

**LOW VF SCHOTTKY RECTIFIER**
**Reverse Voltage - 60 V**
**Forward Current – 30 A**
**Features**

- ◆ Low forward voltage
- ◆ High current capability
- ◆ High forward surge capability
- ◆ Low power losses, High efficiency
- ◆ Guarding for over voltage protection

**APPLICATIONS**

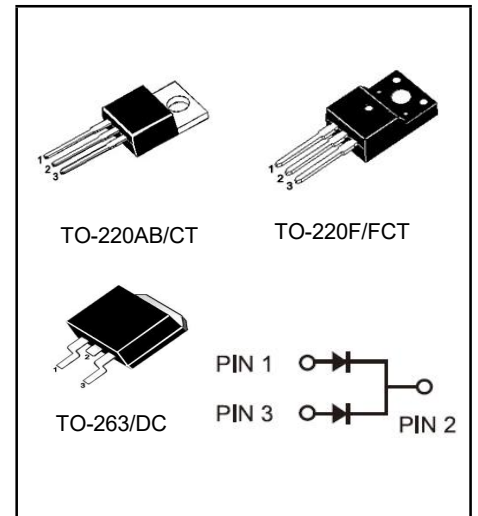
Low VF Schottky barrier rectifier are designed for high frequency,miniature switched mode power supplies such as adapters ,lighting and on-board DC/DC conerters

**MECHANICAL DATA**

- ◆ Case: Molded plastic
- ◆ Polarity: As marked
- ◆ Mounting Position: Any
- ◆ Molded Plastic: UL Flammability Classification Rating 94V-0
- ◆ Lead free in compliance with EU RoHS 2011/65/EU directive
- ◆ Solder bath temperature 275°C maximum,10s per JESD 22-B106

**Primary Characteristic**

<b>I<sub>o</sub></b>	<b>2*15A</b>
<b>V<sub>RRM</sub></b>	<b>60V</b>
<b>I<sub>FSM</sub></b>	<b>250A</b>
<b>V<sub>F</sub></b>	<b>0.47V</b>
<b>T<sub>J</sub> Max</b>	<b>150°C</b>


**Maximum Ratings (Per Leg) at Ta=25°C unless otherwise specified**

Characteristics		Symbol	Value	Unit
Maximum Repetitive Peak Reverse Voltage		V <sub>RRM</sub>	60	V
Working Peak Reverse Voltage		V <sub>RWM</sub>	42	V
Maximum DC Blocking Voltage		V <sub>DC</sub>	60	V
Maximum Average Forward Rectified Current	Per Leg	I <sub>o</sub>	15	A
	Total		30	
Peak Forward Surge Current,8.3 ms Single Half Sine-wave Superimposed on Rated Load (JEDEC method)		I <sub>FSM</sub>	250	A
Operating Temperature Range		T <sub>J</sub>	-50 to +150	°C
Storage Temperature Range		T <sub>STG</sub>	-50 to +150	°C
Typical Thermal Resistance (Note1) TO-220AB,TO-263 TO-220F		R <sub>θJC</sub>	2 4	°C/W

Note1: Thermal resistance from Junction to case per leg mounted on heatsink.

**Electrical Characteristics (Per Leg) unless otherwise specified**

Characteristics		Symbol	Value		Unit
Forward Voltage Drop(Note2)		V <sub>F</sub>	Typ.	Max.	V
at I <sub>F</sub> =5A	TA=25°C		0.40	0.45	
	TA=125°C		0.31	-	
at I <sub>F</sub> =10A	TA=25°C		0.46	0.53	
	TA=125°C		0.39	-	
at I <sub>F</sub> =15A	TA=25°C		0.52	0.60	
	TA=125°C		0.47	-	
Maximum Reverse Current at V <sub>R</sub> =60V	TA=25°C		I <sub>R</sub>	25	
	TA=125°C		17	-	mA

Note2:Pulse test: 300 μs pulse width, 1 % duty cycle

**Ratings and Characteristic Curves**

FIG.1 MAXIMUM FORWARD CURRENT DERATING CURVE

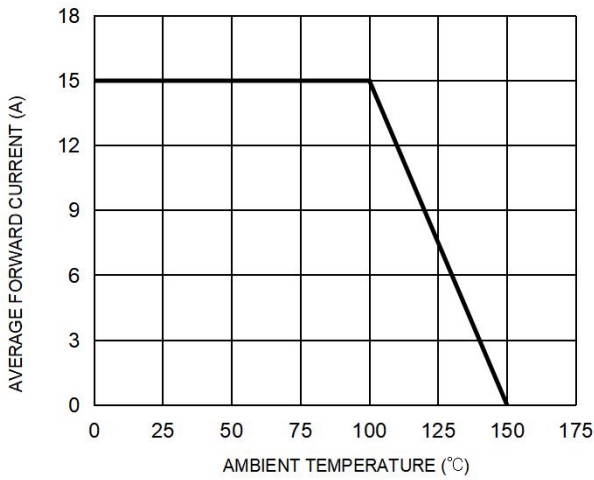


FIG. 2 MAXIMUM NON-REPETITIVE FORWARD SURGE CURRENT PER LEG

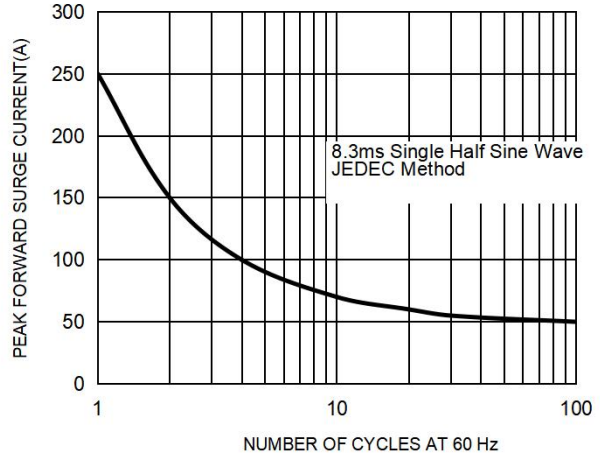


FIG. 3 TYPICAL FORWARD CHARACTERISTICS PER LEG

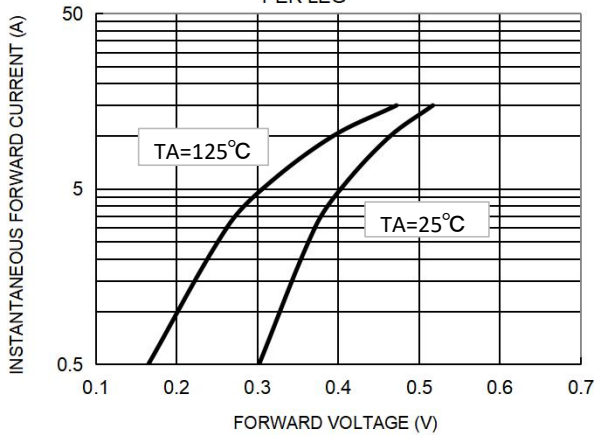
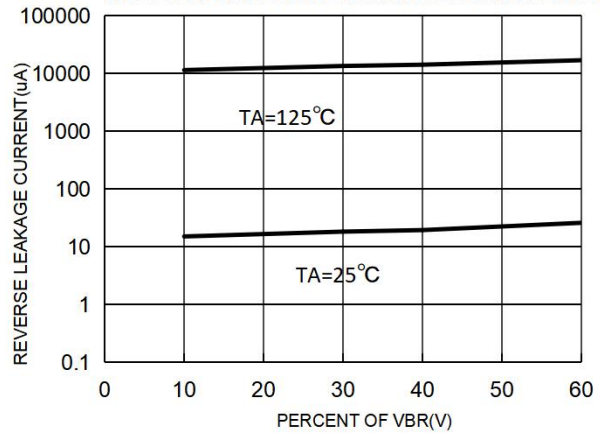
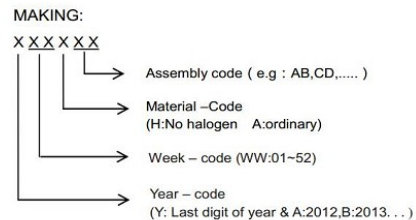
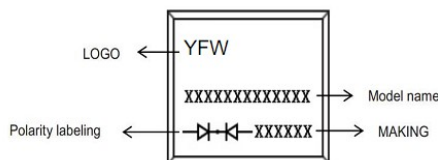


FIG. 4 TYPICAL REVERSE CHARACTERISTICS PER LEG



**Marking On The Body**



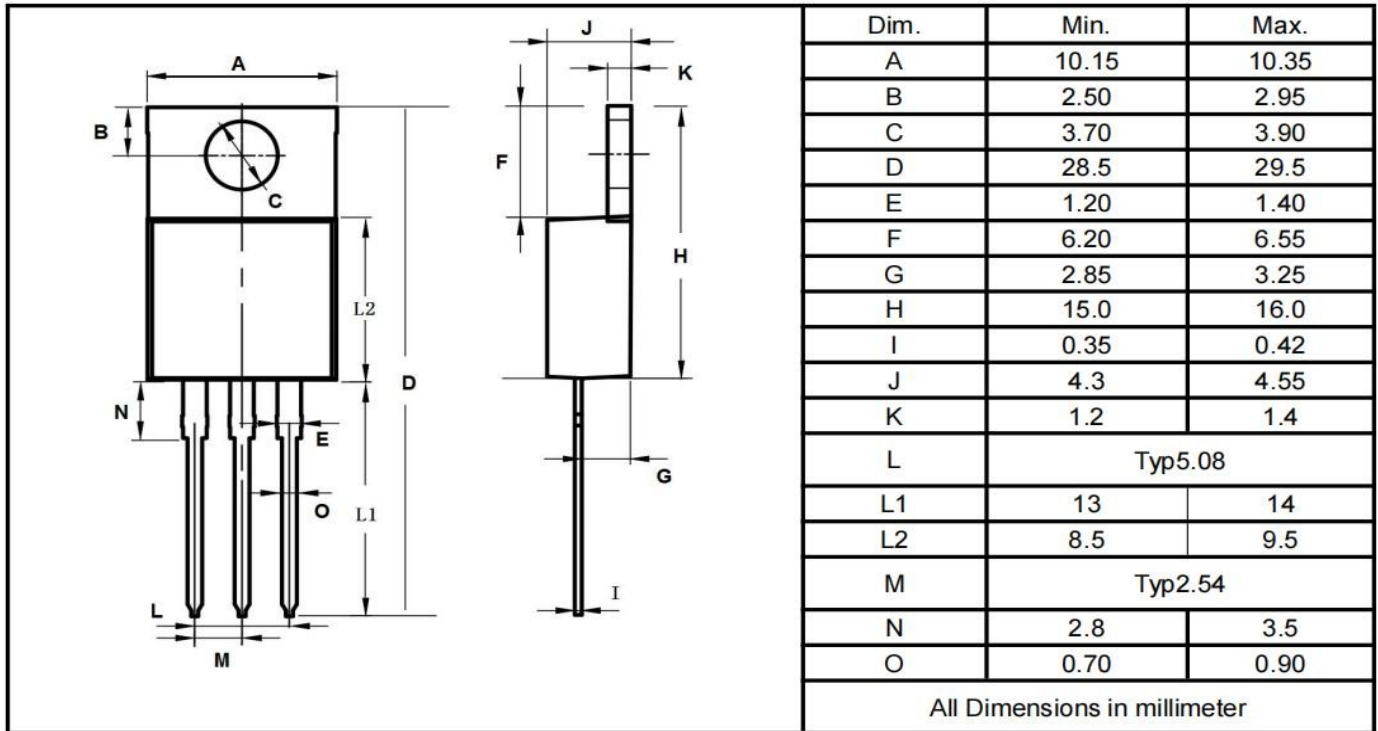
**Ordering Information**

Part Number	Package	Unit Weight	Base Quantity	Delivery mode
SRT30L60CT	TO-220AB	0.07oz(1.96g)	50 pcs / tube	1000pcs/box 5000pcs/carton
SRT30L60FCT	TO-220F	0.06oz(1.74g)	50 pcs / tube	1000pcs/box 5000pcs/carton
SRT30L60DC	TO-263	0.04oz(1.16g)	800 pcs / reel	1600pcs/box 4000pcs/carton

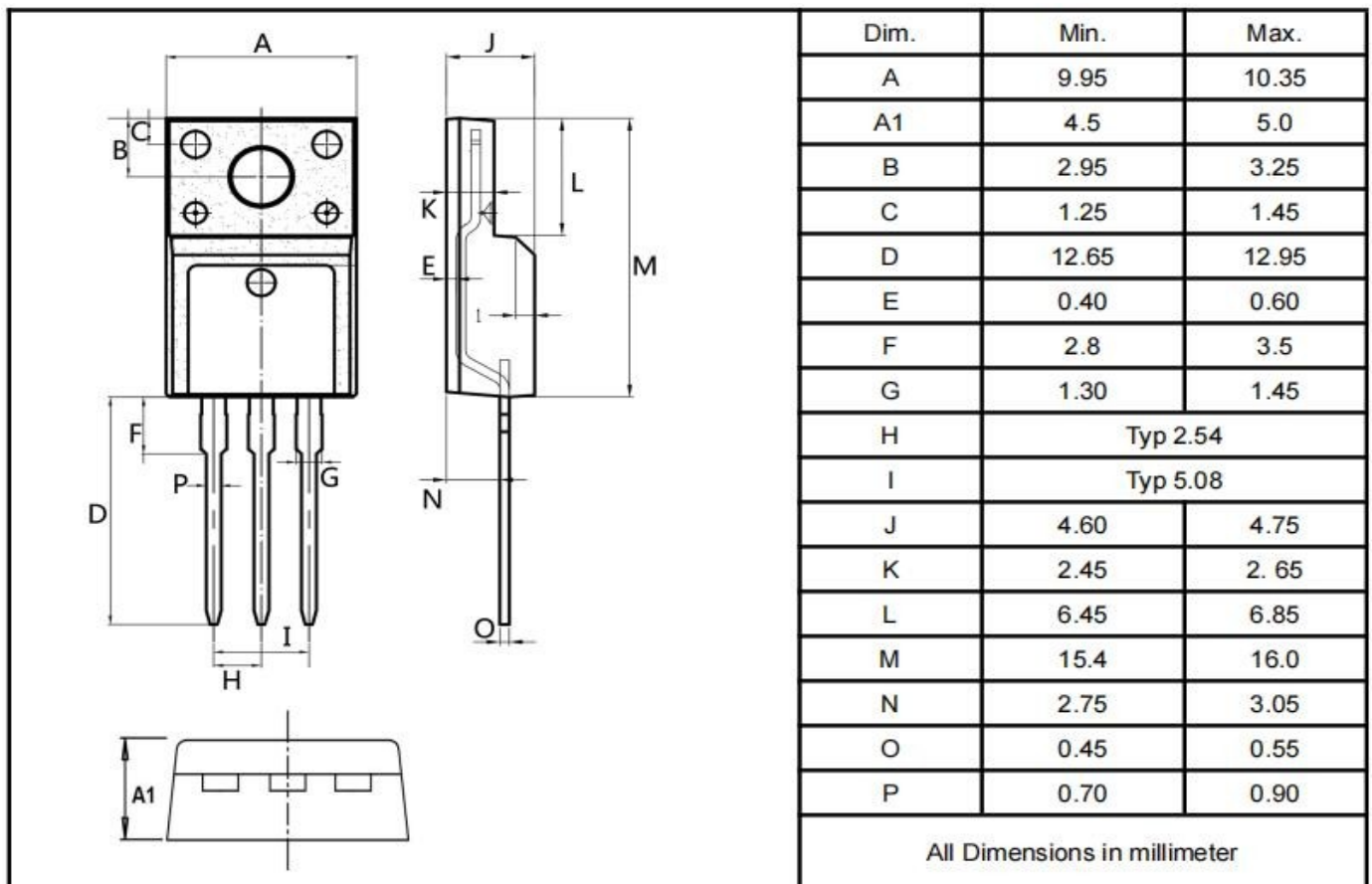
Note: For Halogen Free molding compound, add "H" suffix to part number above.

Package Outline Dimensions Millimeters

TO-220AB



TO-220F



Package Outline Dimensions Millimeters

TO-263

