

**Fast recovery high voltage diodes**

**Reverse Voltage – 8KV**

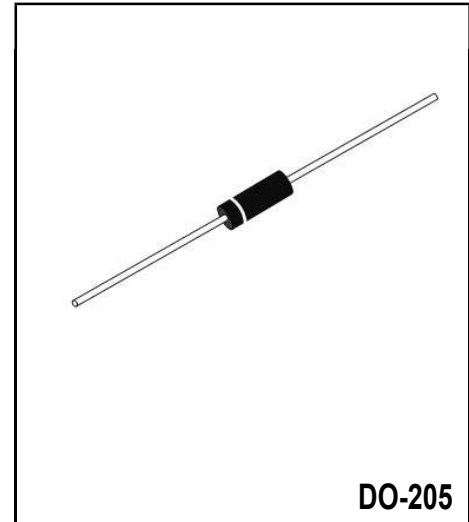
**Forward Current –5mA**

**FEATURES**

- ◆Supersmall size
- ◆High reliability
- ◆High speed switching
- ◆Epoxy meets UL94V-0 flammability rating

**MECHANICAL DATA**

- ◆Case: Molded Plastic Body
- ◆Terminals: Pure tin plated leads, solderable per J-STD-002 and JESD22-B102, E3 suffix for consumer grade, meet JESD201 class 1A whisker test.



Parameter		Symbols	2CL71M	Units
Repetitive peak reverse voltage		$V_{RRM}$	8	KV
Non-Repetitive peak reverse voltage		$V_{RMS}$	10	KV
Average forward current	60Hz half-sine wave, Resistance load, $T_a=25^{\circ}C$	$I_{F(AV)}$	5	mA
Surge(Non-repetitive)forward current	60Hz half-sine wave, 1 cycle, $T_a=25^{\circ}C$	$I_{FSM}$	0.5	A
Peak forward voltage	$I_{FM}=10mA$	$V_{FM}$	30	V
Peak reverse current $V_{RM}=V_{RRM}$	$T_a=25^{\circ}C$	$I_{RRM}$	2	$\mu A$
	$T_a=100^{\circ}C$		5	
Reverse recovery time	$I_F=2mA, I_{RM}=4mA$	$T_{rr}$	0.08	$\mu S$
Operating ambient temperature		$T_a$	-40 ~ +100	$^{\circ}C$
Storage Temperature Range		$T_{stg}$	-40 ~ +120	$^{\circ}C$
Virtual junction temperature		$T_{(vj)}$	120	$^{\circ}C$

Typical characteristics

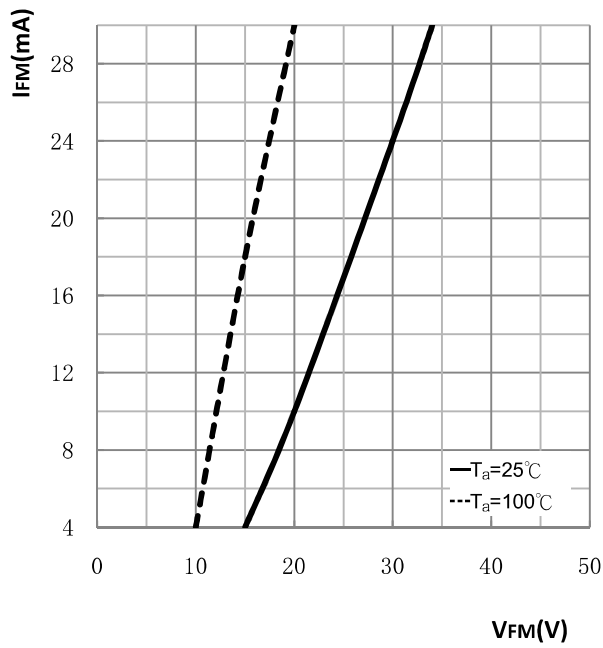


Figure 1. Forward characteristics

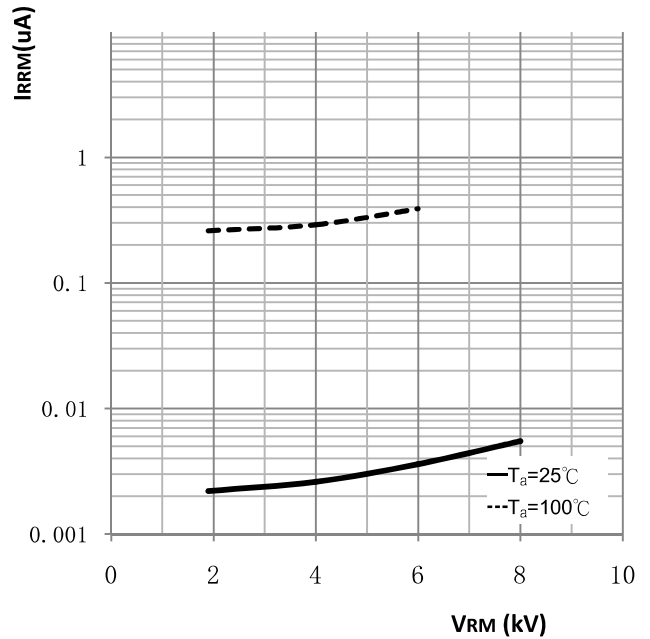


Figure 2. Reverse characteristics

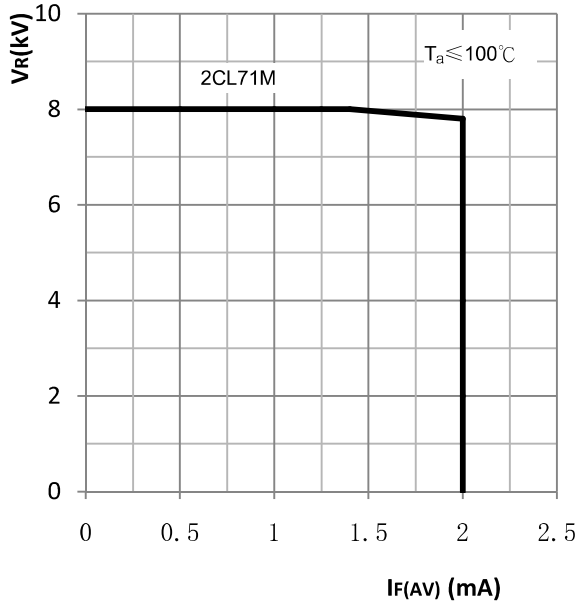


Figure 3.  $V_R$ - $I_{F(AV)}$  Curve

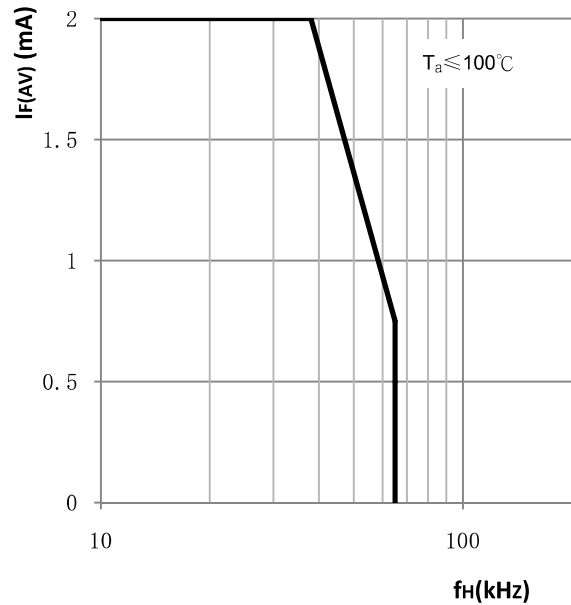
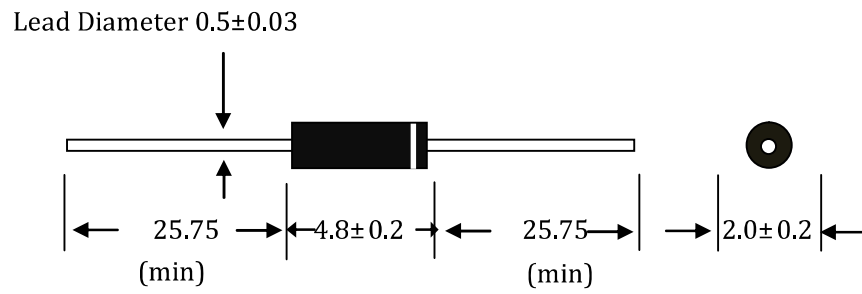


Figure 4.  $I_{F(AV)}$ - $f_H$  Curve

**Package Outline DO-205**



**Summary of Packing Options**

Package	Packing Description	Packing Quantity	Industry Standard
DO-205	BOX	5000	EIA-481-1