

**High Voltage Silicon Diodes**

**Reverse Voltage - 8kv**

**Forward Current - 500mA**

**Features**

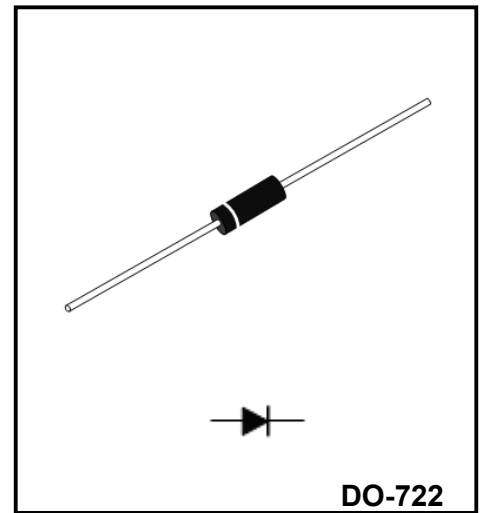
◆High reliability

**Applications**

◆Rectification for high voltage power supply of magnetron in Micro wave oven and others

**Mechanical data**

- ◆Case: Molded Plastic Body
- ◆Epoxy meets UL 94V-0 flammability rating
- ◆Terminals: Pure tin plated leads, solderable per J-STD-002 and JESD22-B102, E3 suffix for consumer grade, meet JESD201 class 1A whisker test.
- ◆Polarity: Color band denotes cathode end

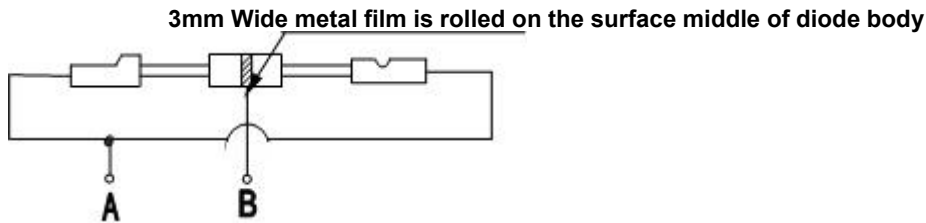


**Maximum rating (Ta=25°C unless otherwise noted)**

Parameter		Symbol	YFWH-08	Unit
Repetitive peak reverse voltage		$V_{RRM}$	8	kV
Average forward current	60Hz half-sine wave, Resistance load, $T_a \leq 60^\circ\text{C}$	$I_{F(AV)}$	500	mA
Forward surge current	60Hz half-sine wave, 1cycle, $T_a = 25^\circ\text{C}$	$I_{FSM}$	50	A
Reverse surge current	$W_p = 1\text{ms}$ , Rectangular-wave, One-shot, $T_a = 25^\circ\text{C}$	$I_{RSM}$	150	mA
Peak forward voltage	$I_{FM} = 500\text{mA}$	$V_{FM}$	$\leq 12$	V
Peak reverse current	$V_{RM} = V_{RRM}$	$I_{RRM1}$	$\leq 10$	$\mu\text{A}$
Avalanche breakdown voltage	$I_R = 100\mu\text{A}$	$V_{BR}$	$\geq 8.5$	kV
Reverse recovery time	$I_F = I_R = 500\text{mA}$ , 90% recovery point	$t_{rr}$	0.04	us
Virtual junction temperature		$T_{(vj)}$	150	$^\circ\text{C}$
Storage temperature		$T_{stg}$	-40 ~ +130	$^\circ\text{C}$

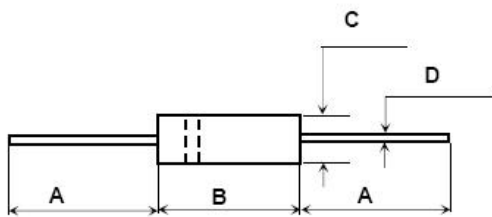
Notes: Cooling Requirement: Cathode terminal is fastened to radiating fin that size is more than 50mm×50mm×0.6mm Wind-cooled velocity is more than 0.5m/s

**Safety Test**



1. Insulation Resistance Test: 500V DC voltage is added between A and B. The measurement by insulation resistance meter is big than 1000MΩ.
2. Resistance To Voltage Strength Test: 15kV half-sine wave voltage is added between A and B for one minute and no breakdown or arc in insulation oil.

**Package outline dimensions**



Dim.	Inches		Millimeters	
	Min.	Max.	Min.	Max.
A	0.787		20	
B	0.846	0.886	21.5	22.5
C	0.276	0.315	7.0	8.0
D	0.046	0.048	1.17	1.23

**ORDERING INFORMATION**

Package	Packing Method	Packing Quantity	Industry Standard
DO-722	Bulk	500pcs/Box	EIA-481-1
DO-722	Tape	5000pcs/Box	EIA-481-1