

# MICRO D CONNECTORS



 **SUNGJIN C&T CO.,LTD.**

SUNGJIN CONNECTOR & CONNECTION TECHNOLOGY CO., LTD.

# Micro-D Connectors

## MICRO-D Metal Shell Connector

**A**

MICRO-D Wire Metal Connector	6~7
MICRO-D Solder Cup Type Connector	8~9
MICRO-D PC Tail Type Connector	10~11



## MICRO-D Waterproof Connector

**B**

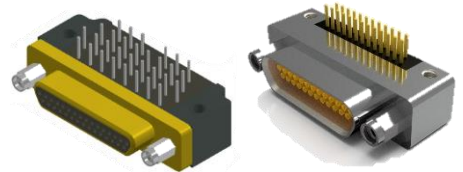
MICRO-D Cable Type Connector	12~13
MICRO-D Solder Cup Type Connector	14~15
MICRO-D PC Tail Type Connector	16~17



## MICRO-D Board Mount Right Angle Connector

**C**

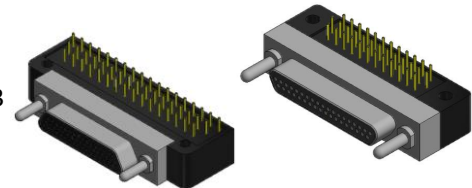
MICRO-D Board Mount Right Angle Connector	18~21
---	-------



## MICRO-D Board Mount Right Angle Filter Connector

**D**

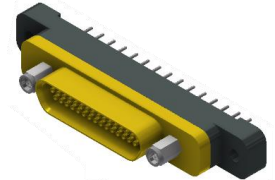
MICRO-D Board Mount Right Angle Filter Connector	22~23
--	-------



## MICRO-D Board Mount Straight Connector

**E**

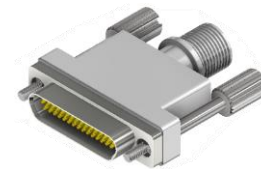
MICRO-D Board Mount Straight Connector	24~27
--	-------



## MICRO-D Backshell - I

**F**

MICRO-D Backshell - I	28~29
-----------------------	-------



## MICRO-D Backshell - II

**G**

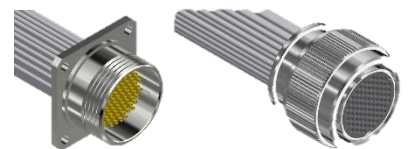
MICRO-D Backshell - II	30~32
------------------------	-------



## MICRO-D Circular Cable Connector

**H**

MICRO-D Circular Cable Connector	33~36
----------------------------------	-------



★ Sungjin is able to customize other types of Micro-D connectors that are not in the catalog, please contact us.



**SUNGJIN CONNECTOR & CONNECTION TECHNOLOGIES**

TEL : 82-31-310-1700 FAX : 82-31-310-1701 [www.sjcnc.com](http://www.sjcnc.com)

# Micro-D Connectors

MICRO-D Accessories

MICRO-D Accessories

37~38



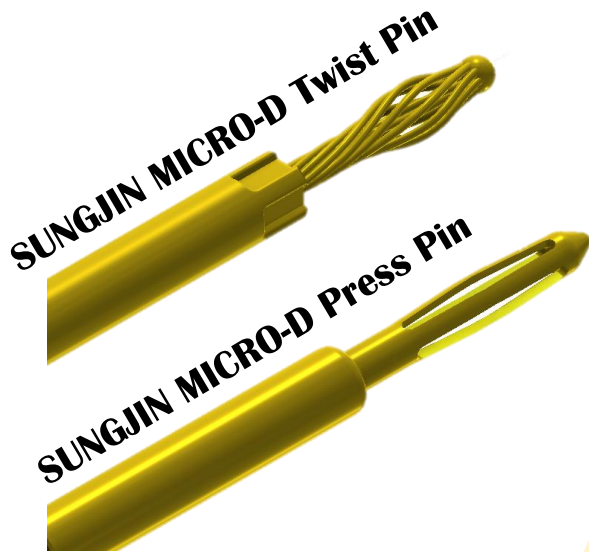
★ Sungjin is able to customize other types of Micro-D connectors that are not in the catalog, please contact us.



**SUNGJIN CONNECTOR & CONNECTION TECHNOLOGIES**

TEL : 82-31-310-1700 FAX : 82-31-310-1701 [www.sjcnt.co.kr](http://www.sjcnt.co.kr)

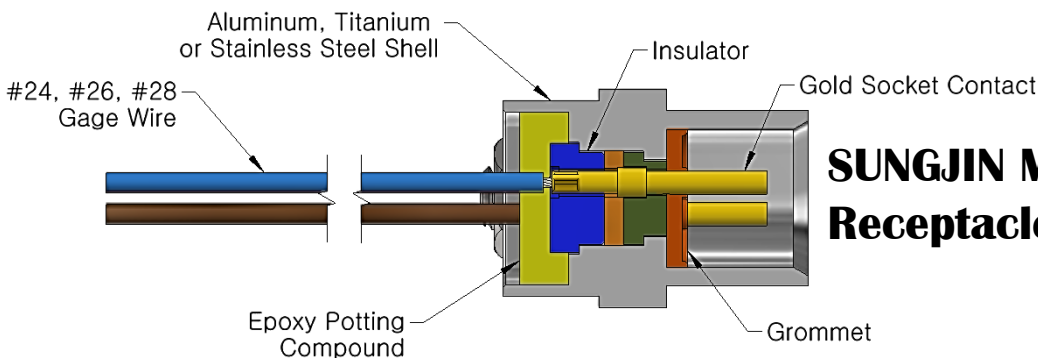
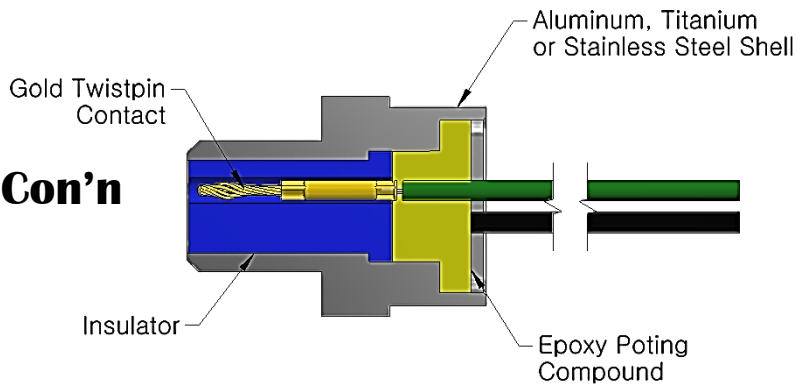
# Micro-D Contact Design



Sungjin's Micro Miniature connectors apply pins for minimum contact resistance and excellent performance. Micro Miniature connectors provide great performance for the smallest resistance of the # 24 pin at .050 inch contact spacing which has strong performance against shock and vibration.

Sungjin's Micro Miniature connectors are designed to meet the specifications of MIL-DTL-83513 and provide the minimum physical space and maximum reliability for strong shock and vibration.

## SUNGJIN MICRO-D Con'n Plug



## SUNGJIN MICRO-D Con'n Receptacle

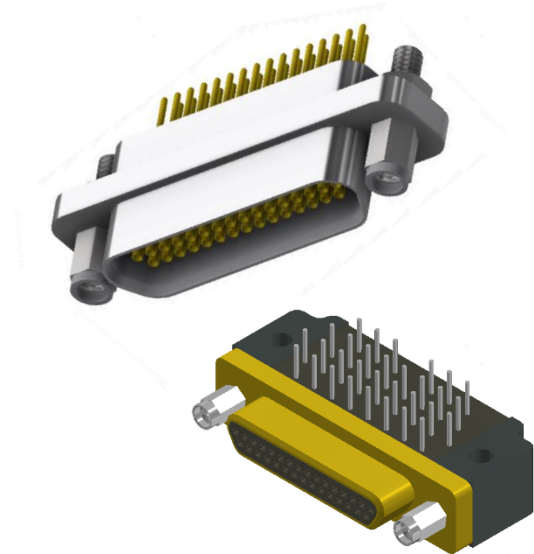
★ Sungjin is able to customize other types of Micro-D connectors that are not in the catalog, please contact us.



**SUNGJIN CONNECTOR & CONNECTION TECHNOLOGIES**

TEL : 82-31-310-1700 FAX : 82-31-310-1701 [www.sjcnc.co.kr](http://www.sjcnc.co.kr)

# Micro-D Connectors



Sungjin' s Micro Miniature connectors meet the specifications of MIL-DTL-83513 and are designed to provide excellent performance for large impact and strong vibration. The Micro Miniature connectors guarantee excellence of contact resistance, dielectric strength, corrosion resistance, shock, vibration, electrical and mechanical performance. The Micro Miniature connectors make high performance regarding to .050 inch contact spacing 3AMP ratings and are machined with aluminum, titanium or stainless steel. Today, designers of all industry fields, including military field, every effort is made to maximize space utilization, and these Micro Miniature connectors can be satisfied your requirements with save space, weight and time.

## PERFORMANCE

<b>Contact Rating</b>	3 AMP maximum.
<b>Test Voltage</b>	600 V, RMS, 60Hz
<b>Operating Temperature</b>	-55° C to +125°C
<b>Insulation Resistance</b>	5,000 mega ohms minimum
<b>Durability</b>	500 connectors mating cycles minimum.
<b>Vibration</b>	20 g's, EIA-364-28, Condition IV
<b>Shock</b>	50 g's, EIA-364-27, Condition E
<b>Salt Spray</b>	48 Hours Salt Spray EIA-364-26, Condition B
<b>Humidity</b>	96 Hours, EIA-364-31 Condition A
<b>Thermal Shock</b>	EIA-364-32, condition I
<b>Contact Resistance</b>	0.065 volt maximum drop @2.5 amps(.026 ohms)
<b>Contact Engaging Force</b>	6.0 ounce maximum, with .0221 diameter test sleeve
<b>Contact Separating Force</b>	0.5 ounce minimum, with .0230 diameter test sleeve

## MATERIALS AND FINISHES

### Shells

Aluminum Alloy 6061 or Stainless Steel, 300 Series, passivated.  
See Ordering Info for Plating Options

### Contacts

- Pins : BeCu alloy strip per ASTM B194
- Sockets : Brass per ASTM B121M or ASTM B16 / B16M or ASTM B453

### Insulators

Engineering Plastics

### Jackscrews, Jack posts and Nuts

300 series stainless steel, passivated

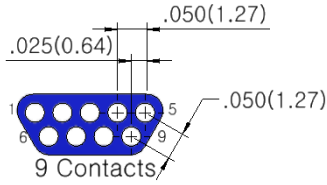
★ Sungjin is able to customize other types of Micro-D connectors that are not in the catalog, please contact us.



**SUNGJIN CONNECTOR & CONNECTION TECHNOLOGIES**

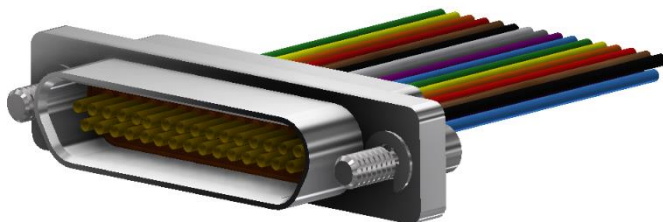
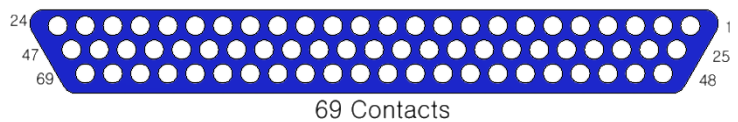
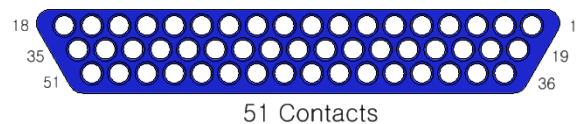
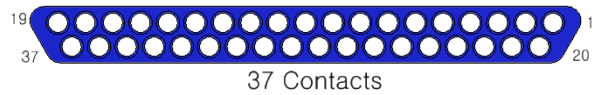
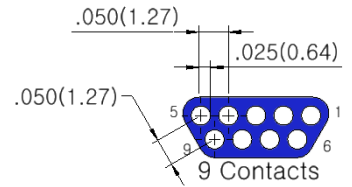
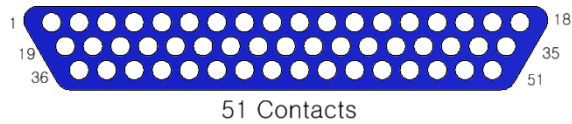
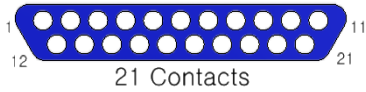
TEL : 82-31-310-1700 FAX : 82-31-310-1701 www.sjcncr.co.kr

# Micro-D Arrangements



## PLUG MATING FACE

Scale 5 : 1



## RECEPTACLE MATING FACE

Scale 5 : 1

★ Sungjin is able to customize other types of Micro-D connectors that are not in the catalog, please contact us.



**SUNGJIN CONNECTOR & CONNECTION TECHNOLOGIES**

TEL : 82-31-310-1700 FAX : 82-31-310-1701 www.sjcncr.co.kr

# Micro-D Wire Metal Shell Connector

A



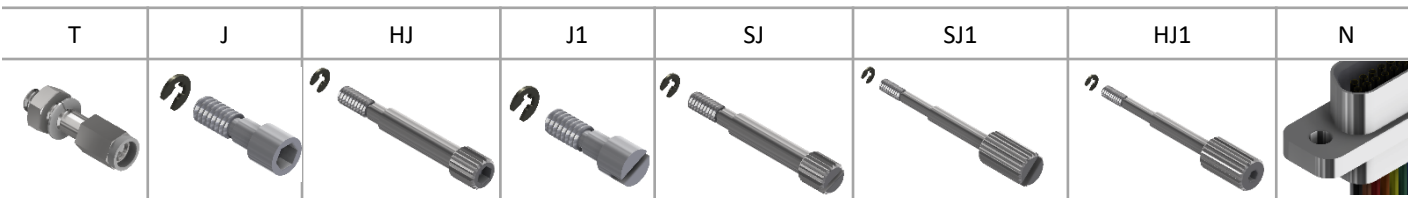
These connectors feature gold-plated Pin contacts and mil spec crimp termination.

Specify aluminum shells for best availability.

Choose the wire type to fit your application space grade insulated wire M22959/11.

Part Number	SJMD	2	-31	P	-J	A3	C	910
<b>Series</b>	SJMD = SUNGJIN MICRO-D							
<b>Body Style</b>	2 = Nickel, 2 ROW 3 = Nickel, 3 ROW 4 = Cadmium, 2 ROW 5 = Cadmium, 3 ROW							
<b>Contact Layout</b>	9, 15, 21, 25, 31, 37, 51, 69							
<b>Contact Style</b>	P = Pin S = Socket							
<b>Hardware</b>	T, J, HJ, J1, SJ, SJ1, HJ1, N (See table 1/ see page 29)							
<b>Wire Type</b>	A3 = M22759/11-xxx A2 = M16878/4							
<b>Wire Color</b>	C = Ten Color Repeating W = White							
<b>Wire Length(mm)</b>	150 = 152mm, 910 = 915mm,	300 = 305mm, 1800 = 1820mm	450 = 455mm,	610 = 610mm				

Table 1 / Hardware



★ Sungjin is able to customize other types of Micro-D connectors that are not in the catalog, please contact us.



**SUNGJIN CONNECTOR & CONNECTION TECHNOLOGIES**

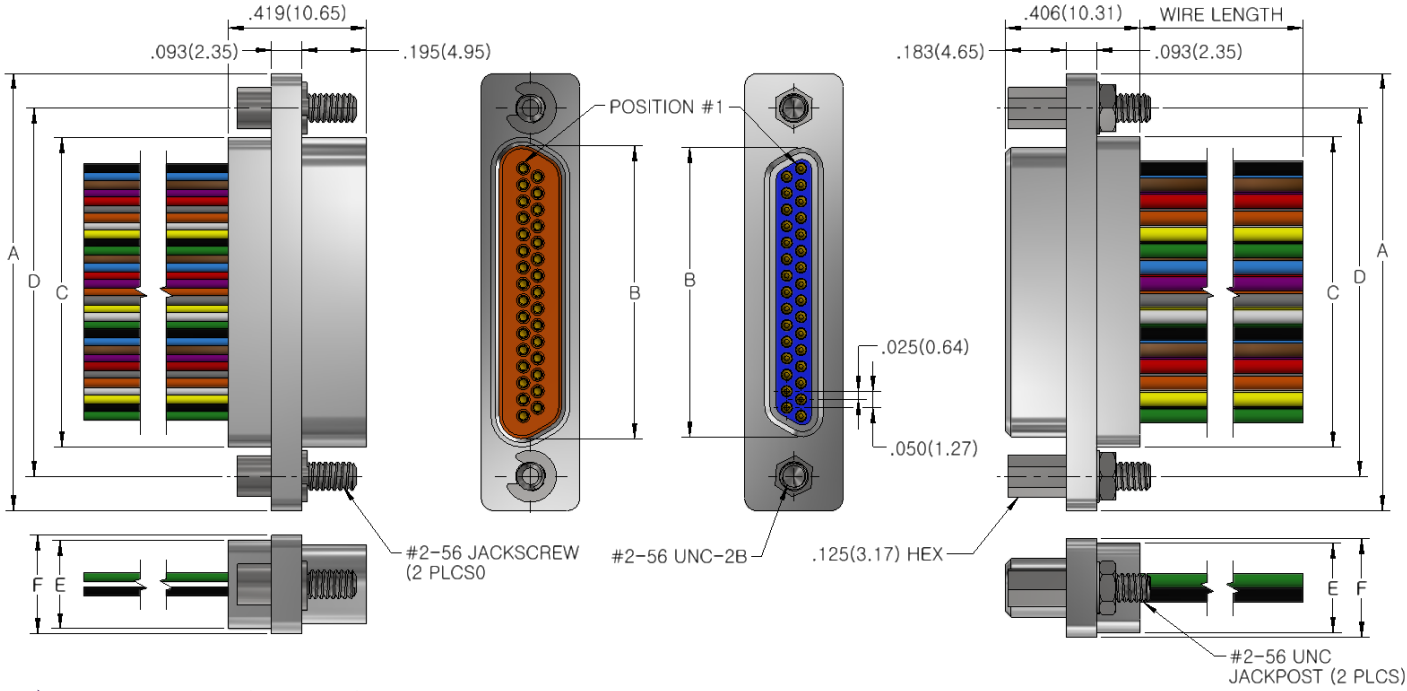
TEL : 82-31-310-1700 FAX : 82-31-310-1701 www.sjcncr.co.kr

# Micro-D Wire Metal Shell Connector

# A

## SJMD2-31S-JA3C910

## SJMD2-31P-JA3C910



► Dimensions in inches(millimeters)

### DIMENSIONS

SIZE	A	B		C	D	E POTTING WELL MAX	F
		Pin	Socket				
9	.775(19.68)	.3338(8.48)	.3342(8.50)	.390(9.91)	.565(14.35)	.270(6.85)	.298(7.56)
15	.925(23.50)	.4838(12.29)	.4842(12.30)	.540(13.72)	.715(18.16)		
21	1.075(27.31)	.6338(16.10)	.6342(16.11)	.690(17.53)	.865(21.97)		
25	1.175(29.85)	.7338(18.64)	.7342(18.70)	.790(20.07)	.965(24.51)		
31	1.325(33.66)	.8838(22.45)	.8842(22.50)	.940(23.88)	1.115(28.32)		
37	1.475(37.47)	1.0338(26.26)	1.0342(26.30)	1.090(27.69)	1.265(32.13)	.310(7.87)	.341(8.66)
51	1.425(36.20)	.9838(24.99)	.9842(25.00)	1.040(26.42)	1.215(30.86)		
69	1.725(43.81)	1.284(32.61)	1.29(32.70)	1.340(34.03)	1.515(38.48)		

### 1. Materials and Finishes

1-1. Connector Shell	Aluminum Alloy or Stainless Steel
1-2. Insulator	Glass Filled Thermoplastic
1-3. Pin, Socket Contact	Copper Alloy

### 2. Performance Specifications

2-1. Contact Rating	3 AMP
2-2. DWV	600 VAC Sea level
2-3. Insulation Resistance	5,000 MΩ minimum
2-4. Operating Temperature	-55° C to +125° C
2-5. Shock, Vibration	50 g., 20g.

★ Sungjin is able to customize other types of Micro-D connectors that are not in the catalog, please contact us.



## SUNGJIN CONNECTOR & CONNECTION TECHNOLOGIES

TEL : 82-31-310-1700 FAX : 82-31-310-1701 www.sjcnc.co.kr



# Micro-D Solder Type Metal Shell Connector

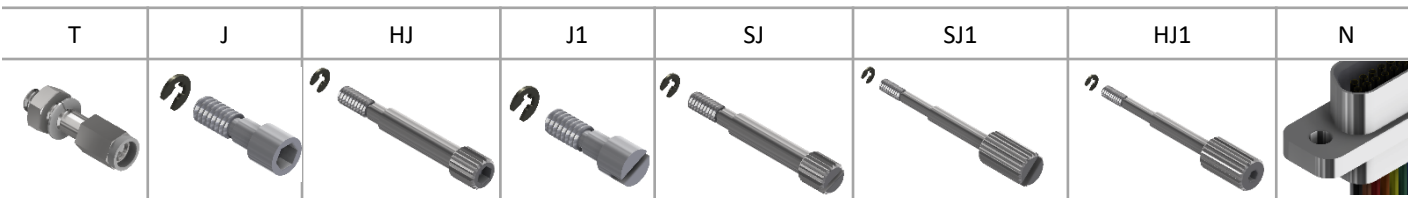
A



Metal Shell Solder Cup M83513 Connectors feature gold-plated SUNGJIN Pin non-removable contacts for solder termination to AWG #26 or #24 wire.

Part Number	SJMD	2	31	P	J	S24
<b>Series</b>	SJMD = SUNGJIN MICRO-D					
<b>Body Style</b>	2 = Nickel, 2 ROW 3 = Nickel, 3 ROW 4 = Cadmium, 2 ROW 5 = Cadmium, 3 ROW					
<b>Contact Layout</b>	9, 15, 21, 25, 31, 37, 51, 69					
<b>Contact Style</b>	P = Pin S = Socket					
<b>Hardware</b>	T, J, HJ, J1, SJ, SJ1, HJ1, N (See table 1/ see page 29)					
<b>Contact Type</b>	S24 = Size #24 Solder Cup Contact S26 = Size #26 Solder Cup Contact					

Table 1 / Hardware



★ Sungjin is able to customize other types of Micro-D connectors that are not in the catalog, please contact us.



**SUNGJIN CONNECTOR & CONNECTION TECHNOLOGIES**

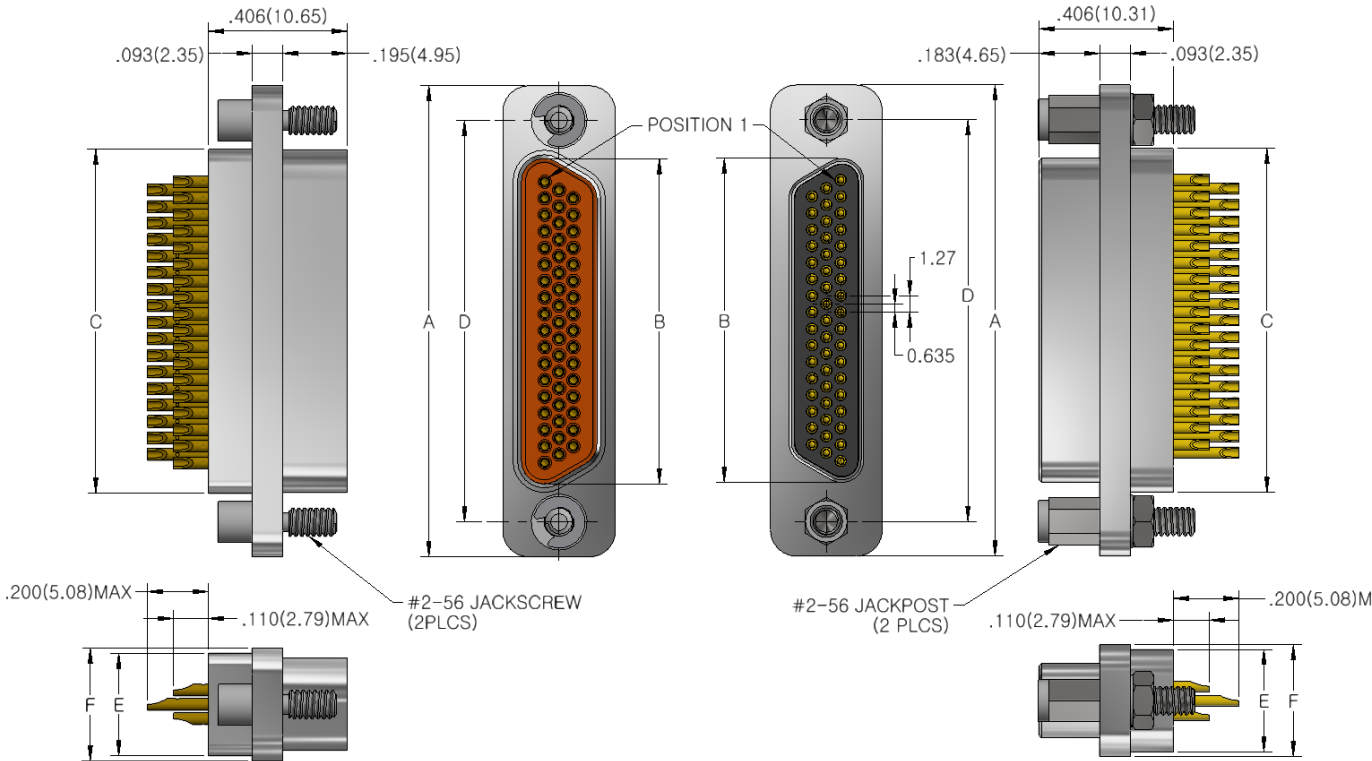
TEL : 82-31-310-1700 FAX : 82-31-310-1701 www.sjcncr.co.kr

# Micro-D Solder Type Metal Shell Connector

A

**SJMD3-51S-JS24**

**SJMD3-51P-TS24**



► Dimensions in inches(millimeters)

## DIMENSIONS

SIZE	A	B		C	D	E	F
		Pin	Socket				
9	.775(19.68)	.3338(8.48)	.3342(8.50)	.390(9.91)	.565(14.35)	.270(6.85)	.298(7.56)
15	.925(23.50)	.4838(12.29)	.4842(12.30)	.540(13.72)	.715(18.16)		
21	1.075(27.31)	.6338(16.10)	.6342(16.11)	.690(17.53)	.865(21.97)		
25	1.175(29.85)	.7338(18.64)	.7342(18.70)	.790(20.07)	.965(24.51)		
31	1.325(33.66)	.8838(22.45)	.8842(22.50)	.940(23.88)	1.115(28.32)		
37	1.475(37.47)	1.0338(26.26)	1.0342(26.30)	1.090(27.69)	1.265(32.13)	.310(7.87)	.341(8.66)
51	1.425(36.20)	.9838(24.99)	.9842(25.00)	1.040(26.42)	1.215(30.86)		
69	1.725(43.81)	1.284(32.61)	1.29(32.70)	1.340(34.03)	1.515(38.48)		

### 1. Materials and Finishes

1-1. Connector Shell	Aluminum Alloy or Stainless Steel
1-2. Insulator	Glass Filled Thermoplastic
1-3. Pin, Socket Contact	Copper Alloy

### 2. Performance Specifications

2-1. Contact Rating	3 AMP
2-2. DWV	600 VAC Sea level
2-3. Insulation Resistance	5,000 MΩ minimum
2-4. Operating Temperature	-55° C to +125° C
2-5. Shock, Vibration	50 g., 20g.

★ **Sungjin is able to customize other types of Micro-D connectors that are not in the catalog, please contact us.**

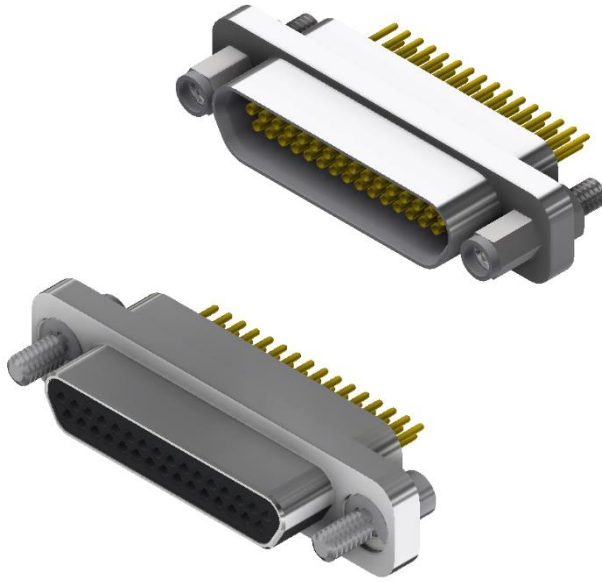


**SUNGJIN CONNECTOR & CONNECTION TECHNOLOGIES**

TEL : 82-31-310-1700 FAX : 82-31-310-1701 www.sjcnc.co.kr

# Micro-D PC-Tail Type Metal Shell Connector

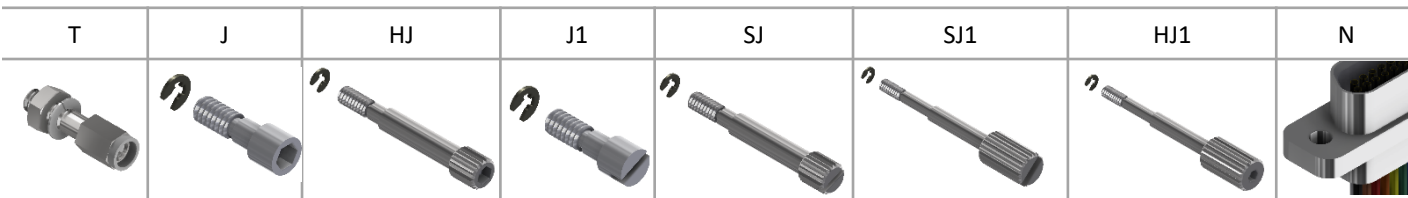
A



High Performance  
SUNGJIN pin contacts  
for best performance.  
PC tails are .020 inch  
diameter. Specify nickel-  
plated shells or  
cadmium plated shells  
for best availability.

Part Number	SJMD	2	31	P	T	P27
<b>Series</b>	SJMD = SUNGJIN MICRO-D					
<b>Body Style</b>	2 = Nickel, 2 ROW 3 = Nickel, 3 ROW 4 = Cadmium, 2 ROW 5 = Cadmium, 3 ROW					
<b>Contact Layout</b>	9, 15, 21, 25, 31, 37, 51, 69					
<b>Contact Style</b>	P = Pin S = Socket					
<b>Hardware</b>	T, J, HJ, J1, SJ, SJ1, HJ1, N (See table 1/ see page 29)					
<b>PC Tail Length</b>	27 = .109(2.76) 35 = .140(3.55) 43 = .172(4.36) 63 = .250(6.35)					

Table 1 / Hardware



★ Sungjin is able to customize other types of Micro-D connectors that are not in the catalog, please contact us.



**SUNGJIN CONNECTOR & CONNECTION TECHNOLOGIES**

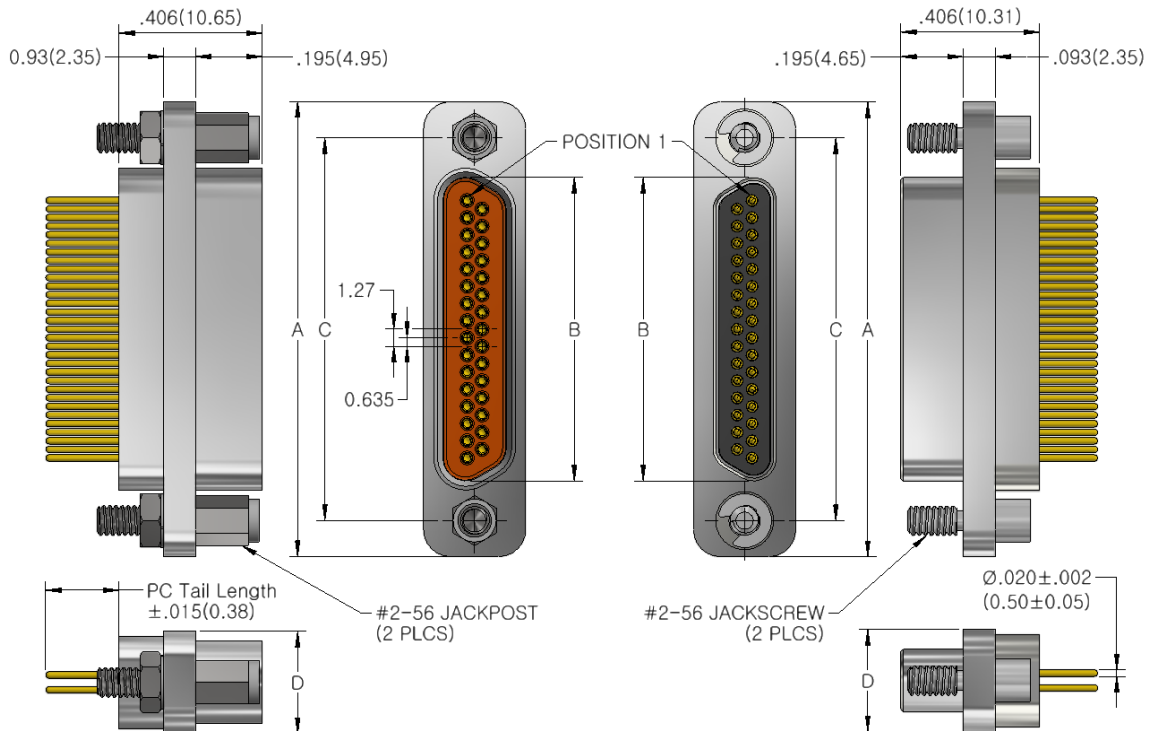
TEL : 82-31-310-1700 FAX : 82-31-310-1701 www.sjcncr.co.kr

# Micro-D PC-Tail Type Metal Shell Connector

# A

## SJMD2-31S-TP27

## SJMD2-31P-JP27



► Dimensions in inches(millimeters)

DIMENSIONS					
SIZE	A	B		C	D
		Pin	Socket		
9	.775(19.68)	.3338(8.48)	.3342(8.50)	.565(14.35)	.298(7.56)
15	.925(23.50)	.4838(12.29)	.4842(12.30)	.715(18.16)	
21	1.075(27.31)	.6338(16.10)	.6342(16.11)	.865(21.97)	
25	1.175(29.85)	.7338(18.64)	.7342(18.70)	.965(24.51)	
31	1.325(33.66)	.8838(22.45)	.8842(22.50)	1.115(28.32)	
37	1.475(37.47)	.1.0338(26.26)	1.0342(26.30)	1.265(32.13)	.341(8.66)
51	1.425(36.20)	.9838(24.99)	.9842(25.00)	1.215(30.86)	
69	1.725(43.81)	1.284(32.61)	1.29(32.70)	1.515(38.48)	

### 1. Materials and Finishes

1-1. Connector Shell	Aluminum Alloy or Stainless Steel
1-2. Insulator	Glass Filled Thermoplastic
1-3. Pin, Socket Contact	Copper Alloy

### 2. Performance Specifications

2-1. Contact Rating	3 AMP
2-2. DWV	600 VAC Sea level
2-3. Insulation Resistance	5,000 MΩ minimum
2-4. Operating Temperature	-55° C to +125° C
2-5. Shock, Vibration	50 g., 20g.

★ Sungjin is able to customize other types of Micro-D connectors that are not in the catalog, please contact us.

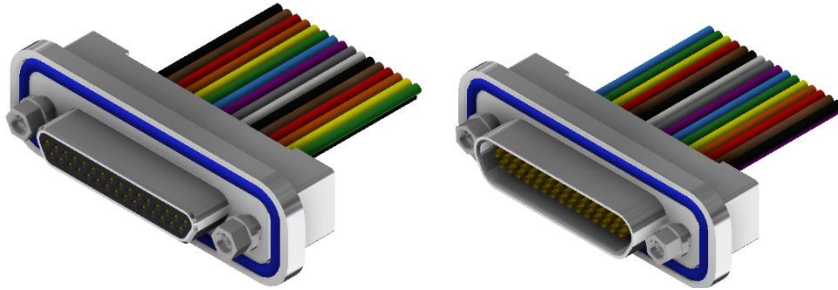


## SUNGJIN CONNECTOR & CONNECTION TECHNOLOGIES

TEL : 82-31-310-1700 FAX : 82-31-310-1701 www.sjcncr.co.kr

# Micro-D Waterproof Cable Type Connector

# B



Specify nickel plated shells or cadmium plated shells for best availability.  
Tested and potted, ready for use.

Part Number	SJMDW	2	31	P	T1	A3	C	910
<b>Series</b>	SJMD = SUNGJIN MICRO-D Waterproof Connector							
<b>Body Style</b>	2 = Nickel, 2 ROW 3 = Nickel, 3 ROW 4 = Cadmium, 2 ROW 5 = Cadmium, 3 ROW							
<b>Contact Layout</b>	9, 15, 21, 25, 31, 37, 51, 69							
<b>Contact Style</b>	P = Pin S = Socket							
<b>Hardware</b>	T, T1, T2, N (See table 1/ see page 29)							
<b>Wire Type</b>	A3 = M22759/11-xxx A2 = M16878/4							
<b>Wire Color</b>	C = Ten Color Repeating W = White							
<b>Wire Length(mm)</b>	150 = 152mm, 910 = 915mm,	300 = 305mm, 1800 = 1820mm	450 = 455mm,	610 = 610mm				

Table 1 / Hardware

T	T1	T2	N
			

★ Sungjin is able to customize other types of Micro-D connectors that are not in the catalog, please contact us.



**SUNGJIN CONNECTOR & CONNECTION TECHNOLOGIES**

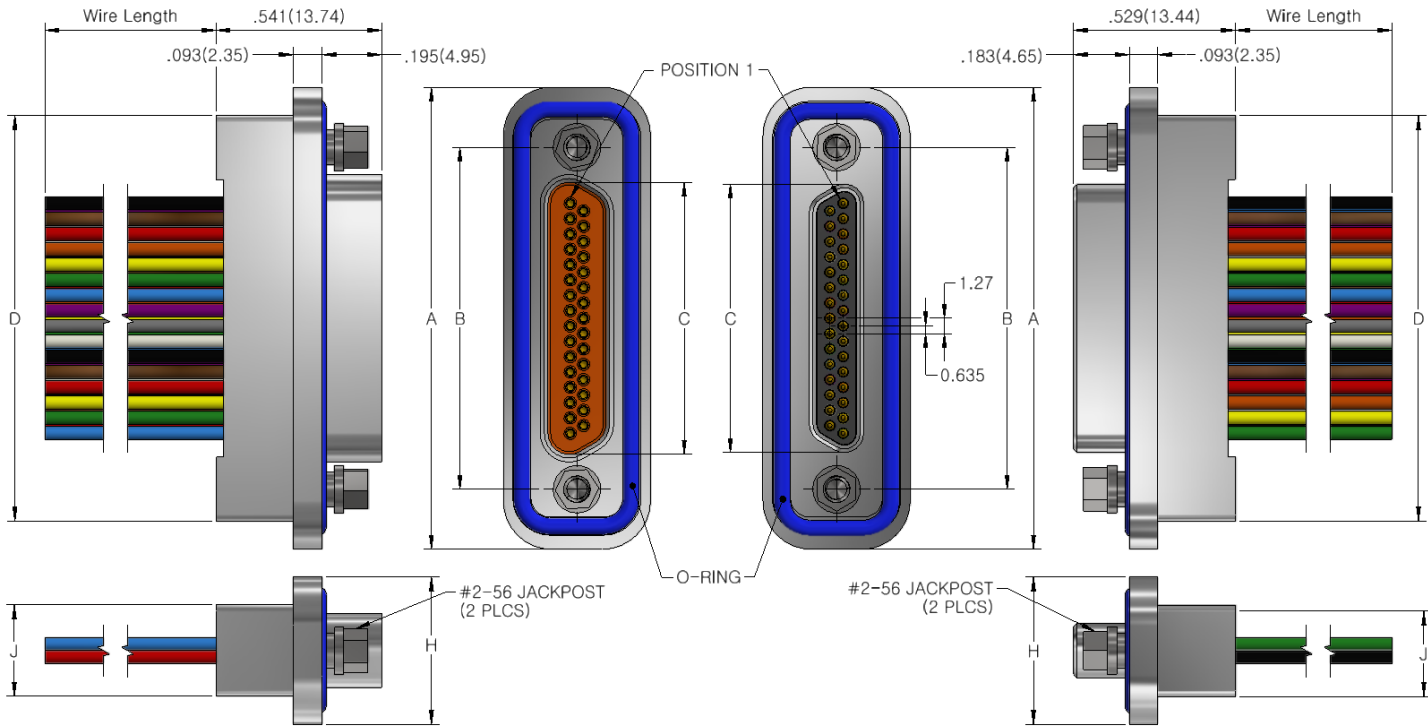
TEL : 82-31-310-1700 FAX : 82-31-310-1701 www.sjcnc.co.kr

# Micro-D Waterproof Cable Type Connector

## B

### SJMDW2-31S-T1A3C910

### SJMDW2-31P-T1A3C910



#### ► Dimensions in inches(millimeters)

#### DIMENSIONS

SIZE	CONTACT ROWS	A	B	C		D	H	J
				Pin	Socket			
9	2	.957(24.30)	.565(14.35)	.334(8.48)	.3342(8.50)	.773(19.63)	.480 (12.19)	.298 (7.56)
15		1.107(28.11)	.715(18.16)	.484(12.29)	.4842(12.30)	.923(23.44)		
21		1.257(31.92)	.865(21.97)	.634(16.10)	.6342(16.11)	1.073(27.25)		
25		1.357(34.46)	.965(24.51)	.734(18.64)	.7342(18.70)	1.173(29.79)		
31		1.507(38.27)	1.115(28.32)	.884(22.45)	.8842(22.50)	1.323(33.60)		
37	1.657(42.08)	1.265(32.13)	1.034(26.26)	1.0342(26.30)	1.477(37.51)	.525 (13.34)	.440 (11.17)	
51	3	1.657(42.08)	1.215(30.86)	.984(24.99)	.9842(25.00)			1.777(45.13)
69		1.957(49.70)	1.515(38.48)	1.284(32.61)	1.29(32.70)			2.219(56.36)

#### 1. Materials and Finishes

1-1. Connector Shell	Aluminum Alloy or Stainless Steel
1-2. Insulator	Glass Filled Thermoplastic
1-3. Pin, Socket Contact	Copper Alloy

#### 2. Performance Specifications

2-1. Contact Rating	3 AMP
2-2. DWV	600 VAC Sea level
2-3. Insulation Resistance	5,000 MΩ minimum
2-4. Operating Temperature	-55° C to +125° C
2-5. Shock, Vibration	50 g., 20g.

★ **Sungjin is able to customize other types of Micro-D connectors that are not in the catalog, please contact us.**

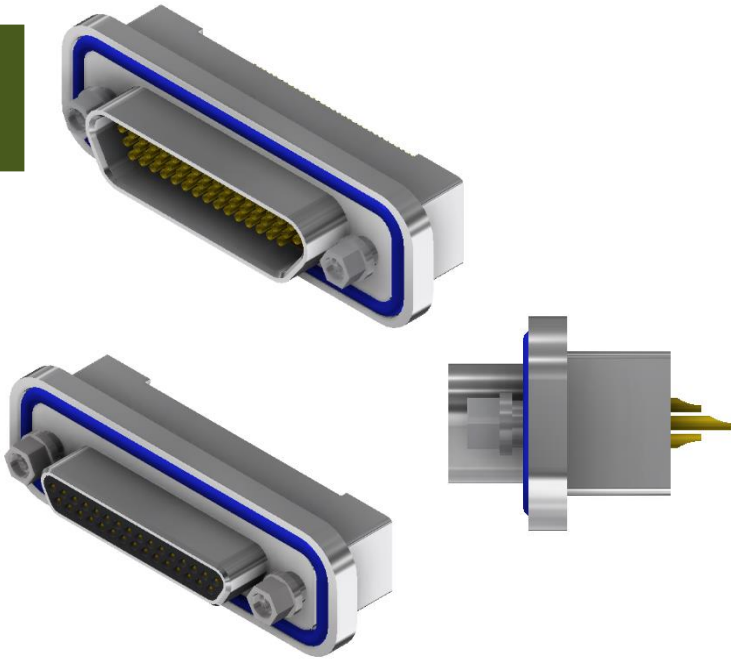


## SUNGJIN CONNECTOR & CONNECTION TECHNOLOGIES

TEL : 82-31-310-1700 FAX : 82-31-310-1701 www.sjcnc.co.kr

# Micro-D Waterproof Solder Cup Type Connector

**B**



Connectors feature gold-plated SUNGJIN Pin contacts for best performance. Use with #26 AWG or smaller wire. Specify nickel-plated shells or cadmium plated shells for best availability. Now Available with #24 AWG Contact – 24 AWG wire offers increased mechanical strength and lower voltage drop.

Part Number	SJMDW	2 – 31	P – T1	S24
<b>Series</b>	SJMD = SUNGJIN MICRO-D Waterproof Connector			
<b>Body Style</b>	2 = Nickel, 2 ROW 3 = Nickel, 3 ROW 4 = Cadmium, 2 ROW 5 = Cadmium, 3 ROW			
<b>Contact Layout</b>	9, 15, 21, 25, 31, 37, 51, 69			
<b>Contact Style</b>	P = Pin S = Socket			
<b>Hardware</b>	T, T1, T2, N (See table 1/ see page 29)			
<b>Contact Type</b>	S24 = Size #24 Solder Cup Contact S26 = Size #26 Solder Cup Contact			

Table 1 / Hardware

T	T1	T2	N

★ Sungjin is able to customize other types of Micro-D connectors that are not in the catalog, please contact us.



**SUNGJIN CONNECTOR & CONNECTION TECHNOLOGIES**

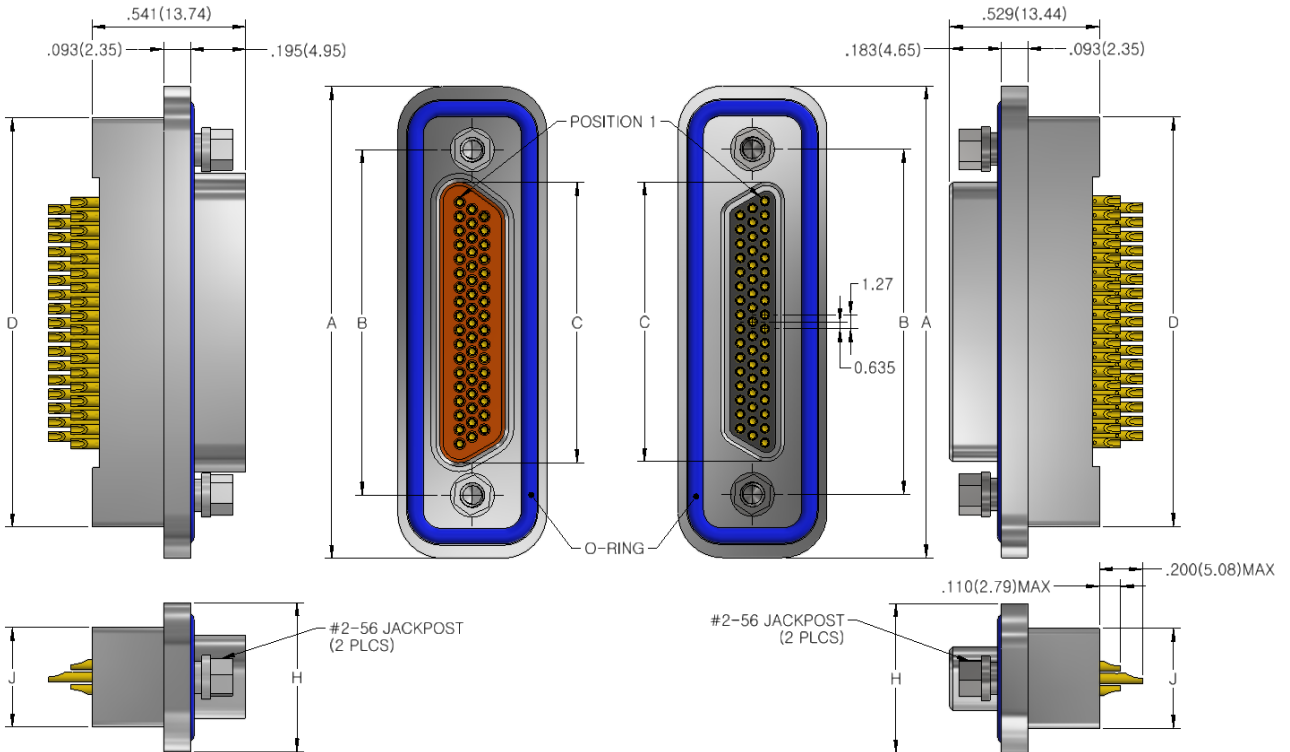
TEL : 82-31-310-1700 FAX : 82-31-310-1701 www.sjcncr.co.kr

# Micro-D Waterproof Solder Cup Type Connector

# B

## SJMDW2-31S-T1S24

## SJMDW2-31P-T1S24



► Dimensions in inches(millimeters)

DIMENSIONS								
SIZE	CONTACT ROWS	A	B	C		D	H	J
				Pin	Socket			
9	2	.957(24.30)	.565(14.35)	.334(8.48)	.3342(8.50)	.773(19.63)	.480 (12.19)	.298 (7.56)
15		1.107(28.11)	.715(18.16)	.484(12.29)	.4842(12.30)	.923(23.44)		
21		1.257(31.92)	.865(21.97)	.634(16.10)	.6342(16.11)	1.073(27.25)		
25		1.357(34.46)	.965(24.51)	.734(18.64)	.7342(18.70)	1.173(29.79)		
31		1.507(38.27)	1.115(28.32)	.884(22.45)	.8842(22.50)	1.323(33.60)		
37		1.657(42.08)	1.265(32.13)	1.034(26.26)	1.0342(26.30)	1.477(37.51)		
51	3	1.657(42.08)	1.215(30.86)	.984(24.99)	.9842(25.00)	1.777(45.13)	.525 (13.34)	.440 (11.17)
69		1.957(49.70)	1.515(38.48)	1.284(32.61)	1.29(32.70)	2.219(56.36)		

### 1. Materials and Finishes

1-1. Connector Shell	Aluminum Alloy or Stainless Steel
1-2. Insulator	Glass Filled Thermoplastic
1-3. Pin, Socket Contact	Copper Alloy

### 2. Performance Specifications

2-1. Contact Rating	3 AMP
2-2. DWV	600 VAC Sea level
2-3. Insulation Resistance	5,000 MΩ minimum
2-4. Operating Temperature	-55° C to +125° C
2-5. Shock, Vibration	50 g., 20g.

★ Sungjin is able to customize other types of Micro-D connectors that are not in the catalog, please contact us.



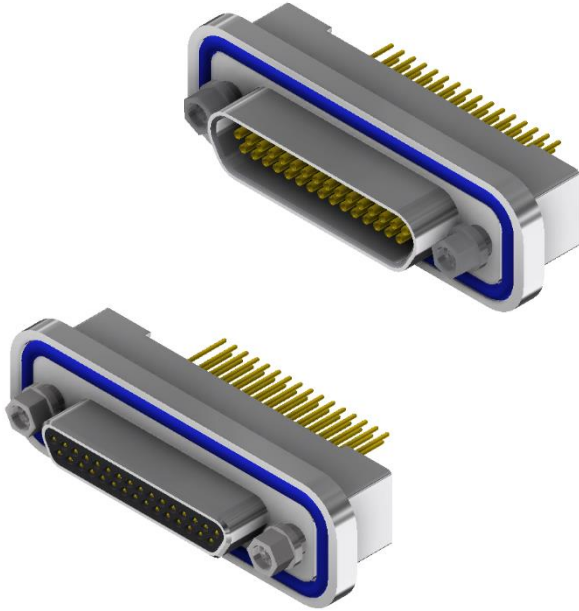
## SUNGJIN CONNECTOR & CONNECTION TECHNOLOGIES

TEL : 82-31-310-1700 FAX : 82-31-310-1701 www.sjcnc.co.kr



# Micro-D Waterproof PC-Tail Type Connector

**B**



High Performance SUNGJIN pin contacts for best performance. PC tails are .020 inch diameter. Specify Nickel-plated shells or Cadmium plated shells for best availability.

<b>Part Number</b>	<b>SJMDW</b>	<b>2</b>	<b>—</b>	<b>31</b>	<b>P</b>	<b>—</b>	<b>T1</b>	<b>P27</b>
<b>Series</b>	SJMD = SUNGJIN MICRO-D Waterproof Connector							
<b>Body Style</b>	2 = Nickel, 2 ROW 3 = Nickel, 3 ROW 4 = Cadmium, 2 ROW 5 = Cadmium, 3 ROW							
<b>Contact Layout</b>	9, 15, 21, 25, 31, 37, 51, 69							
<b>Contact Style</b>	P = Pin S = Socket							
<b>Hardware</b>	T, T1, T2, N (See table 1/ see page 29)							
<b>Contact Type</b>	27 = .109(2.76) 35 = .140(3.55) 43 = .172(4.36) 63 = .250(6.35)							

Table 1 / Hardware

T	T1	T2	N
			

★ Sungjin is able to customize other types of Micro-D connectors that are not in the catalog, please contact us.



**SUNGJIN CONNECTOR & CONNECTION TECHNOLOGIES**

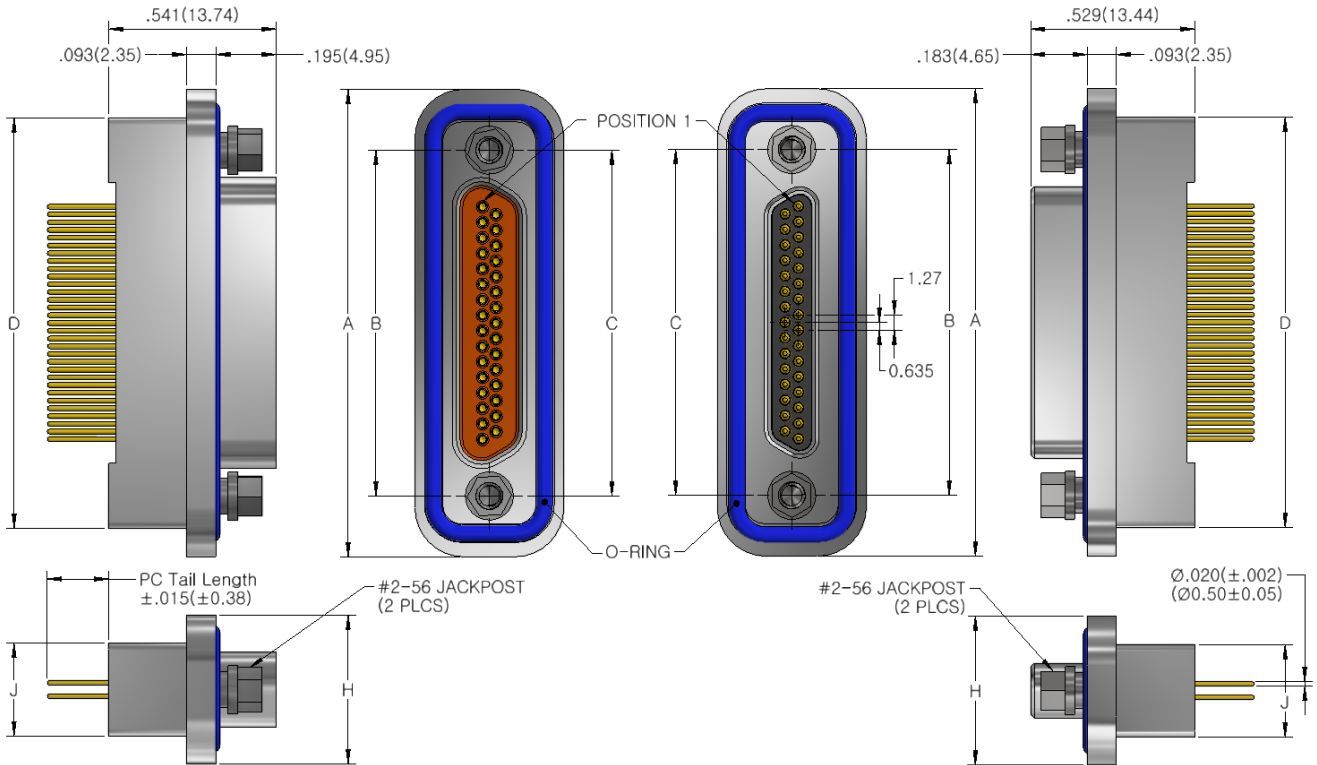
TEL : 82-31-310-1700 FAX : 82-31-310-1701 www.sjcncr.co.kr

# Micro-D Waterproof PC-Tail Type Connector

# B

## SJMDW2-31S-T1P27

## SJMDW2-31P-T1P27



► Dimensions in inches(millimeters)

DIMENSIONS								
SIZE	CONTACT ROWS	A	B	C		D	H	J
				Pin	Socket			
9	2	.957(24.30)	.565(14.35)	.334(8.48)	.3342(8.50)	.773(19.63)	.480 (12.19)	.298 (7.56)
15		1.107(28.11)	.715(18.16)	.484(12.29)	.4842(12.30)	.923(23.44)		
21		1.257(31.92)	.865(21.97)	.634(16.10)	.6342(16.11)	1.073(27.25)		
25		1.357(34.46)	.965(24.51)	.734(18.64)	.7342(18.70)	1.173(29.79)		
31		1.507(38.27)	1.115(28.32)	.884(22.45)	.8842(22.50)	1.323(33.60)		
37		1.657(42.08)	1.265(32.13)	1.034(26.26)	1.0342(26.30)	1.477(37.51)		
51	3	1.657(42.08)	1.215(30.86)	.984(24.99)	.9842(25.00)	1.777(45.13)	.525 (13.34)	.440 (11.17)
69		1.957(49.70)	1.515(38.48)	1.284(32.61)	1.29(32.70)	2.219(56.36)		

### 1. Materials and Finishes

1-1. Connector Shell	Aluminum Alloy or Stainless Steel
1-2. Insulator	Glass Filled Thermoplastic
1-3. Pin, Socket Contact	Copper Alloy

### 2. Performance Specifications

2-1. Contact Rating	3 AMP
2-2. DWV	600 VAC Sea level
2-3. Insulation Resistance	5,000 MΩ minimum
2-4. Operating Temperature	-55° C to +125° C
2-5. Shock, Vibration	50 g., 20g.

★ **Sungjin is able to customize other types of Micro-D connectors that are not in the catalog, please contact us.**

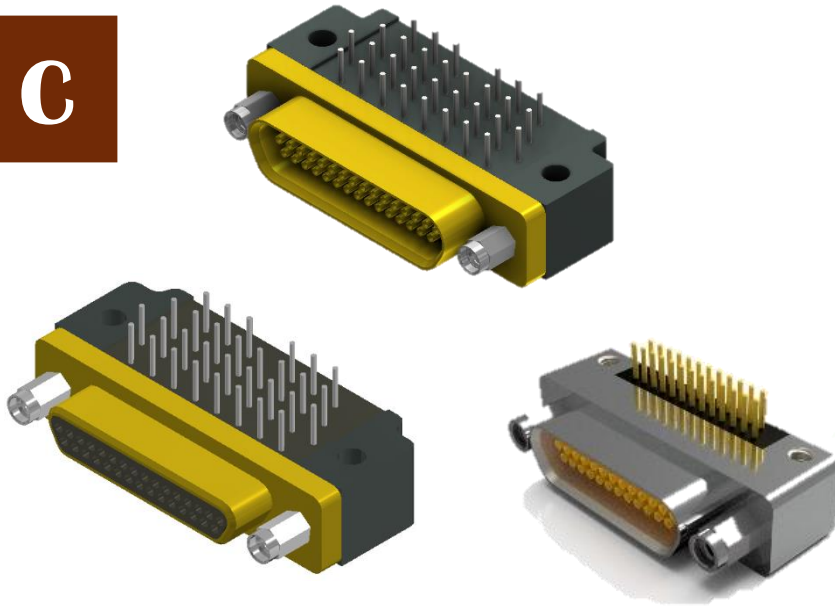


## SUNGJIN CONNECTOR & CONNECTION TECHNOLOGIES

TEL : 82-31-310-1700 FAX : 82-31-310-1701 www.sjcnc.co.kr

# Micro-D Board Mount Right Angle Connector

C



High Performance SUNGJIN pin contacts for best performance. PC tails are .020 inch diameter. Specify nickel-plated shells or Cadmium plated shells for best availability.

Part Number	SJMD	2 – 31	P – T	BMR	27
Series	SJMD = SUNGJIN MICRO-D				
Body Style	2 = Nickel, 2 ROW 3 = Nickel, 3 ROW 4 = Cadmium, 2 ROW 5 = Cadmium, 3 ROW				
Contact Layout	9, 15, 21, 25, 31, 37, 51, 69				
Contact Style	P = Pin S = Socket				
Hardware	T, T1, T2, N (See table 1/ see page 29)				
Termination Type	BMR = Board Mount Right Angle BMER = Board Mount EMI Right Angle				
PC Tail Length	27 = .109(2.76) 35 = .140(3.55) 43 = .172(4.36)				

Table 1 / Hardware

T	T1	T2	N
			

★ Sungjin is able to customize other types of Micro-D connectors that are not in the catalog, please contact us.



**SUNGJIN CONNECTOR & CONNECTION TECHNOLOGIES**

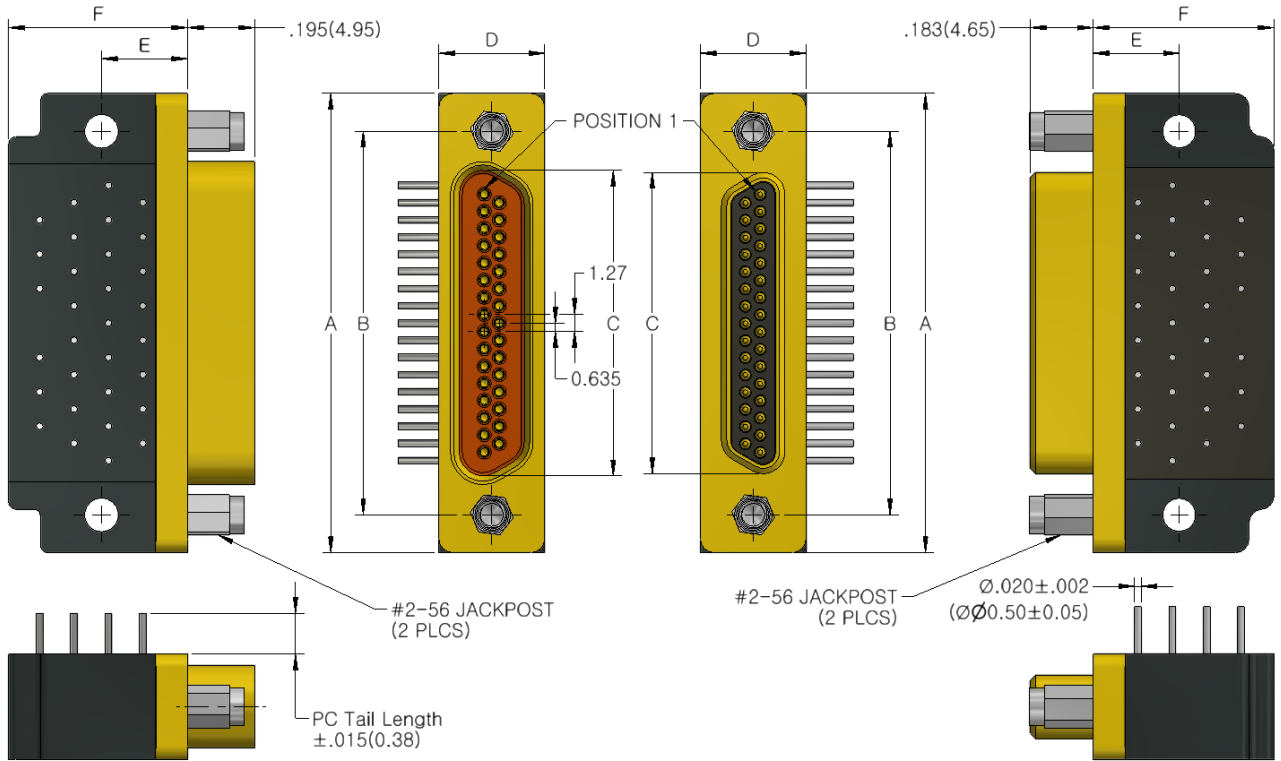
TEL : 82-31-310-1700 FAX : 82-31-310-1701 www.sjcnc.co.kr

# Micro-D Board Mount Right Angle Connector

# C

### SJMD2-31S-TBMR27

### SJMD2-31P-TBMR27



► Dimensions in inches(millimeters)

#### DIMENSIONS

SIZE	A	B	C		D	E	F
			Pin	Socket			
9	.787(19.99)	.565(14.35)	.334(8.48)	.3342(8.50)	.307(7.80)	.250(6.35)	.425(10.80)
15	.937(23.80)	.715(18.16)	.484(12.29)	.4842(12.30)	.307(7.80)	.250(6.35)	.425(10.80)
21	1.087(27.61)	.865(21.97)	.634(16.10)	.6342(16.11)	.307(7.80)	.250(6.35)	.425(10.80)
25	1.187(30.15)	.965(24.51)	.734(18.64)	.7342(18.70)	.307(7.80)	.250(6.35)	.425(10.80)
31	1.337(33.96)	1.115(28.32)	.884(22.45)	.8842(22.50)	.307(7.80)	.250(6.35)	.525(13.34)
37	1.487(33.96)	1.265(32.13)	1.034(26.26)	1.0342(26.30)	.307(7.80)	.250(6.35)	.525(13.34)
51	1.435(36.45)	1.215(30.86)	.984(24.99)	.9842(25.00)	.358(9.10)	.300(7.62)	.660(16.76)
69	1.735(44.07)	1.515(38.48)	1.284(32.61)	1.29(32.70)	.358(9.10)	.300(7.62)	.750(19.05)

#### 1. Materials and Finishes

1-1. Connector Shell	Aluminum Alloy or Stainless Steel
1-2. Insulator	Glass Filled Thermoplastic
1-3. Pin, Socket Contact	Copper Alloy

#### 2. Performance Specifications

2-1. Contact Rating	3 AMP
2-2. DWV	600 VAC Sea level
2-3. Insulation Resistance	5,000 MΩ minimum
2-4. Operating Temperature	-55° C to +125° C
2-5. Shock, Vibration	50 g., 20g.

★ Sungjin is able to customize other types of Micro-D connectors that are not in the catalog, please contact us.



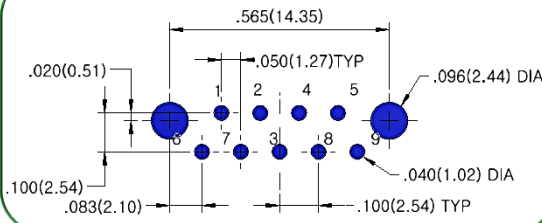
## SUNGJIN CONNECTOR & CONNECTION TECHNOLOGIES

TEL : 82-31-310-1700 FAX : 82-31-310-1701 www.sjcnc.co.kr

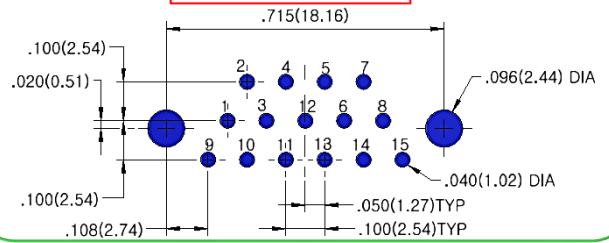
# MICRO D Board Mount Right Angle Connector

C

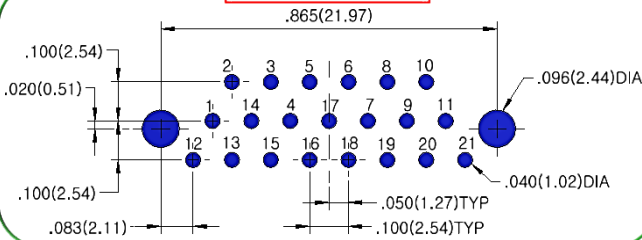
**9 Contacts**



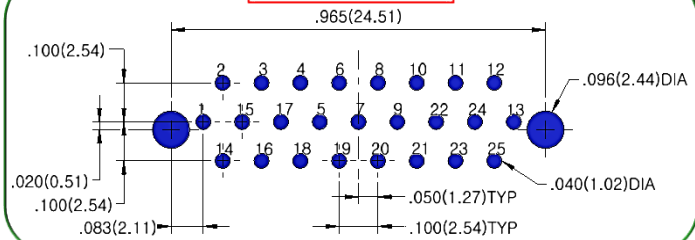
**15 Contacts**



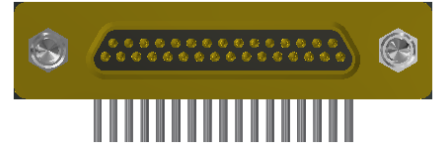
**21 Contacts**



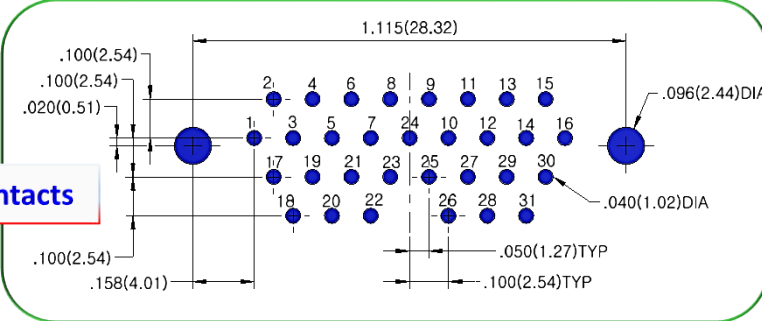
**25 Contacts**



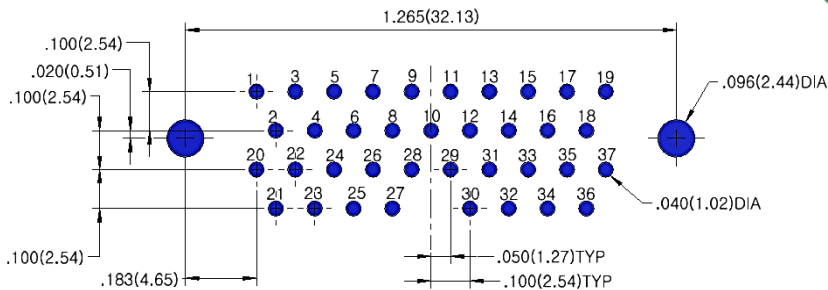
## PC BOARD LAYOUT PLUG COMPONENT SIDE



**31 Contacts**

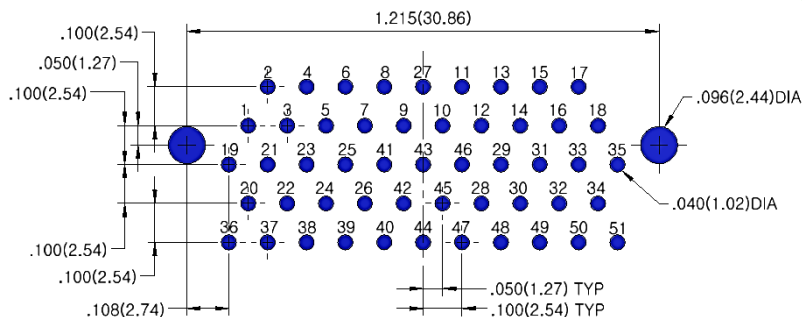


**37 Contacts**



► Dimensions in inches (millimeters)

**51 Contacts**



※ 0.075(1.9) Pitch production

★ Sungjin is able to customize other types of Micro-D connectors that are not in the catalog, please contact us.



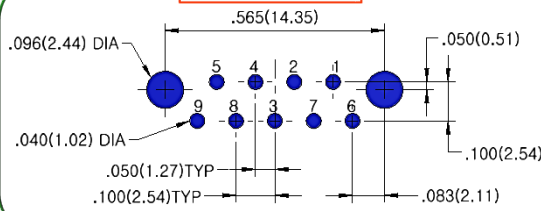
**SUNGJIN CONNECTOR & CONNECTION TECHNOLOGIES**

TEL : 82-31-310-1700 FAX : 82-31-310-1701 www.sjcnt.co.kr

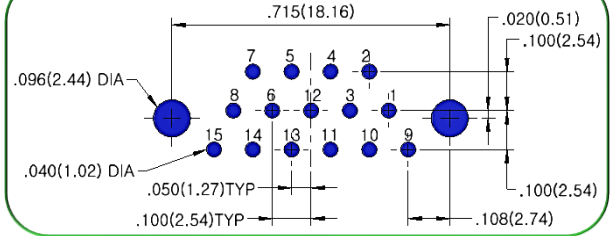
# MICRO D Board Mount Right Angle Connector

C

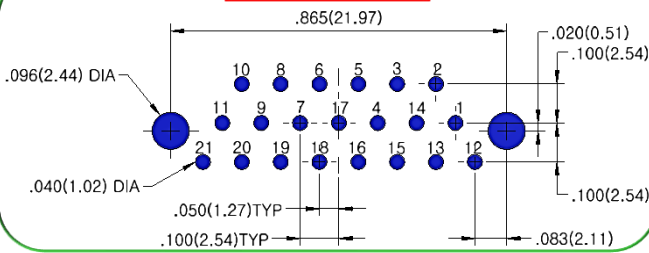
**9 Contacts**



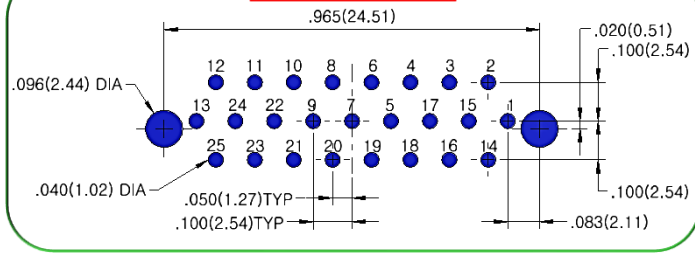
**15 Contacts**



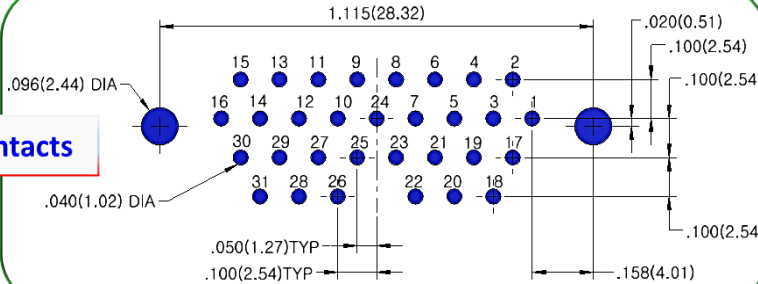
**21 Contacts**



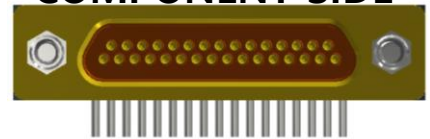
**25 Contacts**



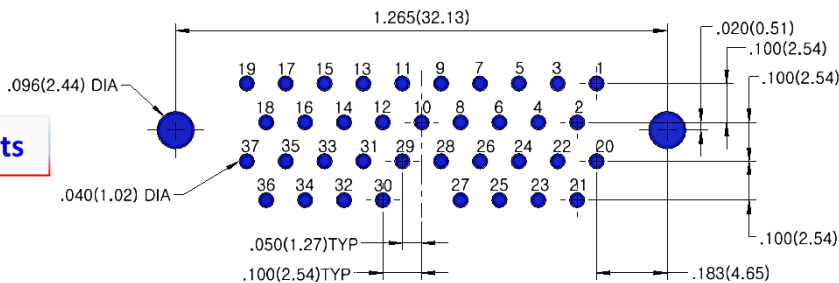
**31 Contacts**



## PC BOARD LAYOUT RECEPTACLE COMPONENT SIDE

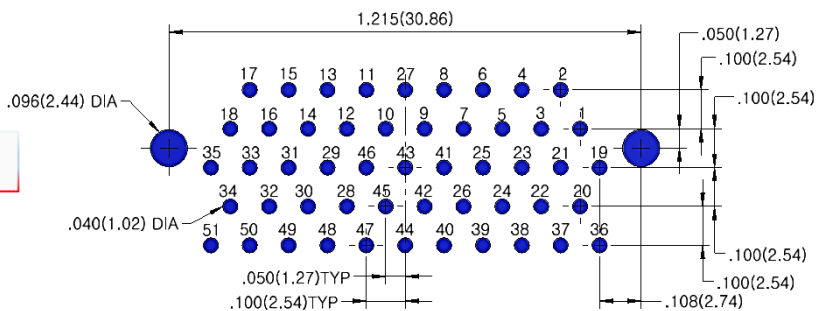


**37 Contacts**



► Dimensions in inches  
(millimeters)

**51 Contacts**



※ 0.075(1.9) Pitch production

★ **Sungjin is able to customize other types of Micro-D connectors that are not in the catalog, please contact us.**



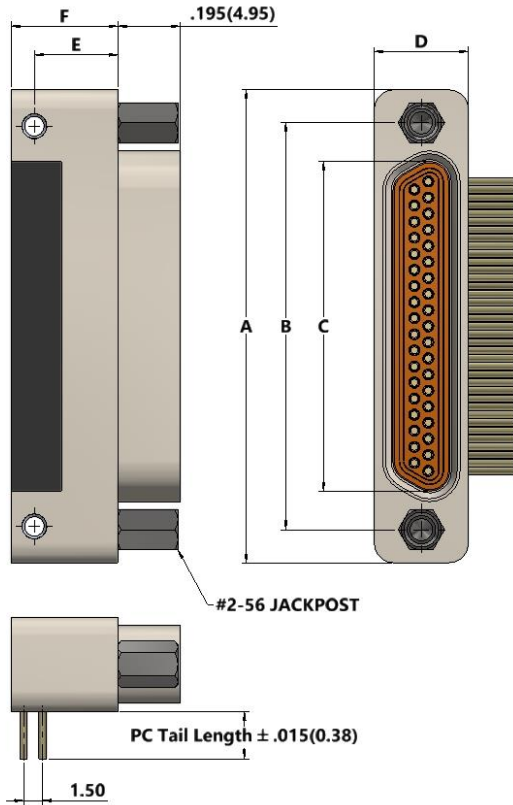
**SUNGJIN CONNECTOR & CONNECTION TECHNOLOGIES**

TEL : 82-31-310-1700 FAX : 82-31-310-1701 www.sjcnc.co.kr

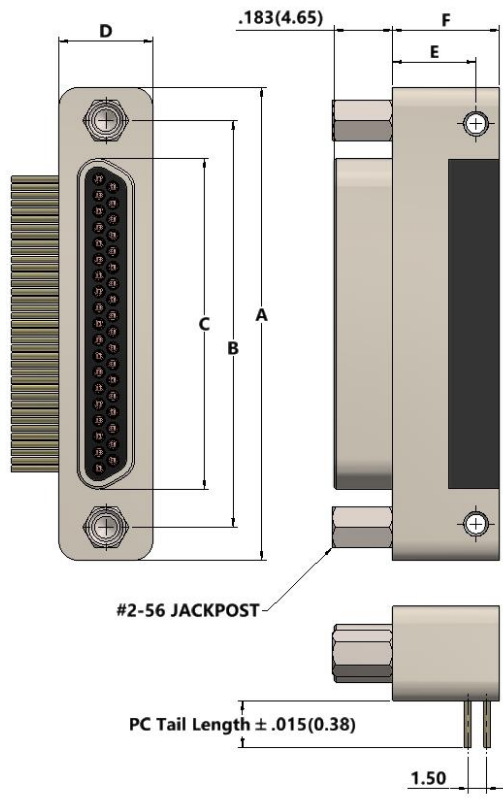
# MICRO D Board Mount EMI Right Angle Connector

# C

### SJMD2-37S-TBMER27



### SJMD2-37P-TBMER27



► Dimensions in inches(millimeters)

#### DIMENSIONS

SIZE	A	B	C		D	E	F
			Pin	Socket			
9	.787(19.99)	.565(14.35)	.334(8.48)	.3342(8.50)	.307(7.80)	.259(6.58)	.332(8.43)
15	.937(23.80)	.715(18.16)	.484(12.29)	.4842(12.30)	.307(7.80)	.259(6.58)	.332(8.43)
21	1.087(27.61)	.865(21.97)	.634(16.10)	.6342(16.11)	.307(7.80)	.259(6.58)	.332(8.43)
25	1.187(30.15)	.965(24.51)	.734(18.64)	.7342(18.70)	.307(7.80)	.259(6.58)	.332(8.43)
31	1.337(33.96)	1.115(28.32)	.884(22.45)	.8842(22.50)	.307(7.80)	.259(6.58)	.332(8.43)
37	1.487(33.96)	1.265(32.13)	1.034(26.26)	1.0342(26.30)	.307(7.80)	.259(6.58)	.332(8.43)

#### 1. Materials and Finishes

1-1. Connector Shell	Aluminum Alloy or Stainless Steel
1-2. Insulator	Glass Filled Thermoplastic
1-3. Pin, Socket Contact	Copper Alloy

#### 2. Performance Specifications

2-1. Contact Rating	3 AMP
2-2. DWV	600 VAC Sea level
2-3. Insulation Resistance	5,000 MΩ minimum
2-4. Operating Temperature	-55° C to +125° C
2-5. Shock, Vibration	50 g., 20g.

★ Sungjin is able to customize other types of Micro-D connectors that are not in the catalog, please contact us.



## SUNGJIN CONNECTOR & CONNECTION TECHNOLOGIES

TEL : 82-31-310-1700 FAX : 82-31-310-1701 www.sjcncr.co.kr

# Micro-D Board Mount Right Angle Filter Connector

D

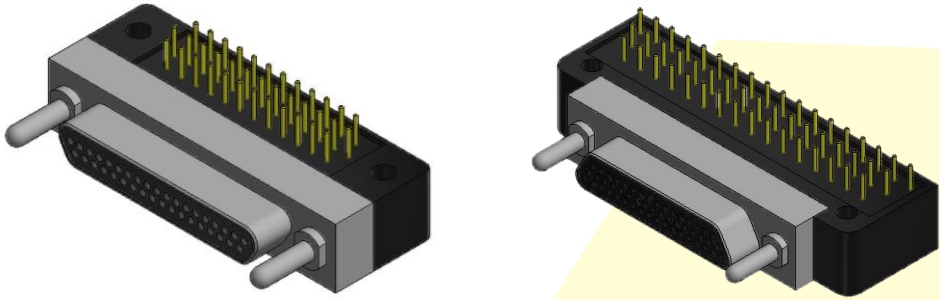


Table I: Micro-D Filter Classes and Performance

Capacitance (pF)						
C Filter	9000-12000	4000-6000	1650-2500	800-1200	400-650	200-300
Pi Filter	18000-30000	8000-12000	3300-5000	1600-2400	800-1300	400-600

Part Number	SJMD	2 - 31	PF - T	BMR	28
<b>Series</b>	SJMD = SUNGJIN MICRO-D				
<b>Body Style</b>	2 = Nickel, 2 ROW 3 = Nickel, 3 ROW 4 = Cadmium, 2 ROW 5 = Cadmium, 3 ROW				
<b>Contact Layout</b>	9, 15, 21, 25, 31, 37, 51, 69				
<b>Contact Style</b>	PF = Pin FILTERED SF = Socket FILTERED				
<b>Hardware</b>	T (See table 2)				
<b>Termination Type</b>	BMR = Board Mount Right Angle				
<b>PC Tail Length</b>	28 = .110(2.80) 35 = .140(3.55) 43 = .172(4.36)				

Table 2 / Hardware

T			
			

★ Sungjin is able to customize other types of Micro-D connectors that are not in the catalog, please contact us.



**SUNGJIN CONNECTOR & CONNECTION TECHNOLOGIES**

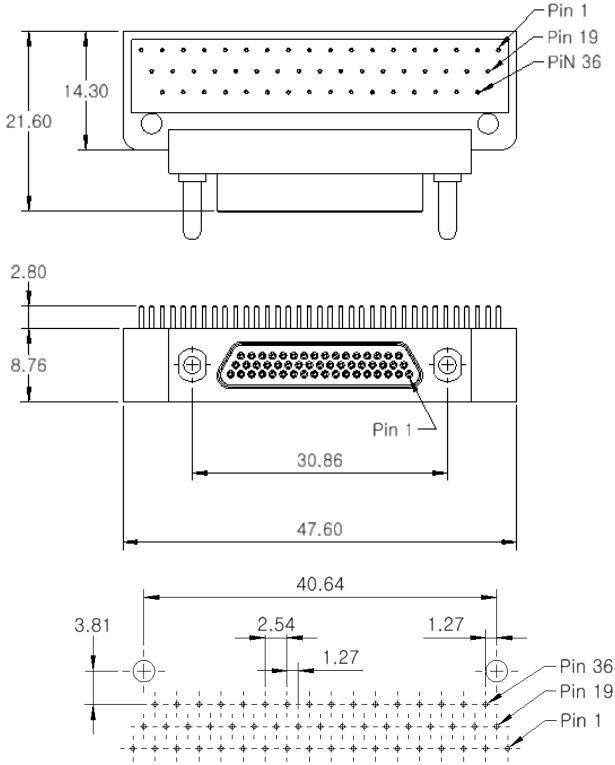
TEL : 82-31-310-1700 FAX : 82-31-310-1701 www.sjcncr.co.kr



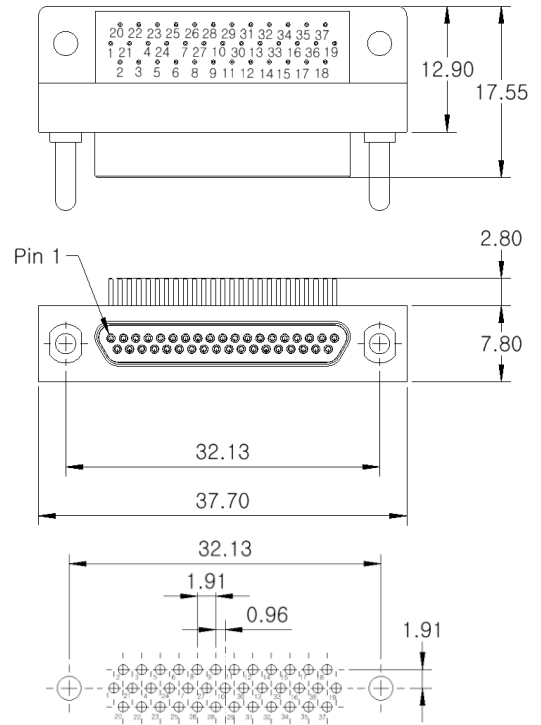
# Micro-D Board Mount Right Angle Filter Connector

# D

## SJMD3-51PF-TBMR28



## SJMD2-37PF-TBMR28



### 1. PART LIST

1-1. Shell	Aluminum Alloy, nickel plated
1-2. Insulator	Hi Grade Plastic
1-3. Contact	Copper Alloy, gold plated
1-4. Guide pin	Stainless steel
1-5. 2.54mm pitch	EMC molding
1-6. Insulation Resistance (Excluding filter contact)	500V DC 5,000MΩ
1-7. workig voltage (Excluding filter contact)	600V AC

### 2. C FILTER ELECTRICAL CHARACTERISTICS

2-1. Capacitance	1000pF ±20% @1 VRMS, 1KHz, lines 1 to 7, 18: 8places
2-2. Dielectric whitstand voltage	125V DC
2-3. workig voltage	50V DC

### 1. PART LIST

1-1. Shell	Aluminum Alloy, nickel plated
1-2. Insulator	Hi Grade Plastic
1-3. Contact	Copper Alloy, gold plated
1-4. Guide pin	Stainless steel
1-5. 2.54mm pitch	EMC molding
1-6. Insulation Resistance (Excluding filter contact)	500V DC 5,000MΩ
1-7. workig voltage (Excluding filter contact)	600V AC

### 2. C FILTER ELECTRICAL CHARACTERISTICS

2-1. Capacitance	1000pF ±20% @1 VRMS, 1KHz, lines 1,2,18,19,20,21,37: 7places
2-2. Dielectric whitstand voltage	125V DC
2-3. workig voltage	50V DC

★ Sungjin is able to customize other types of Micro-D connectors that are not in the catalog, please contact us.

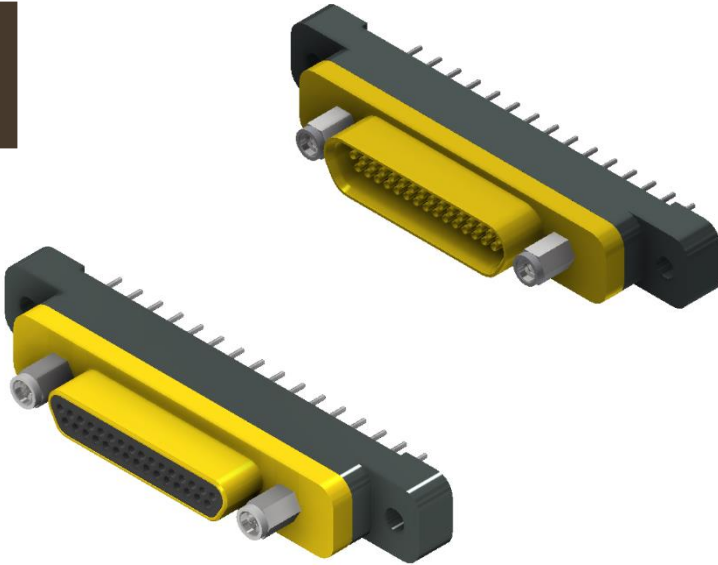


**SUNGJIN CONNECTOR & CONNECTION TECHNOLOGIES**

TEL : 82-31-310-1700 FAX : 82-31-310-1701 www.sjcnc.co.kr

# MICRO D Board Mount Straight Connector

E



High Performance SUNGJIN pin contacts for best performance. PC tails are .020 inch diameter. Specify nickel-plated shells or Cadmium plated shells for best availability.

Part Number	SJMD	2 – 31	P – T	BMS	27
<b>Series</b>	SJMD = SUNGJIN MICRO-D				
<b>Body Style</b>	2 = Nickel, 2 ROW 3 = Nickel, 3 ROW 4 = Cadmium, 2 ROW 5 = Cadmium, 3 ROW				
<b>Contact Layout</b>	9, 15, 21, 25, 31, 37, 51, 69				
<b>Contact Style</b>	P = Pin S = Socket				
<b>Hardware</b>	T, T1, T2, N (See table 1/ see page 29)				
<b>Termination Type</b>	BMS = Board Mount Straight				
<b>PC Tail Length</b>	27 = .109(2.76) 35 = .140(3.55) 43 = .172(4.36)				

Table 1 / Hardware

T	T1	T2	N
			

★ Sungjin is able to customize other types of Micro-D connectors that are not in the catalog, please contact us.



**SUNGJIN CONNECTOR & CONNECTION TECHNOLOGIES**

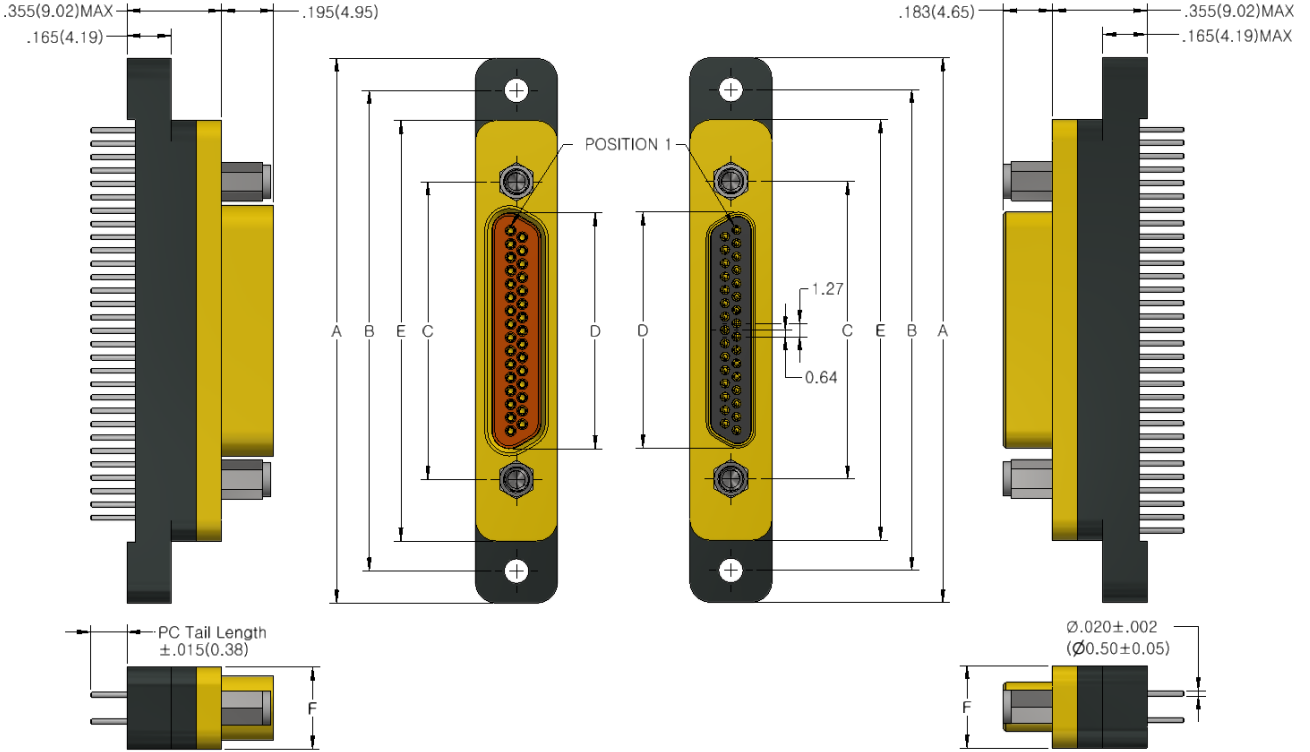
TEL : 82-31-310-1700 FAX : 82-31-310-1701 www.sjcncr.co.kr

# MICRO D Straight Board Mount Connector

# E

### SJMD2-31S-TBMS27

### SJMD2-31P-TBMS27



► Dimensions in inches(millimeters)

#### DIMENSIONS

SIZE	A Max	B	C	D		E	F
				Pin	Socket		
9	1.390(35.31)	1.150(29.21)	.565(14.35)	.3338(8.478)	.3342(8.50)	.885(22.48)	.309(7.85)
15	1.390(31.31)	1.150(29.21)	.715(18.16)	.4838(12.289)	.4842(12.30)	.945(24.00)	
21	1.690(40.64)	1.450(36.83)	.865(21.97)	.6338(16.099)	.6342(16.11)	1.185(30.10)	
25	1.740(44.20)	1.500(38.10)	.965(24.51)	.7338(18.639)	.7342(18.70)	1.275(32.39)	
31	2.040(51.82)	1.800(45.72)	1.115(28.32)	.8838(22.449)	.8842(22.50)	1.575(40.01)	
37	2.340(59.44)	2.100(53.34)	1.265(32.13)	1.0338(26.2449)	1.0342(26.30)	1.875(47.63)	
51	2.270(57.66)	2.000(50.80)	1.215(30.86)	.9838(24.988)	.9842(25.00)	1.775(45.08)	.351(8.92)

#### 1. Materials and Finishes

1-1. Connector Shell	Aluminum Alloy or Stainless Steel
1-2. Insulator	Glass Filled Thermoplastic
1-3. Pin, Socket Contact	Copper Alloy

#### 2. Performance Specifications

2-1. Contact Rating	3 AMP
2-2. DWV	600 VAC Sea level
2-3. Insulation Resistance	5,000 MΩ minimum
2-4. Operating Temperature	-55° C to +125° C
2-5. Shock, Vibration	50 g., 20g.

★ Sungjin is able to customize other types of Micro-D connectors that are not in the catalog, please contact us.

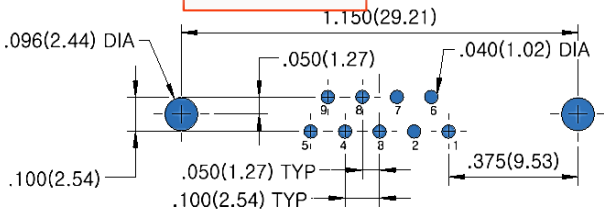


## SUNGJIN CONNECTOR & CONNECTION TECHNOLOGIES

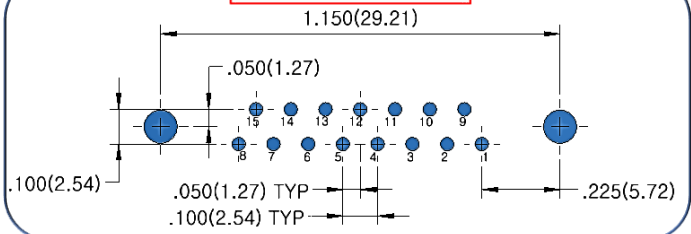
TEL : 82-31-310-1700 FAX : 82-31-310-1701 www.sjcncr.co.kr

# MICRO D Straight Board Mount Connector

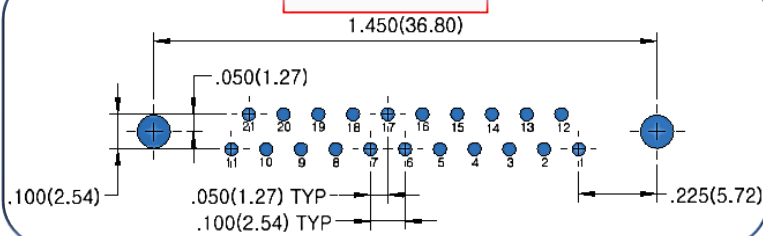
**9 Contacts**



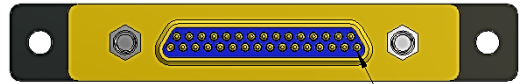
**15 Contacts**



**21 Contacts**

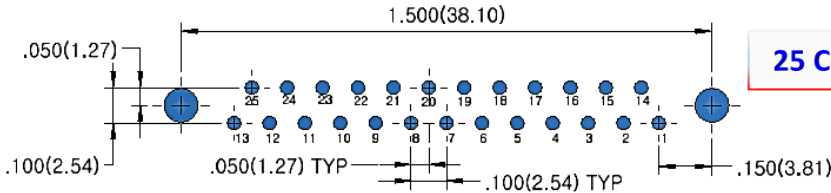


## PC BOARD LAYOUT COMPONENT SIDE



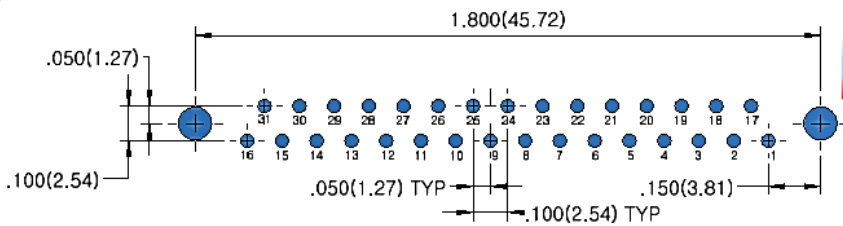
POSITION #1

**25 Contacts**

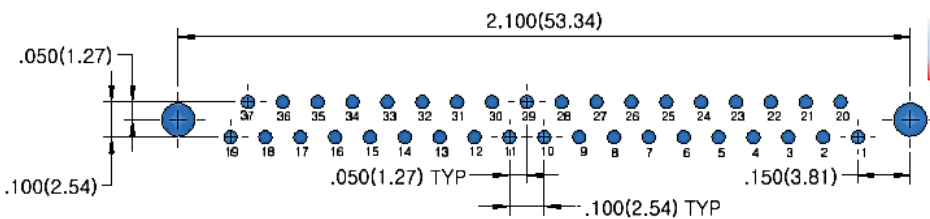


► Dimensions in inches(millimeters)

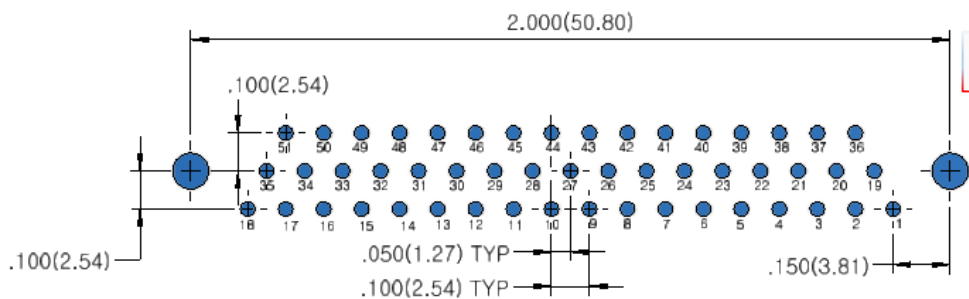
**31 Contacts**



**37 Contacts**



**51 Contacts**



★ **Sungjin is able to customize other types of Micro-D connectors that are not in the catalog, please contact us.**

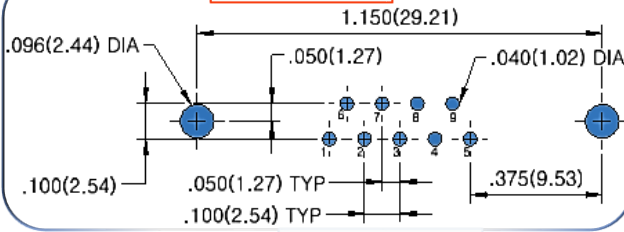


**SUNGJIN CONNECTOR & CONNECTION TECHNOLOGIES**

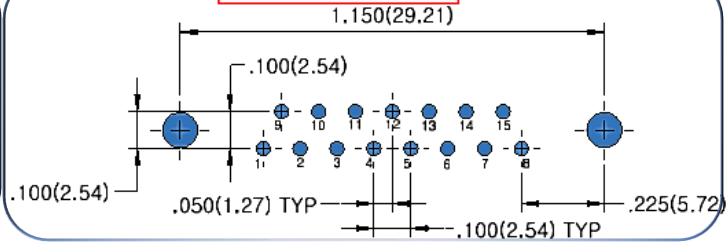
TEL : 82-31-310-1700 FAX : 82-31-310-1701 www.sjcncr.co.kr

# MICRO D Straight Board Mount Connector

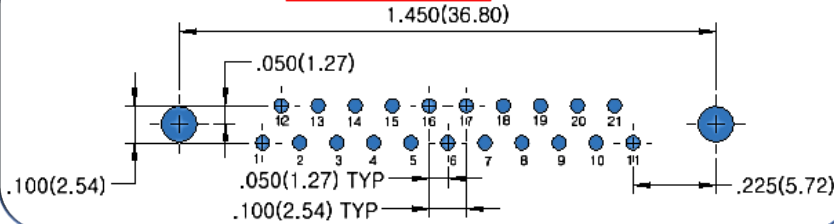
**9 Contacts**



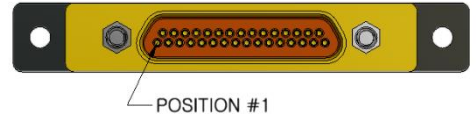
**15 Contacts**



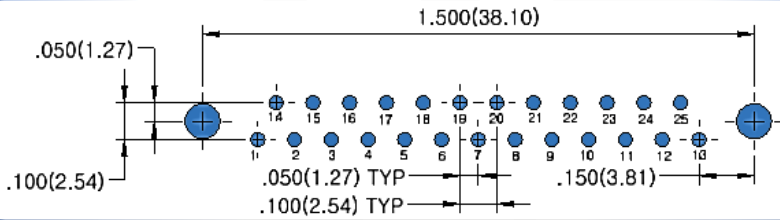
**21 Contacts**



**PC BOARD LAYOUT  
COMPONENT SIDE**

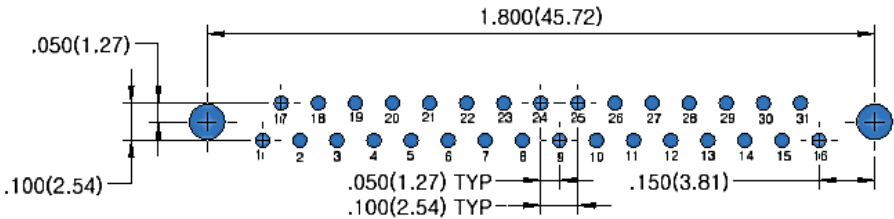


**25 Contacts**

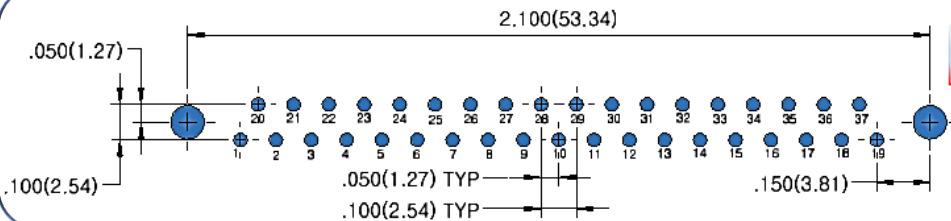


► Dimensions in inches(millimeters)

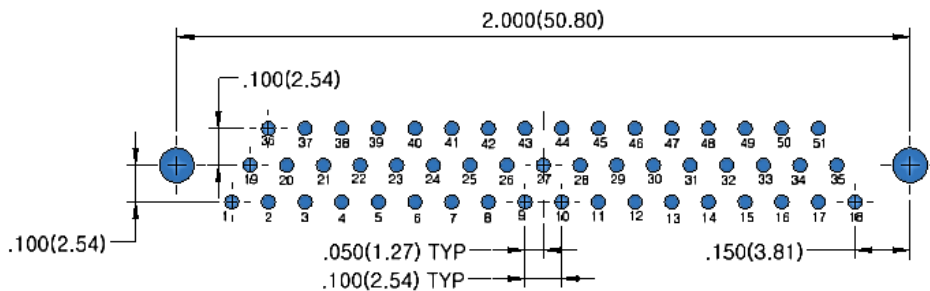
**31 Contacts**



**37 Contacts**



**51 Contacts**



★ Sungjin is able to customize other types of Micro-D connectors that are not in the catalog, please contact us.

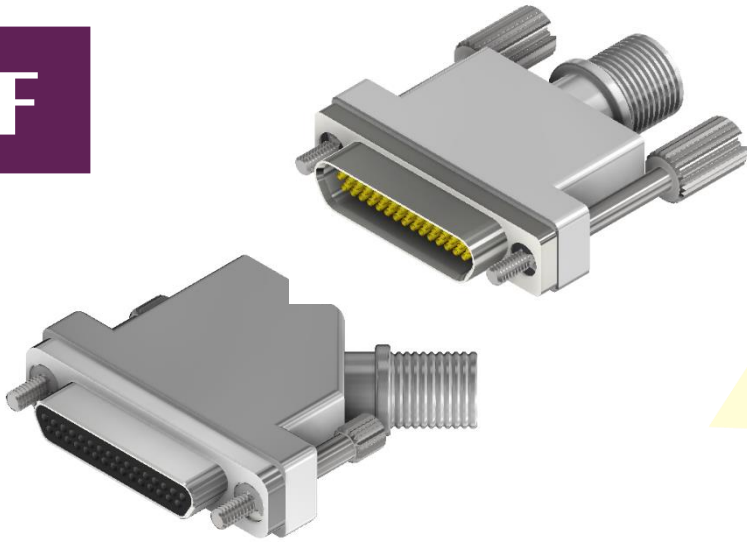


**SUNGJIN CONNECTOR & CONNECTION TECHNOLOGIES**

TEL : 82-31-310-1700 FAX : 82-31-310-1701 www.sjcncr.co.kr

# MICRO D Backshell - I

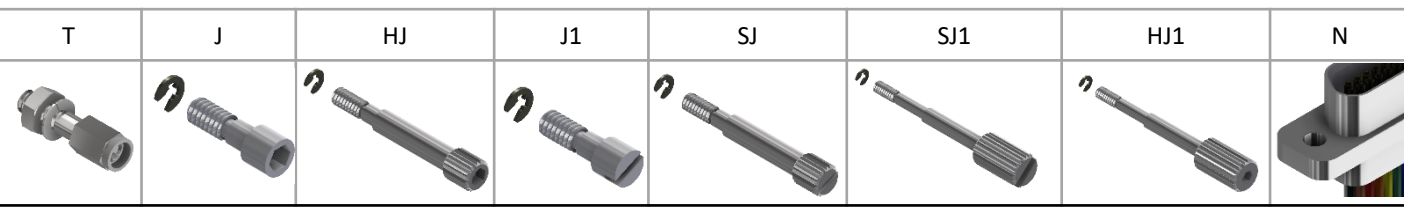
F



Micro-D EMI backshells connect cable shields to Micro-D connectors, providing strain relief and mechanical protection. These backshells are made out of aluminum alloy. Electroless nickel is the most widely used finish. These backshells are compatible with industry- standard metal shell M83513 type connectors.

Part Number	SJMD	2	31	P	J	A3	C	910	ET0	04
<b>Series</b>	SJMD = SUNGJIN MICRO-D									
<b>Body Style</b>	2 = Nickel, 2 ROW 3 = Nickel, 3 ROW 4 = Cadmium, 2 ROW 5 = Cadmium, 3 ROW									
<b>Contact Layout</b>	9, 15, 21, 25, 31, 37, 51, 69									
<b>Contact Style</b>	P = Pin S = Socket									
<b>Hardware</b>	T, J, HJ, J1, SJ, SJ1, HJ1, N (See table 1/ see page 29)									
<b>Wire Type</b>	A3 = M22759/11-xxx A2 = M16878/4									
<b>Wire Color</b>	C = Ten Color Repeating W = White									
<b>Wire Length(mm)</b>	150 = 152mm, 910 = 915mm,		300 = 305mm, 1800 = 1820mm		450 = 455mm,		610 = 610mm			
<b>Backshell Type</b>	ET0 = Backshell Entry 0° ET1 = Backshell Entry 45° One Place ET2 = Backshell Entry 45° Two Place ET3 = Backshell Entry 90°									
<b>Entry Codes</b>	04, 05, 06, 07, 08, 09, 10, 11, 12									

Table 1 / Hardware



★ Sungjin is able to customize other types of Micro-D connectors that are not in the catalog, please contact us.

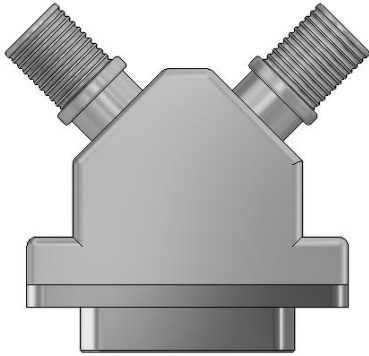


**SUNGJIN CONNECTOR & CONNECTION TECHNOLOGIES**  
 TEL : 82-31-310-1700 FAX : 82-31-310-1701 www.sjcncr.co.kr

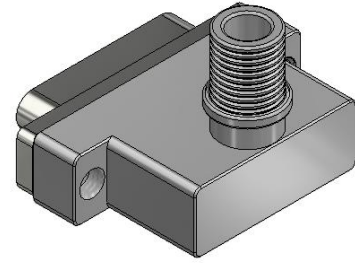
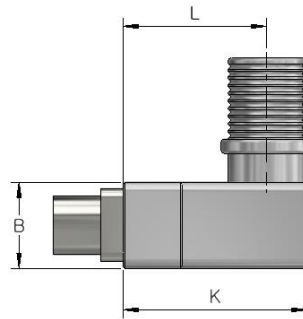
# MICRO D Backshell - I

F

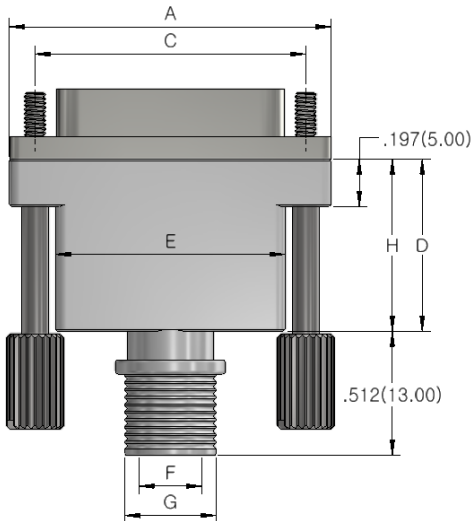
Style = ET2 (Entry 45° Two Place)



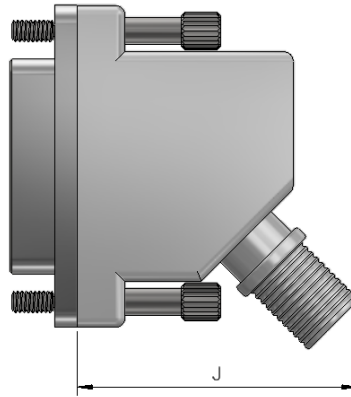
Style = ET3 (Entry 90°)



Style = ET0 (Entry 0°)



Style = ET1 (Entry 45° One Place)



**Entry Codes**

Cable Entry Code	F	G
04	.125(3.17)	.219(5.56)
05	.156(3.96)	.250(6.35)
06	.188(4.77)	.281(7.13)
07	.219(5.56)	.313(7.95)
08	.250(6.35)	.344(8.73)
09	.281(7.13)	.375(9.52)
10	.312(7.92)	.406(10.31)
11	.344(8.73)	.438(11.12)
12	.375(9.52)	.469(11.91)

► Dimensions in inches(millimeters)

**DIMENSIONS**

SIZE	A Max	B Max	C	D	E	H	J	L	K
9	.775(19.68)	.370(9.39)	.565(14.35)	.862(21.89)	.410(10.41)	.460(8.89)	1.000(25.40)	.435(11.05)	.637(16.18)
15	.925(23.49)	.370(9.39)	.715(18.16)	.982(24.94)	.580(14.73)	.470(11.94)	1.030(26.16)	.440(11.20)	.673(17.09)
21	1.075(27.30)	.370(9.39)	.865(21.97)	1.102(27.94)	.740(18.79)	.590(14.99)	1.050(26.67)	.458(11.63)	.707(17.95)
25	1.175(29.84)	.370(9.39)	.965(24.51)	1.162(29.51)	.850(21.59)	.650(16.51)	1.090(27.69)	.483(12.27)	.748(19.00)
31	1.325(33.62)	.370(9.39)	1.115(28.32)	1.221(31.03)	.980(24.89)	.710(18.03)	1.130(28.70)	.476(12.09)	.756(19.20)
37	1.475(37.46)	.370(9.39)	1.265(32.13)	1.261(32.05)	1.130(28.70)	.750(19.05)	1.230(31.24)	.478(12.14)	.774(19.66)
51	1.425(36.19)	.410(10.41)	1.215(30.86)	1.291(32.81)	1.080(27.43)	.780(19.81)	1.250(31.75)	.548(13.91)	.859(21.82)
69	1.725(43.81)	.410(10.41)	1.515(38.48)	1.291(32.81)	1.380(35.05)	.780(19.81)	1.250(31.75)	.548(13.91)	.859(21.81)

**1. Materials and Finishes**

1-1. BackShell Aluminum Alloy or Stainless Steel

1-2. Hardware 300 series stainless steel

★ **Sungjin is able to customize other types of Micro-D connectors that are not in the catalog, please contact us.**



**SUNGJIN CONNECTOR & CONNECTION TECHNOLOGIES**

TEL : 82-31-310-1700 FAX : 82-31-310-1701 www.sjcncr.co.kr

# MICRO D Backshell - II

G



Micro-D EMI backshells connect cable shields to Micro-D connectors, providing strain relief and mechanical protection. These backshells are made out of aluminum alloy. Electroless nickel is the most widely used finish. These backshells are compatible with industry- standard metal shell M83513 type connectors.

Part number	SJMD 2 31 P J A3 C 910 ETD0 04									
Series	SJMD = SUNGJIN MICRO-D									
Body Style	2 = Nickel, 2 ROW 3 = Nickel, 3 ROW 4 = Cadmium, 2 ROW 5 = Cadmium, 3 ROW									
Contact Layout	9, 15, 21, 25, 31, 37, 51, 69									
Contact Style	P = Pin S = Socket									
Hardware	T, J, HJ, J1, SJ, SJ1, HJ1, N (See table 1/ see page 29)									
Wire Type	A3 = M22759/11-xxx A2 = M16878/4									
Wire Color	C = Ten Color Repeating W = White									
Wire Length(mm)	150 = 152mm, 300 = 305mm, 450 = 455mm, 610 = 610mm 910 = 915mm, 1800 = 1820mm									
Backshell Type	ETD0 = Backshell Entry 0° ETD1 = Backshell Entry 45° ETD3 = Backshell Entry 90°									
Entry Codes	04, 05, 06, 07, 08, 09, 10, 11, 12									

Table 1 / Hardware

T	J	HJ	J1	SJ	SJ1	HJ1	N

★ Sungjin is able to customize other types of Micro-D connectors that are not in the catalog, please contact us.



**SUNGJIN CONNECTOR & CONNECTION TECHNOLOGIES**

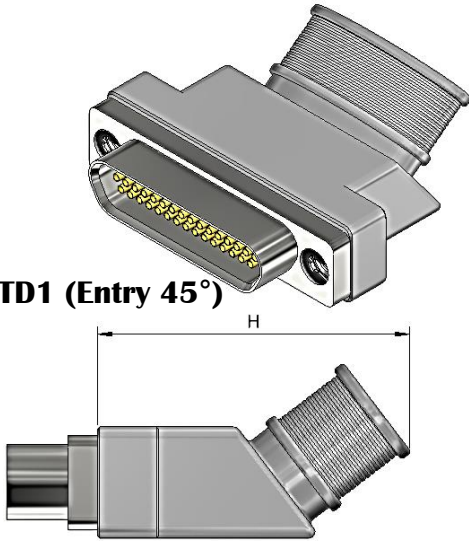
TEL : 82-31-310-1700 FAX : 82-31-310-1701 www.sjcncr.co.kr



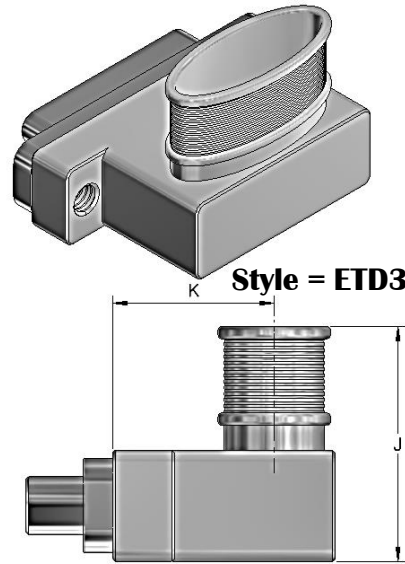
# MICRO D Backshell - II

G

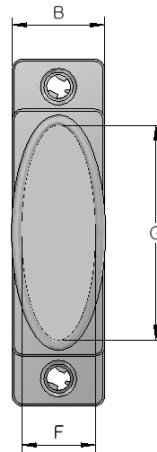
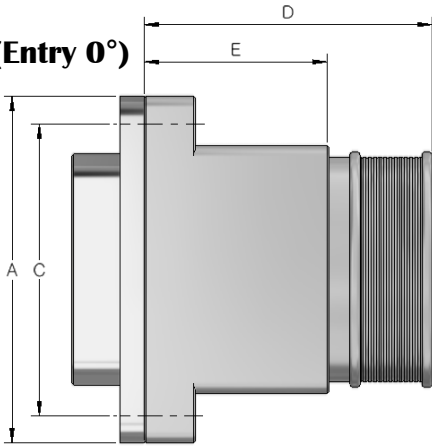
Style = ETD1 (Entry 45°)



Style = ETD3 (Entry 90°)



Style = ETD0 (Entry 0°)



Entry Codes

Cable Entry Code	G	F
04	.344(8.74)	.290(7.37)
05	.494(12.55)	.290(7.37)
06	.644(16.36)	.290(7.37)
07	.744(18.90)	.304(7.72)
08	.894(21.34)	.304(7.72)
09	.994(25.25)	.304(7.72)
10	1.044(26.52)	.304(7.72)
11	1.024(26.01)	.384(9.75)

► Dimensions in inches (millimeters)

## DIMENSIONS

SIZE	A Max	B Max	C	D	E	H	J	K
9	.775(19.68)	.370(9.39)	.565(14.35)	.862(21.89)	.460(8.89)	.851(21.62)	.970(24.64)	.668(16.97)
15	.925(23.49)	.370(9.39)	.715(18.16)	.982(24.94)	.470(11.94)	.876(22.25)	.970(24.64)	.668(16.97)
21	1.075(27.30)	.370(9.39)	.865(21.97)	1.102(27.94)	.590(14.99)	.901(22.89)	.970(24.64)	.668(16.97)
25	1.175(29.84)	.370(9.39)	.965(24.51)	1.162(29.51)	.650(16.51)	.943(23.95)	.990(25.15)	.678(17.22)
31	1.325(33.62)	.370(9.39)	1.115(28.32)	1.221(31.03)	.710(18.03)	.963(24.97)	.990(25.15)	.678(17.22)
37	1.475(37.46)	.370(9.39)	1.265(32.13)	1.261(32.05)	.750(19.05)	.983(24.97)	.990(25.15)	.678(17.22)
51	1.425(36.19)	.410(10.41)	1.215(30.86)	1.291(32.81)	.780(19.81)	1.050(26.67)	1.030(26.16)	.698(17.73)
69	1.725(43.81)	.410(10.41)	1.515(38.48)	1.291(32.81)	.780(19.81)	1.050(26.67)	1.030(26.16)	.698(17.73)

## 1. Materials and Finishes

1-1. BackShell Aluminum Alloy or Stainless Steel

1-2. Hardware 300 series stainless steel

★ Sungjin is able to customize other types of Micro-D connectors that are not in the catalog, please contact us.



**SUNGJIN CONNECTOR & CONNECTION TECHNOLOGIES**

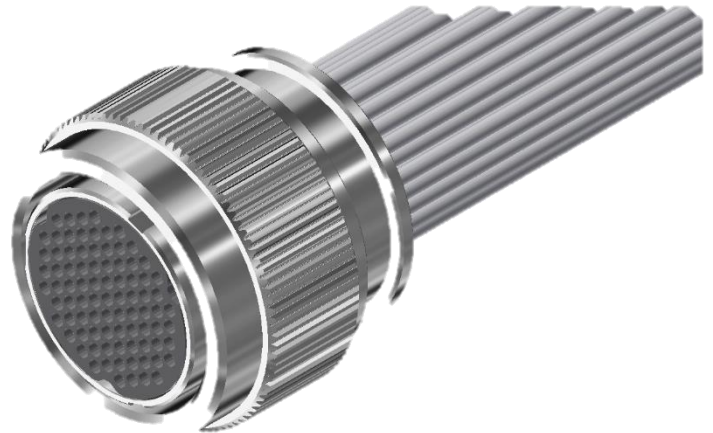
TEL : 82-31-310-1700 FAX : 82-31-310-1701 www.sjcncr.co.kr

# MICRO D Circular Cable Connector

H

SUNGJIN Micro Circular Connectors provides quick-disconnect capability combined with a high performance contact system and rugged construction. Intended for panel to-cord I/O applications, these connectors are found in tactical military equipment, weapons systems and various instrumentation applications.

Other custom versions are available.



Part Number	SJMDC	19	P	A3	C	910
Series	SJMDC = SUNGJIN MICRO-D Circular Connector					
Contact Layout	7, 19, 37, 48, 55, 85					
Contact Style	P = Pin S = Socket					
Wire Type	A3 = M22759/11 - xxx A2 = M16878/4 - xxx					
Wire Color	C = Ten Color Repeating W = White					
Wire Length(mm)	150 = 152mm, 910 = 915mm,	300 = 305mm, 1800 = 1820mm	450 = 455mm,	610 = 610mm		

★ Sungjin is able to customize other types of Micro-D connectors that are not in the catalog, please contact us.

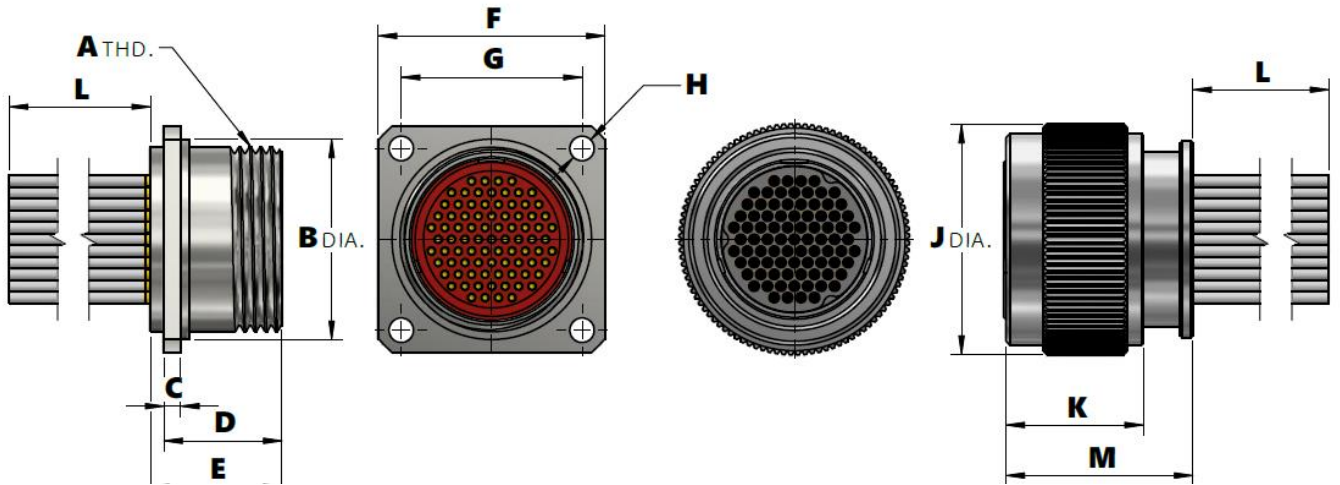


**SUNGJIN CONNECTOR & CONNECTION TECHNOLOGIES**

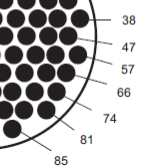
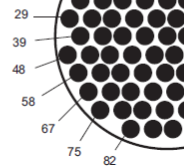
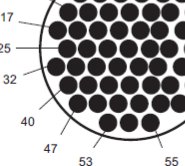
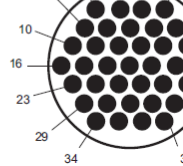
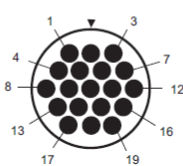
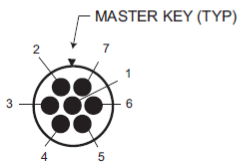
TEL : 82-31-310-1700 FAX : 82-31-310-1701 [www.sjcnc.co.kr](http://www.sjcnc.co.kr)

# MICRO D Circular Cable Connector

# H



## Contact Arrangements



► Dimensions in inches(millimeters)

## DIMENSIONS

SIZE	A Thread	B	C	D	E	F	G	H	J	K	M
7	5/16-24UNF-2A	.325 (8.26)	.062 (1.57)	.320 (8.13)	.400 (10.16)	.630 (16.00)	.460 (11.68)	.078 (1.98)	.375 (9.52)	.440 (11.18)	.650 (16.51)
19	7/16-24UNEF-2A	.453 (11.51)	.062 (1.57)	.440 (11.18)	.490 (12.45)	.630 (16.00)	.460 (11.68)	.091 (2.31)	.500 (12.70)	.440 (11.18)	.650 (16.51)
37	9/16-24UNEF-2A	.579 (14.70)	.062 (1.57)	.440 (11.18)	.490 (12.45)	.675 (17.15)	.486 (12.34)	.091 (2.31)	.628 (15.95)	.440 (11.18)	.650 (16.51)
48	5/8-24UNEF-2A	.625 (15.88)	.062 (1.57)	.440 (11.18)	.490 (12.45)	.760 (19.30)	.580 (14.73)	.091 (2.31)	.755 (19.18)	.440 (11.18)	.650 (16.51)
55	5/8-24UNEF-2A	.625 (15.88)	.062 (1.57)	.440 (11.18)	.490 (12.45)	.760 (19.30)	.580 (14.73)	.091 (2.31)	.755 (19.18)	.440 (11.18)	.650 (16.51)
85	11/16-24UNEF-2A	.745 (18.92)	.062 (1.57)	.440 (11.18)	.490 (12.45)	.845 (21.46)	.674 (17.12)	.091 (2.31)	.860 (21.84)	.460 (11.68)	.670 (17.02)

## 1. Materials and Finishes

1-1. Connector Shell	Aluminum Alloy or Stainless Steel
1-2. Insulator	Glass Filled Thermoplastic
1-3. Pin, Socket Contact	Copper Alloy

## 2. Performance Specifications

2-1. Contact Rating	3 AMP
2-2. DWV	600 VAC Sea level
2-3. Insulation Resistance	5,000 MΩ minimum
2-4. Operating Temperature	-55° C to +125° C
2-5. Shock, Vibration	50 g., 20g.

★ Sungjin is able to customize other types of Micro-D connectors that are not in the catalog, please contact us.

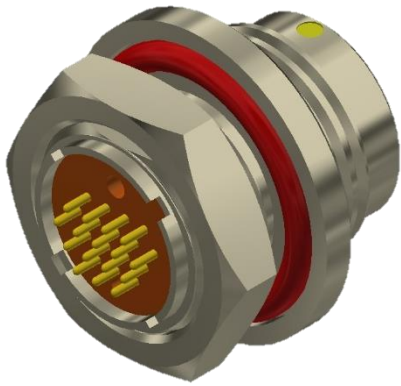


## SUNGJIN CONNECTOR & CONNECTION TECHNOLOGIES

TEL : 82-31-310-1700 FAX : 82-31-310-1701 www.sjcncr.co.kr

# MICRO D Circular Cable Connector

H



SUNGJIN Micro Circular Connectors provides quick-disconnect capability combined with a high performance contact system and rugged construction. Intended for panel to-cord I/O applications, these connectors are found in tactical military equipment, weapons systems and various instrumentation applications. Other custom versions are available.



Part Number

SJMCS

5

P

A3

C

910

Series

**SJMCS** = SUNGJIN MICRO  
Circular Series Connector

Contact Layout

5, 12, 16, 27, 39

Contact Style

**P** = Pin , Receptacle  
**S** = Socket , Plug

Wire Type

**A3** = M22759/11 - xxx  
**A2** = M16878/4 - xxx

Wire Color

**C** = Ten Color Repeating  
**W** = White

Wire Length(mm)

**150** = 152mm,    **300** = 305mm,    **450** = 455mm,    **610** = 610mm  
**910** = 915mm,    **1800** = 1820mm    **PCT** = PC Tail    **SLD** = Solder Cup

★ Sungjin is able to customize other types of Micro-D connectors that are not in the catalog, please contact us.

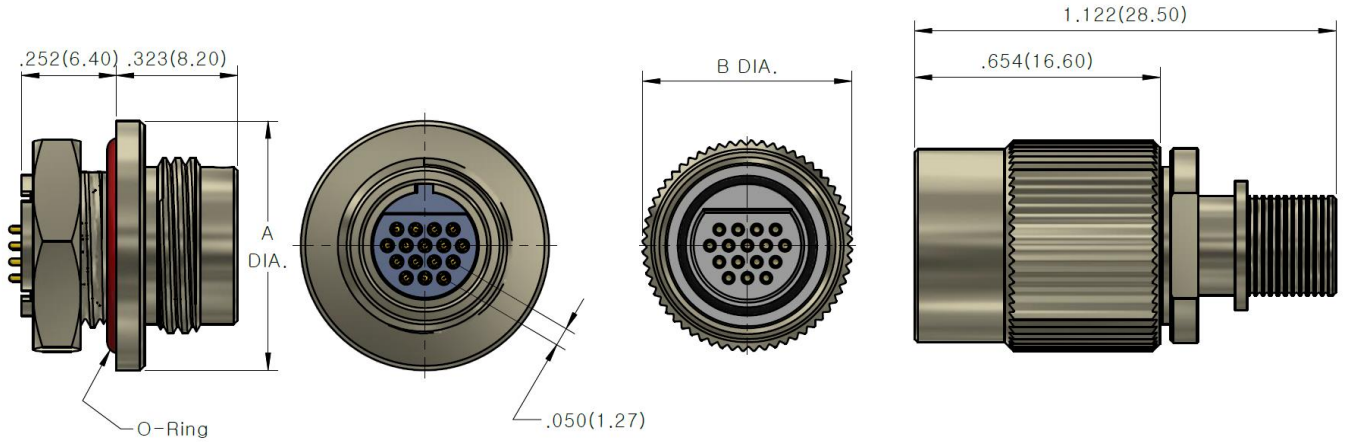


**SUNGJIN CONNECTOR & CONNECTION TECHNOLOGIES**

TEL : 82-31-310-1700 FAX : 82-31-310-1701 www.sjcncr.co.kr

# MICRO D Circular Cable Connector

# H



► Dimensions in inches(millimeters)

DIMENSIONS		
SIZE	A	B
5	.541(13.74)	.420(10.67)
12	.586(14.88)	.500(12.70)
16	.662(16.82)	.560(14.22)
27	.742(18.85)	.610(15.50)
39	1.325(20.85)	.680(17.27)

## 1. Materials and Finishes

1-1. Connector Shell	Aluminum Alloy or Stainless Steel
1-2. Insulator	Glass Filled Thermoplastic
1-3. Pin, Socket Contact	Copper Alloy

## 2. Performance Specifications

2-1. Contact Rating	3 AMP
2-2. DWV	600 VAC Sea level
2-3. Insulation Resistance	5,000 MΩ minimum
2-4. Operating Temperature	-55° C to +125° C
2-5. Shock, Vibration	50 g., 20g.

★ **Sungjin is able to customize other types of Micro-D connectors that are not in the catalog, please contact us.**



**SUNGJIN CONNECTOR & CONNECTION TECHNOLOGIES**

TEL : 82-31-310-1700 FAX : 82-31-310-1701 [www.sjcnc.co.kr](http://www.sjcnc.co.kr)

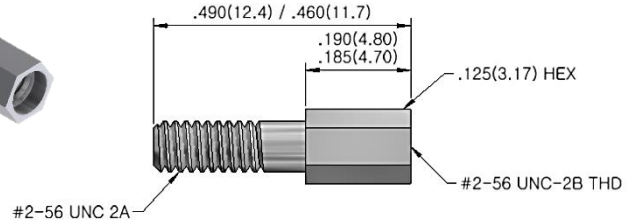
# MICRO D Accessories

## HARDWARE

### JACKPOST

- 1 kit consists of 2 posts, 2 washers and 2 nuts
- Material = Feature 300 series stainless steel

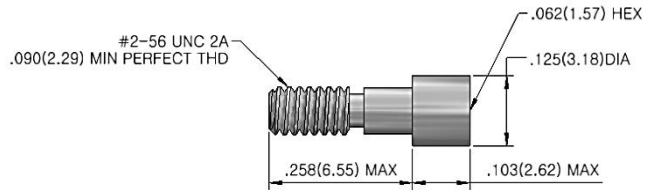
- PART NO. = **T**



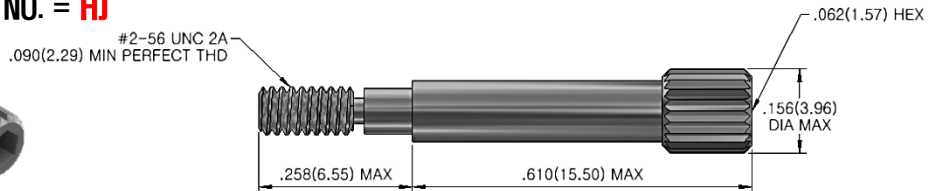
### JACKSCREW

- 1 kit consists of 2 screws and 2 e-rings
- Material = Feature 300 series stainless steel

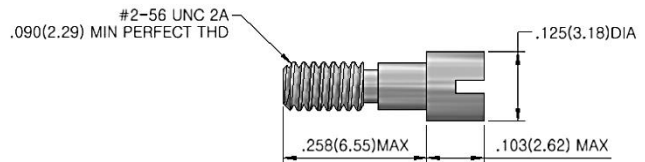
- HEX HEAD JACKSCREW ROW PROFILE
- PART NO. = **J**



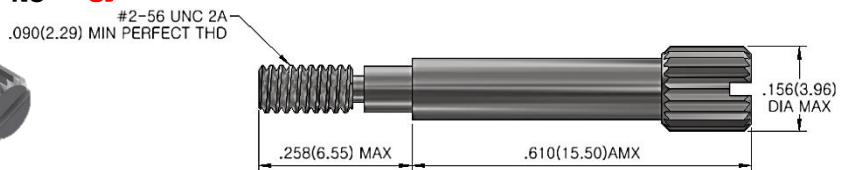
- HEX HEAD JACKSCREW HIGH PROFILE
- PART NO. = **HJ**



- SLOT HEAD JACKSCREW ROW PROFILE
- PART NO. = **J1**



- SLOT HEAD JACKSCREW HIGH PROFILE
- PART NO. = **SJ**



► Dimensions in inches(millimeters)

★ **Sungjin is able to customize other types of Micro-D connectors that are not in the catalog, please contact us.**



**SUNGJIN CONNECTOR & CONNECTION TECHNOLOGIES**

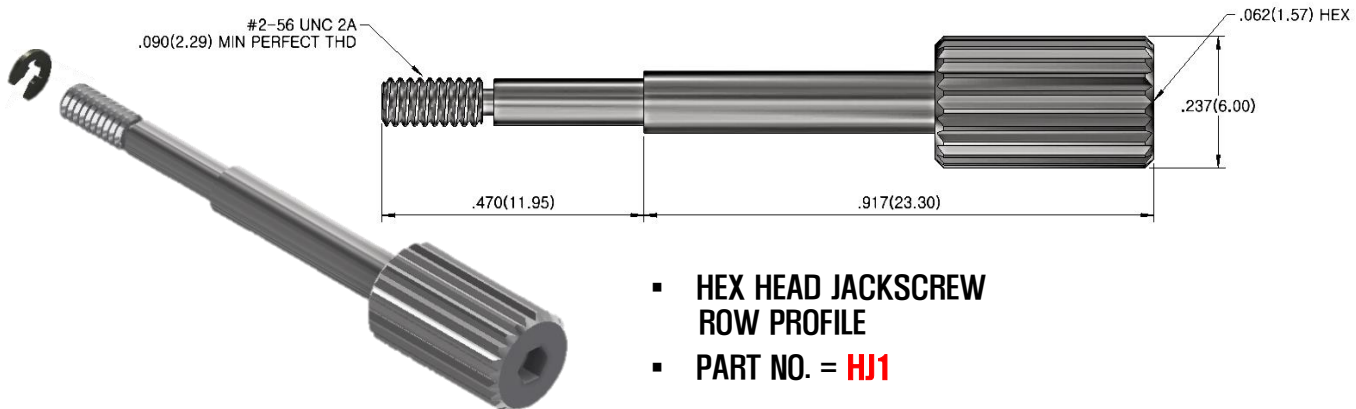
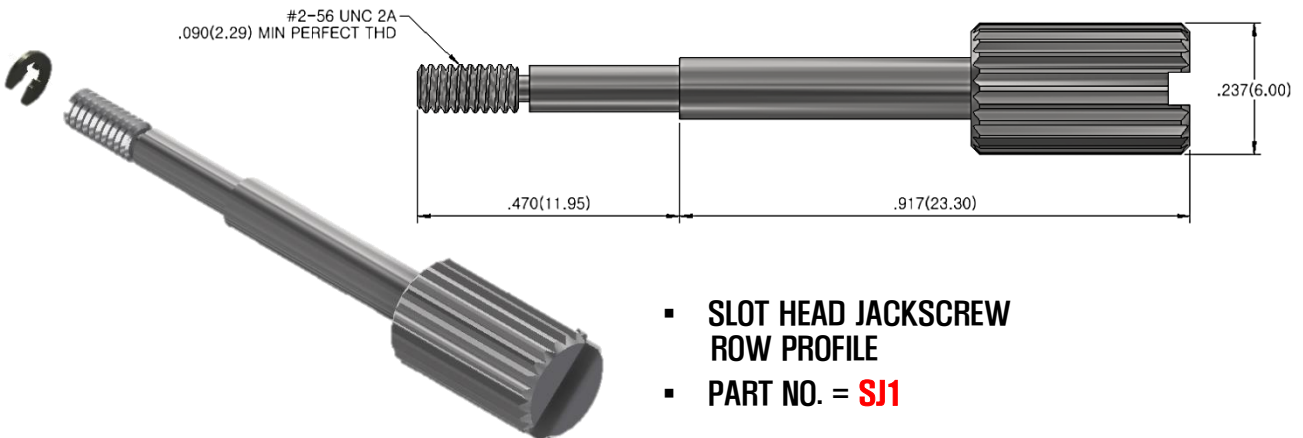
TEL : 82-31-310-1700 FAX : 82-31-310-1701 www.sjcnc.co.kr

# MICRO D Accessories

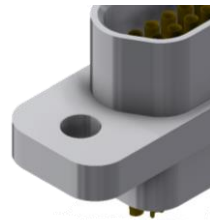
## HARDWARE

### LONG JACKSCREW

- 1 kit consists of 2 screws and 2 e-rings
- Material = Feature 300 series stainless steel



- Accessories are Not included
- PART NO. = **N**



► Dimensions in inches(millimeters)

★ **MIL Spec Hardware Kits**  
feature 300 series stainless steel.

★ **Sungjin is able to customize other types of Micro-D connectors that are not in the catalog, please contact us.**



**SUNGJIN CONNECTOR & CONNECTION TECHNOLOGIES**

TEL : 82-31-310-1700 FAX : 82-31-310-1701 [www.sjcnc.com](http://www.sjcnc.com)

# Our goals



- Best **QUALITY** goods,
  - On time **DELIVERY**,
  - Reasonable **PRICE**.
- an unbeatable combination!!

## **HEAD OFFICE**

362-5, Deaya-Dong, Sihung, Gyeonggi-Do  
429-010, KOREA  
Tel : 82-31-310-1700  
Fax : 82-31-310-1701

## **PUSAN AGENCY**

101-102, 2-Dong, Pusan Industrial Goods Center,  
578, Gwaebeop-Dong, Sasang-Gu, Pusan-Si, KOREA  
429-010, KOREA  
Tel : 82-51-317-8878  
Fax : 82-51-317-8871

## **CHINA AGENCY**

Huayang Bld. No.386 Qingnian St, Shenyang,  
China 110000  
Tel : +86-024-2318-0255  
Fax : +86-024-2318-0257

## **JAPAN AGENCY**

603,2-30-8,Higashikomatumagawa,  
Edogawaku,Tokyo,132-0033,JAPAN  
Tel : 81-3-6231-4530  
Fax : 81-3-6231-4529

## **USA AGENCY**

COSMO CONNECTORS CORPORATION  
10765 NOEL STREET  
Tel : 1-562-404-0123 ext. 300  
Fax : 1-562-404-0123



**SUNGJIN CONNECTORS & CONNECTION TECHNOLOGIES**

TEL : 82-31-310-1700 FAX : 82-31-310-1701 [www.sjcnc.com](http://www.sjcnc.com)