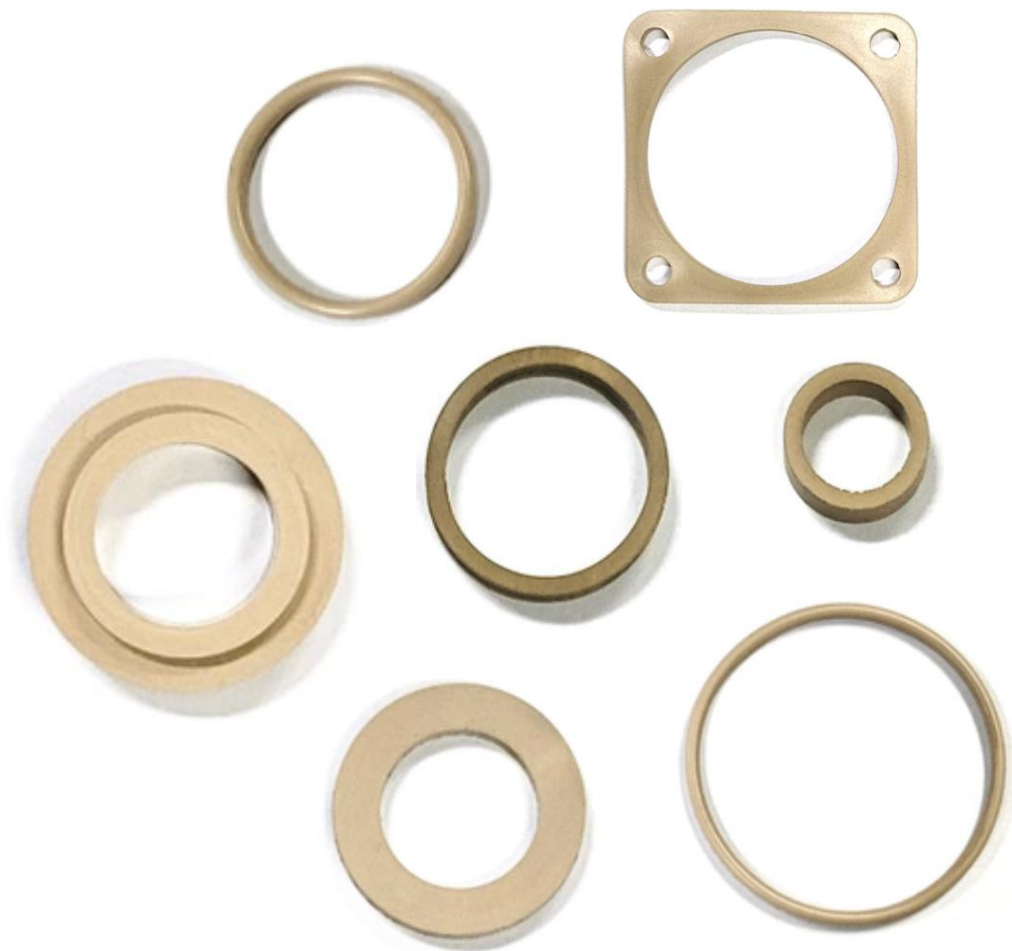




O-ring & Gasket



 **SUNGJIN C&T CO.,LTD.**

SUNGJIN CONNECTOR & CONNECTION TECHNOLOGY CO., LTD.





O-ring & Gasket

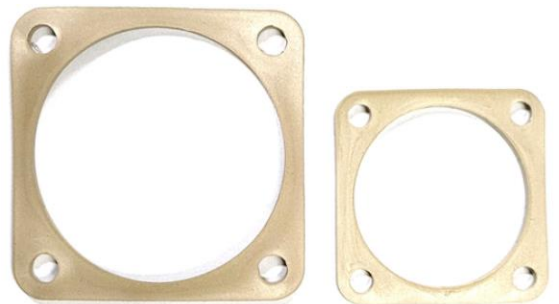
O-Ring



Cap Gasket



Gasket



SUNGJIN CONNECTOR & CONNECTION TECHNOLOGIES

TEL : #82-31-310-1700 FAX : #82-31-310-1701 www.sjcnt.co.kr



EMI Shielding Conductive Silicone Rubber

전기적 특성 Electrical properties

항목 Item	단위 Unit	결과 값 Result	시험 방법 Method
체적저항율 Volume Resistivity	Ω -cm	1.21×10^{-2}	ASTM D991
차폐율 Shielding Effectiveness	dB	80 ↑	ASTM D4935

물리적 특성 Physical properties

항목 Item	단위 Unit	결과 값 Result	시험 방법 Method
재질 Material	-	Silver Coated Copper & Silicone Rubber	-
경도 Hardness	Shore A	60±5	ASTM D2240
인장강도 Tensile Strength	Mpa	4.8	ASTM D412
신장율 Elongation	%	115	ASTM D412

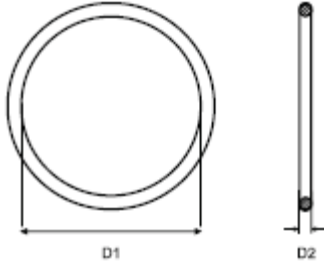




VG95234 CONNECTORS

O-Ring

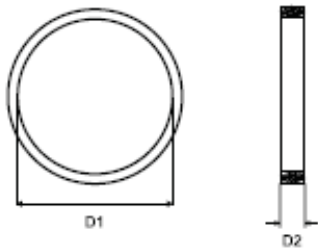
EMI shielded conductive O-ring
for jam nut receptacle shell type SJB07, 070



SJ145XX404C

Order No.	Shell size	ØD1 (max)	D2 (max)
SJ14510404C	10SL	23.5	2.6
SJ14512404C	12s	28.9	2.6
SJ14514404C	14s	31.3	2.6
SJ14516404C	16s & 16	35.3	2.6
SJ14518404C	18	37.7	2.6
SJ14520404C	20	41.6	2.6
SJ14522404C	22	44.0	2.6
SJ14524404C	24	47.2	2.6
SJ14528404C	28	53.5	2.6
SJ14532404C	32	60.2	2.6
SJ14536404C	36	67.3	2.6

EMI shielded conductive O-ring
for plug shell type SJB06



SJ145XX403C

Order No.	Shell Size	ØD1 (max)	D2 (max)
SJ14510403C	10SL	11.2	3.6
SJ14512403C	12s	14.0	3.6
SJ14514403C	14s	17.0	3.6
SJ14516403C	16s & 16	20.4	3.6
SJ14518403C	18	23.6	3.6
SJ14520403C	20	26.6	3.6
SJ14522403C	22	30.0	3.6
SJ14524403C	24	33.0	3.4
SJ14528403C	28	38.8	3.4
SJ14532403C	32	45.1	3.4
SJ14536403C	36	50.5	3.4

※ Materials of gaskets : SCC (EMI shielded conductive silicone)



SUNGJIN CONNECTOR & CONNECTION TECHNOLOGIES

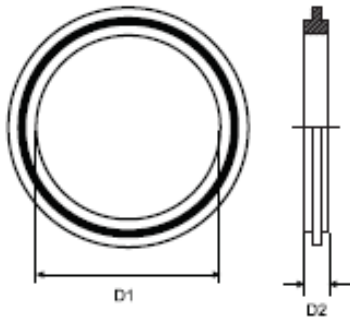
TEL : #82-31-310-1700 FAX : #82-31-310-1701 www.sjcncr.co.kr



VG95234 CONNECTORS

Cap gasket

EMI shielded conductive Gasket
for receptacle's cap type SJB KR, CRS, CRN

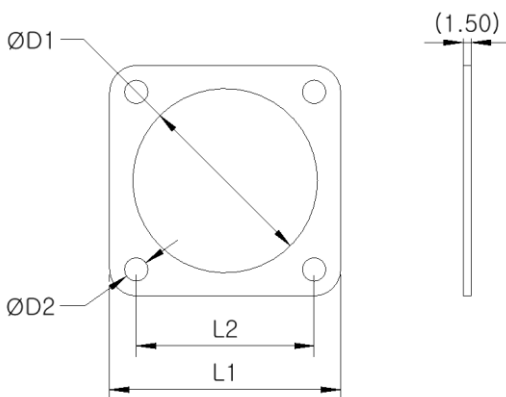


SJ145XX406C

Order No.	Shell size	ØD1 (max)	D2 (max)
SJ14510406C	10SL	11.5	4.5
SJ14512406C	12s	14.2	4.5
SJ14514406C	14s	17.3	4.0
SJ14516406C	16s & 16	20.6	4.0
SJ14518406C	18	24.0	4.0
SJ14520406C	20	27.0	4.0
SJ14522406C	22	30.0	4.0
SJ14524406C	24	33.2	4.0
SJ14528406C	28	38.8	4.0
SJ14532406C	32	45.1	4.0
SJ14536406C	36	50.5	4.0

Gasket

EMI shielded conductive Gasket
for receptacle shell type SJ3100, 3102



SJ141XX401C

Order No.	Shell Size	ØD1 (max)	ØD2 (max)	L1 (max)	L2 (max)
SJ14110401C	10SL	16.1	4.4	25.6	18.5
SJ14112401C	12s	19.3	4.4	28.2	20.9
SJ14114401C	14s	22.3	4.4	30.2	23.2
SJ14116401C	16s & 16	25.6	4.4	32.7	24.8
SJ14118401C	18	28.8	4.4	35.2	27.2
SJ14120401C	20	32.0	4.4	38.3	29.6
SJ14122401C	22	33.2	4.4	41.5	32.0
SJ14124401C	24	36.2	5.3	44.7	35.1
SJ14128401C	28	44.5	5.3	51.0	39.9
SJ14132401C	32	51.0	5.8	57.4	44.7
SJ14136401C	36	57.2	5.8	63.7	49.4

※ Materials of gaskets : SCC (EMI shielded conductive silicone)



SUNGIN CONNECTOR & CONNECTION TECHNOLOGIES

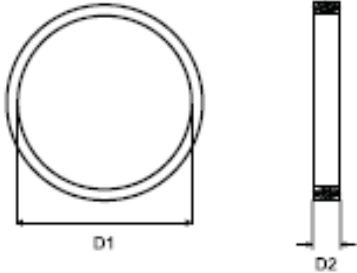
TEL : #82-31-310-1700 FAX : #82-31-310-1701 www.sjcnc.co.kr



5015 CONNECTORS

O-Ring

EMI shielded conductive O-ring
for plug shell type 3106, 3108

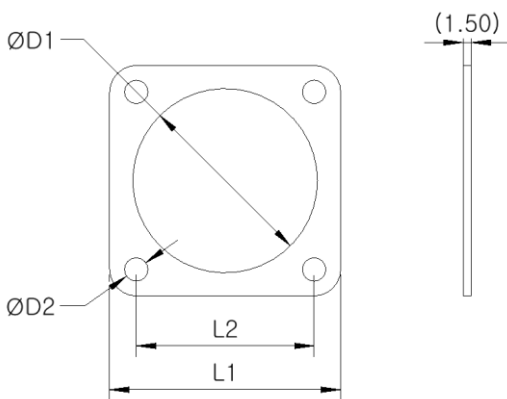


S09164C02-XX

DASH No.	Shell size	ØD1 (max)	D2 (max)
-10	10S	11.0	1.8
-12	12	13.7	1.8
-14	14	16.8	1.8
-16	16	20.0	1.8
-18	18	23.2	1.8
-20	20	26.2	1.8
-22	22	29.5	1.8
-24	24	32.6	1.8
-28	28	38.2	1.8
-32	32	44.5	1.8
-36	36	50.0	1.8

Gasket

EMI shielded conductive Gasket
for receptacle shell type SJ3100, 3102



SJ141XX401C

Order No.	Shell Size	ØD1 (max)	ØD2 (max)	L1 (max)	L2 (max)
SJ14110401C	10SL	16.1	4.4	25.6	18.5
SJ14112401C	12s	19.3	4.4	28.2	20.9
SJ14114401C	14s	22.3	4.4	30.2	23.2
SJ14116401C	16s & 16	25.6	4.4	32.7	24.8
SJ14118401C	18	28.8	4.4	35.2	27.2
SJ14120401C	20	32.0	4.4	38.3	29.6
SJ14122401C	22	33.2	4.4	41.5	32.0
SJ14124401C	24	36.2	5.3	44.7	35.1
SJ14128401C	28	44.5	5.3	51.0	39.9
SJ14132401C	32	51.0	5.8	57.4	44.7
SJ14136401C	36	57.2	5.8	63.7	49.4

※ Materials of gaskets : SCC (EMI shielded conductive silicone)



SUNGJIN CONNECTOR & CONNECTION TECHNOLOGIES

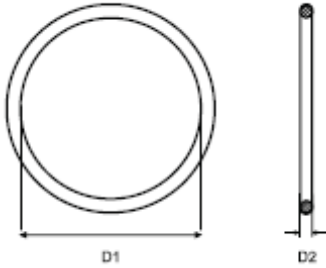
TEL : #82-31-310-1700 FAX : #82-31-310-1701 www.sjcncr.co.kr



26482 CONNECTORS

O-Ring

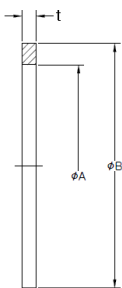
EMI shielded conductive O-ring
for jam nut receptacle shell type SJ3114



SJ143XX402C

Order No.	Shell size	ØD1 (max)	D2 (max)
SJ14308402C	8	16.50	1.90
SJ14310402C	10	19.70	1.90
SJ14312402C	12	24.50	1.90
SJ14314402C	14	27.70	1.90
SJ14316402C	16	30.50	1.90
SJ14318402C	18	34.00	1.90
SJ14320402C	20	38.50	2.90
SJ14322402C	22	41.90	2.90
SJ14324402C	24	45.10	2.90

EMI shielded conductive O-ring
for jam nut receptacle shell type SJ3114



C02-5006-02

DASH No.	Shell Size	ØA (max)	ØB (max)	t (max)
-08	08	8.1	10.65	2.10
-10	10	11.1	13.90	2.10
-12	12	14.0	17.70	2.10
-14	14	17.1	20.90	2.10
-16	16	20.3	24.05	2.10
-18	18	22.6	26.60	2.10
-20	20	25.7	29.75	2.10
-22	22	28.9	32.95	2.10
-24	24	32.1	36.10	2.10

※ Materials of gaskets : SCC (EMI shielded conductive silicone)



SUNGIN CONNECTOR & CONNECTION TECHNOLOGIES

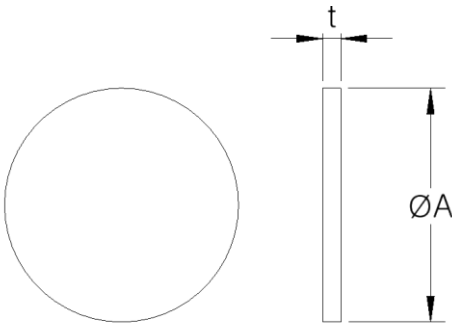
TEL : #82-31-310-1700 FAX : #82-31-310-1701 www.sjcnt.co.kr



26482 CONNECTORS

Cap gasket

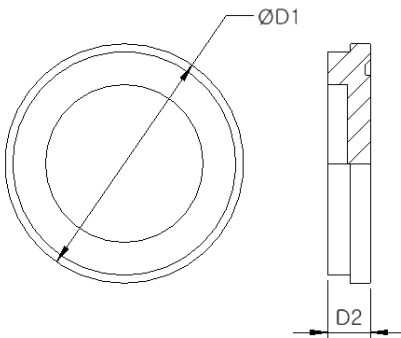
EMI shielded conductive Gasket for plug's cap type SJ3180



SJ3180-XXECG

Order No.	Shell size	ØA (max)	t (max)
SJ3180-08ECG	8	10.3	2.4
SJ3180-10ECG	10	13.4	2.4
SJ3180-12ECG	12	16.0	2.4
SJ3180-14ECG	14	20.5	2.4
SJ3180-16ECG	16	23.6	2.4
SJ3180-18ECG	18	26.2	2.4
SJ3180-20ECG	20	29.1	2.4
SJ3180-22ECG	22	32.5	2.4
SJ3180-24ECG	24	35.5	2.4

EMI shielded conductive Gasket for jam nut receptacle's cap type SJ3181



SJ3181-XXECG

Order No.	Shell size	ØD1 (max)	D2 (max)
SJ3181-08ECG	8	13.5	4.6
SJ3181-10ECG	10	17.1	4.6
SJ3181-12ECG	12	20.6	4.6
SJ3181-14ECG	14	24.2	4.6
SJ3181-16ECG	16	27.6	4.6
SJ3181-18ECG	18	30.5	4.6
SJ3181-20ECG	20	34.1	4.6
SJ3181-22ECG	22	37.1	4.6
SJ3181-24ECG	24	40.5	4.6

※ Materials of gaskets : SCC (EMI shielded conductive silicone)



SUNGIN CONNECTOR & CONNECTION TECHNOLOGIES

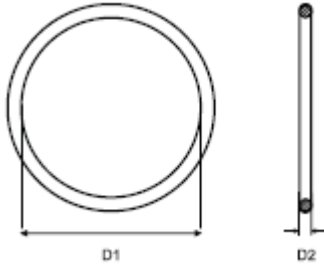
TEL : #82-31-310-1700 FAX : #82-31-310-1701 www.sjcnt.co.kr



22992 CONNECTORS

O-Ring

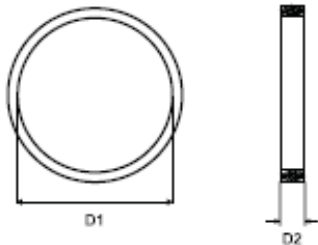
EMI shielded conductive O-ring for jam nut receptacle shell type SJ17347, 17348



SJ17347-XXEOR

Order No.	Shell size	ØD1 (max)	D2 (max)
SJ17347-12EOR	12	28.30	1.78
SJ17347-14EOR	14	31.47	1.78
SJ17347-16EOR	16	37.82	1.78
SJ17347-18EOR	18	41.00	1.78
SJ17347-20EOR	20	43.50	2.00
SJ17347-22EOR	22	47.50	2.00
SJ17347-24EOR	24	52.50	2.00
SJ17347-28EOR	28	59.50	2.00
SJ17347-32EOR	32	64.50	2.00
SJ17347-36EOR	36	70.50	2.00

EMI shielded conductive O-ring for plug shell type SJ17344



S09188C02-XX

Order No.	Shell size	ØD1 (max)	D2 (max)
S09188C02-12	12	14.2	2.2
S09188C02-14	14	17.2	2.2
S09188C02-16	16	20.6	2.2
S09188C02-18	18	23.8	2.2
S09188C02-20	20	26.9	2.2
S09188C02-22	22	30.2	2.2
S09188C02-24	24	33.2	2.2
S09188C02-28	28	38.8	2.2
S09188C02-32	32	45.2	2.2
S09188C02-36	36	50.5	2.2
S09188C02-40	40	56.9	2.2

※ Materials of gaskets : SCC (EMI shielded conductive silicone)



SUNGIN CONNECTOR & CONNECTION TECHNOLOGIES

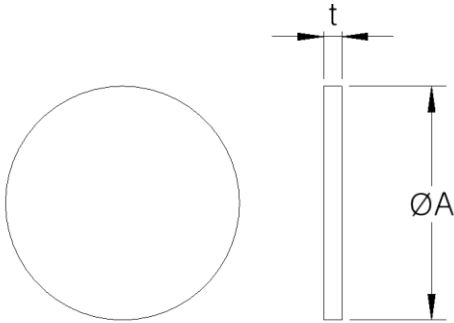
TEL : #82-31-310-1700 FAX : #82-31-310-1701 www.sjcncr.co.kr



22992 CONNECTORS

Cap gasket

EMI shielded conductive Gasket for receptacle's cap type SJ17349

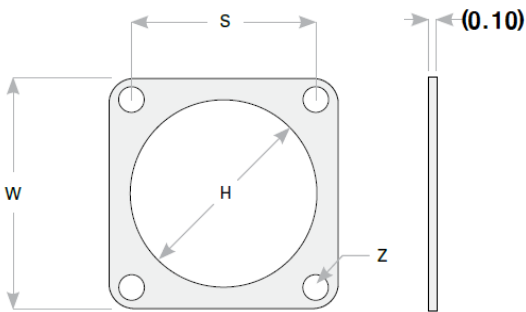


SJ17349-XXECG

Order No.	Shell size	ØA (max)	t (max)
SJ17349-16ECG	16	28.2	2.0
SJ17349-18ECG	18	31.4	2.0
SJ17349-20ECG	20	34.6	2.0
SJ17349-22ECG	22	37.8	2.0
SJ17349-24ECG	24	44.1	2.0
SJ17349-28ECG	28	50.5	2.0
SJ17349-32ECG	32	56.8	2.0
SJ17349-36ECG	36	63.2	2.0
SJ17349-40ECG	40	69.5	2.0
SJ17349-44ECG	44	75.9	2.0

Gasket

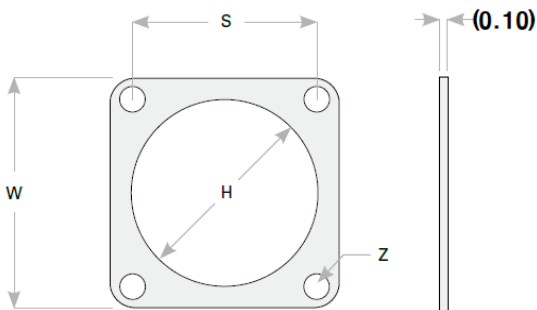
EMI shielded conductive Gasket for receptacle shell type class QWLD



SJ22992-QWLD-XXESQG

Order No.	Shell Size	W (max)	S (max)	ØZ (max)	ØH (max)
SJ22992-QWLD-12ESQG	12	30.4	23.2	4.6	22.4
SJ22992-QWLD-14ESQG	14	32.7	24.8	4.6	25.6
SJ22992-QWLD-16ESQG	16	35.1	27.2	4.6	28.8
SJ22992-QWLD-18ESQG	18	38.3	29.6	5.4	32.0
SJ22992-QWLD-20ESQG	20	41.5	32.0	5.4	35.1
SJ22992-QWLD-22ESQG	22	44.7	35.1	5.4	38.3
SJ22992-QWLD-24ESQG	24	51.0	39.9	5.4	44.7
SJ22992-QWLD-28ESQG	28	57.4	44.7	5.4	51.0
SJ22992-QWLD-32ESQG	32	63.7	49.4	5.8	55.8
SJ22992-QWLD-36ESQG	36	70.1	55.8	5.8	62.1

EMI shielded conductive Gasket for receptacle shell type class L



SJ22992-L-XXESQG

Order No.	Shell Size	W (max)	S (max)	ØZ (max)	ØH (max)
SJ22992-L-28ESQG	28	60.5	47.0	4.7	50.4
SJ22992-L-32ESQG	32	66.9	52.6	5.5	56.8
SJ22992-L-44ESQG	44	85.9	71.6	7.3	79.0
SJ22992-L-52ESQG	52	98.6	80.4	7.3	91.7

※ Materials of gaskets : SCC (EMI shielded conductive silicone)



SUNGJIN CONNECTOR & CONNECTION TECHNOLOGIES

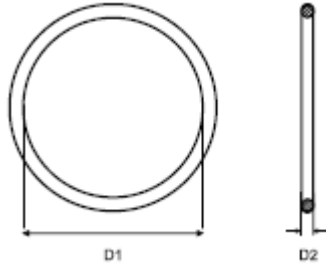
TEL : #82-31-310-1700 FAX : #82-31-310-1701 www.sjcnt.co.kr



SJD38999 SE.1 CONNECTORS

O-Ring

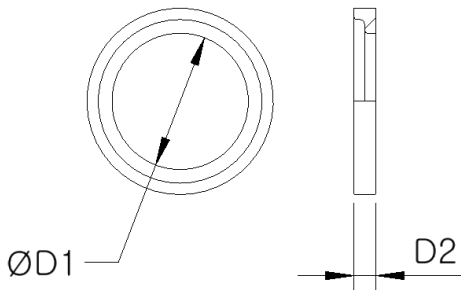
EMI shielded conductive O-ring for jam nut receptacle shell type SJ27468



SJ27468-XXEOR

Order No.	Shell size	ØD1 (max)	D2 (max)
SJ27468-09EOR	9	19.50	1.5
SJ27468-11EOR	11	24.50	2.0
SJ27468-13EOR	13	27.50	2.0
SJ27468-15EOR	15	31.00	2.0
SJ27468-17EOR	17	34.50	2.0
SJ27468-19EOR	19	35.70	3.5
SJ27468-21EOR	21	39.70	3.5
SJ27468-23EOR	23	42.70	3.5
SJ27468-25EOR	25	45.70	3.5

EMI shielded conductive O-ring for jam nut receptacle shell type SJ27468



SJ27468-XXEAOR

Order No.	Shell size	ØD1 (max)	D2 (max)
SJ27468-09EAOR	9	7.7	2.7
SJ27468-11EAOR	11	10.9	2.7
SJ27468-13EAOR	13	13.8	2.7
SJ27468-15EAOR	15	16.9	2.7
SJ27468-17EAOR	17	20.2	2.7
SJ27468-19EAOR	19	22.4	2.7
SJ27468-21EAOR	21	25.6	2.7
SJ27468-23EAOR	23	28.8	2.7
SJ27468-25EAOR	25	32.0	2.7

※ Materials of gaskets : SCC (EMI shielded conductive silicone)

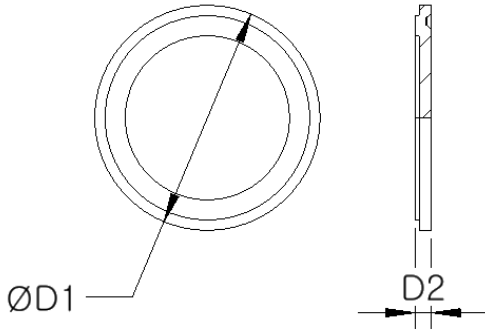




SJD38999 SE.1 CONNECTORS

Cap gasket

EMI shielded conductive Gasket for receptacle's cap type SJ27502

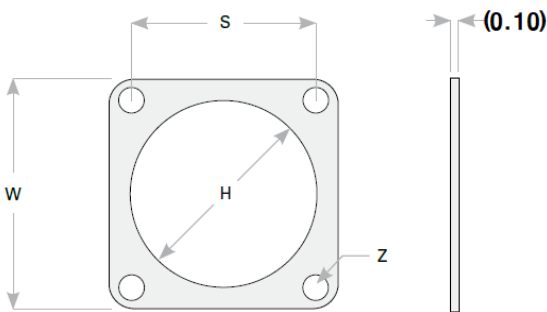


SJ27502-XXECG

Order No.	Shell size	ØD1 (max)	D2 (max)
SJ27502-09ECG	9	17.0	2.0
SJ27502-11ECG	11	20.5	2.0
SJ27502-13ECG	13	24.5	2.0
SJ27502-15ECG	15	27.5	2.0
SJ27502-17ECG	17	30.5	2.0
SJ27502-19ECG	19	33.5	2.0
SJ27502-21ECG	21	36.5	2.0
SJ27502-23ECG	23	39.5	2.0
SJ27502-25ECG	25	43.0	2.0

Gasket

EMI shielded conductive Gasket for receptacle shell type SJD38999 SE.1



SJ38999-1-XXESQG

Order No.	Shell Size	W (max)	S (max)	ØZ (max)	ØH (max)
SJ38999-1-09ESQG	9	24.0	18.5	3.4	17.6
SJ38999-1-11ESQG	11	26.4	20.8	3.4	19.8
SJ38999-1-13ESQG	13	28.8	23.2	3.4	24.0
SJ38999-1-15ESQG	15	32.0	24.8	3.4	27.2
SJ38999-1-17ESQG	17	34.3	27.2	3.4	30.3
SJ38999-1-19ESQG	19	37.5	29.6	3.4	33.5
SJ38999-1-21ESQG	21	39.9	32.0	3.4	36.7
SJ38999-1-23ESQG	23	43.5	35.1	4.1	39.9
SJ38999-1-25ESQG	25	46.2	38.3	4.1	40.8

※ Materials of gaskets : SCC (EMI shielded conductive silicone)



SUNGJIN CONNECTOR & CONNECTION TECHNOLOGIES

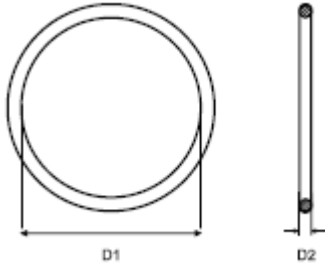
TEL : #82-31-310-1700 FAX : #82-31-310-1701 www.sjcncr.co.kr



SJD38999 SE.3 CONNECTORS

O-Ring

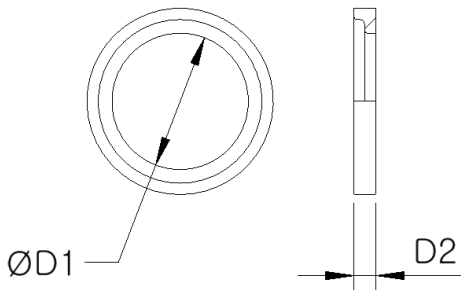
EMI shielded conductive O-ring
for jam nut receptacle shell type SJ38999/24



SJ38999/24-XXEOR

Order No.	Shell size	Military Shell size	ØD1 (max)	D2 (max)
SJ38999/24-09EOR	9	A	20.8	2.1
SJ38999/24-11EOR	11	B	25.6	2.1
SJ38999/24-13EOR	13	C	28.8	2.1
SJ38999/24-15EOR	15	D	32.0	2.1
SJ38999/24-17EOR	17	E	35.2	2.1
SJ38999/24-19EOR	19	F	38.4	2.1
SJ38999/24-21EOR	21	G	41.5	2.1
SJ38999/24-23EOR	23	H	44.8	2.1
SJ38999/24-25EOR	25	J	47.9	2.1

EMI shielded conductive O-ring
for jam nut receptacle shell type SJ38999/24



SJ38999/24-XXEAOR

Order No.	Shell size	ØD1 (max)	D2 (max)
SJ38999/24-09EAOR	9	7.7	2.7
SJ38999/24-11EAOR	11	10.9	2.7
SJ38999/24-13EAOR	13	13.8	2.7
SJ38999/24-15EAOR	15	16.9	2.7
SJ38999/24-17EAOR	17	20.2	2.7
SJ38999/24-19EAOR	19	22.4	2.7
SJ38999/24-21EAOR	21	25.6	2.7
SJ38999/24-23EAOR	23	28.8	2.7
SJ38999/24-25EAOR	25	32.0	2.7

※ Materials of gaskets : SCC (EMI shielded conductive silicone)



SUNGIN CONNECTOR & CONNECTION TECHNOLOGIES

TEL : #82-31-310-1700 FAX : #82-31-310-1701 www.sjcncr.co.kr

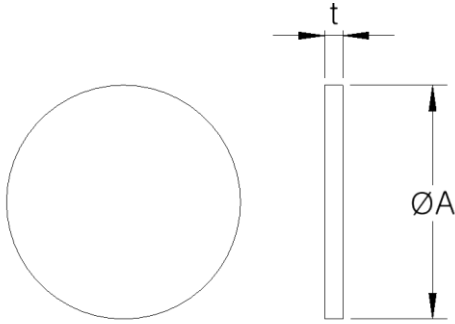


SJD38999 SE.3 CONNECTORS

Cap gasket

EMI shielded conductive Gasket for receptacle's cap type SJ38999/33

*Although applicable to for plug's cap type SJ38999/32 covers, Actual size may not match.

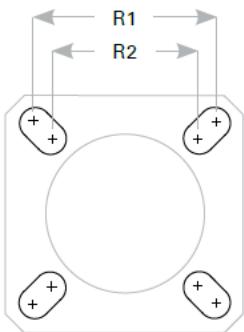
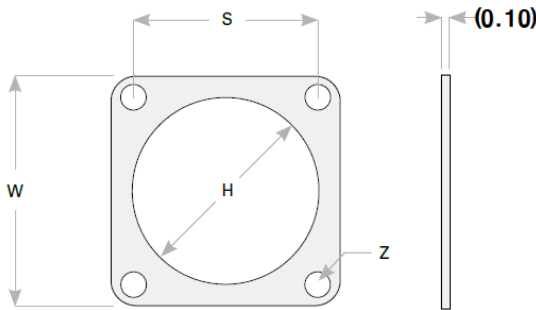


SJ38999/33-XXECG

Order No.	Shell size	ØD1 (max)	D2 (max)
SJ38999/33-09ECG	9	15.4	1.8
SJ38999/33-11ECG	11	18.6	1.8
SJ38999/33-13ECG	13	21.7	1.8
SJ38999/33-15ECG	15	25.0	1.8
SJ38999/33-17ECG	17	29.7	1.8
SJ38999/33-19ECG	19	31.3	1.8
SJ38999/33-21ECG	21	34.5	1.8
SJ38999/33-23ECG	23	37.7	1.8
SJ38999/33-25ECG	25	41.0	1.8

Gasket

EMI shielded conductive Gasket for receptacle shell type SJD38999 SE.3



SJ38999-3-XXESG

Order No.	Shell Size	Military Shell Size	W (max)	S (max)	ØZ (max)	ØH (max)	Hole
SJ38999-3-09ESG	9	A	25.6	18.5	4.6	16.1	R1
			22.4	15.3	4.6	12.9	R2
SJ38999-3-11ESG	11	B	28.0	20.9	4.6	19.3	R1
			25.6	18.5	4.6	16.1	R2
SJ38999-3-13ESG	13	C	30.4	23.2	4.6	22.4	R1
			28.0	20.9	4.6	19.3	R2
SJ38999-3-15ESG	15	D	32.7	24.8	4.6	25.6	R1
			30.4	23.2	4.6	22.4	R2
SJ38999-3-17ESG	17	E	35.1	27.2	5.4	28.8	R1
			32.7	24.8	4.6	25.6	R2
SJ38999-3-19ESG	19	F	38.3	29.6	5.4	32.0	R1
			35.1	27.2	5.4	28.8	R2
SJ38999-3-21ESG	21	G	41.5	32.0	5.4	35.1	R1
			38.3	29.6	5.4	32.0	R2
SJ38999-3-23ESG	23	H	44.7	35.1	5.4	38.3	R1
			41.5	32.0	5.4	35.1	R2
SJ38999-3-25ESG	25	J	45.5	38.3	4.1	41.5	R1
			44.7	35.1	5.4	38.3	R2

※ Materials of gaskets : SCC (EMI shielded conductive silicone)



SUNGIN CONNECTOR & CONNECTION TECHNOLOGIES

TEL : #82-31-310-1700 FAX : #82-31-310-1701 www.sjcnt.co.kr