

■ High Voltage Switching Diodes

■ Features

- Fast switching
- Designed for surface mount application
- Plastic material-UL recognition flammability classification 94V-0

■ Applications

Surface mount fast switching diode

■ Marking

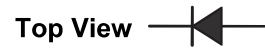
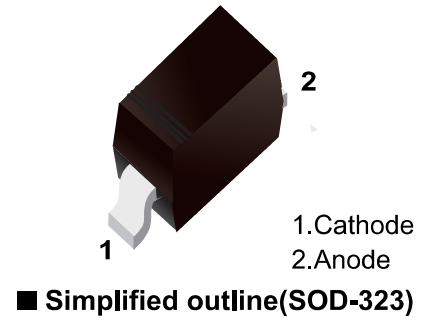
Marking	JS
---------	----

■ Absolute Maximum Ratings Ta = 25°C

Characteristic	Symbol	Value	Unit
Continuous Reverse Voltage	$V_R$	250	V
Repetitive Peak Reverse Voltage	$V_{RRM}$	250	V
Forward Continuous Current	$I_F$	200	mA
Peak forward surge current	$I_{FSM}$	625	mA
Power Dissipation	$P_d$	200	mW
Thermal Resistance Junction to Ambient	$R_{\theta JA}$	635	°C/W
Junction and Storage Temperature Range	$T_j, T_{STG}$	-55 to +150	°C

■ Electrical Characteristics Ta = 25°C

Characteristic	Symbol	Min	Max	Unit	Test Condition
Reverse Breakdown Voltage	$V_{(BR)R}$	250	-	V	$I_R=100\mu A$
Forward Voltage	$V_F$	-	1000 1250	mV	$I_F=100mA$ $I_F=200mA$
Reverse Current	$I_R$	-	0.1 100	$\mu A$	$V_R=200V$ $V_R=200V, T_j=150^\circ C$
Diode Capacitance	$C_D$	-	5	pF	$V_R=0, f=1.0MHz$
Reverse Recovery Time	$t_{rr}$	-	50	ns	$I_F=I_R=30mA, R_L=100\Omega$



■ Typical Characteristics

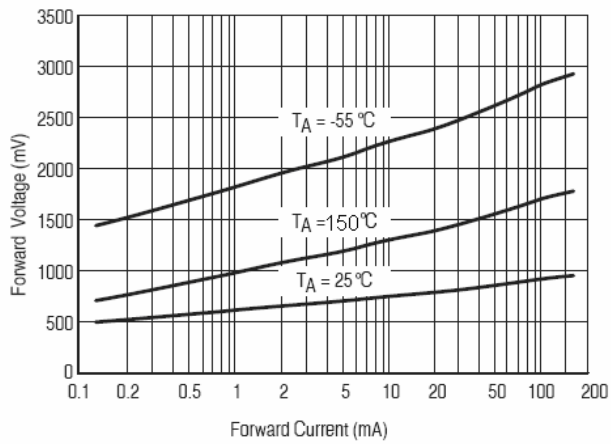


Figure 1. Forward Voltage

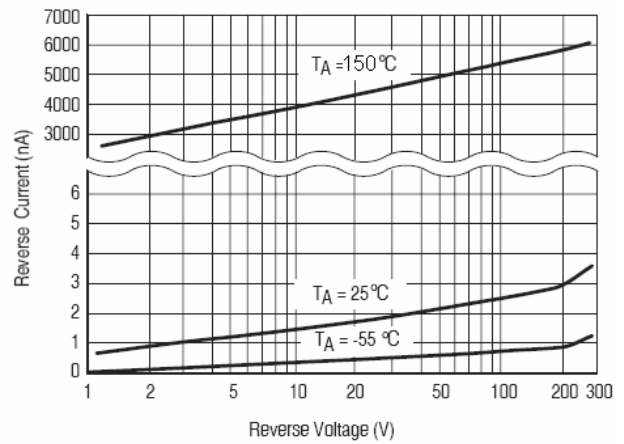
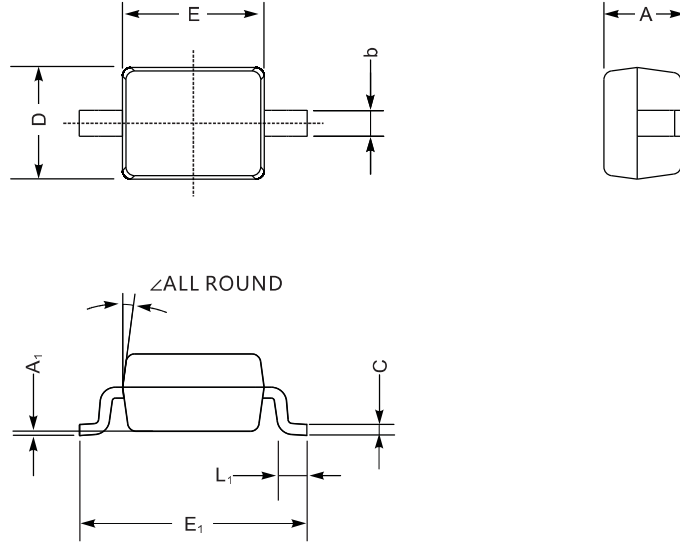


Figure 2. Reverse Leakage

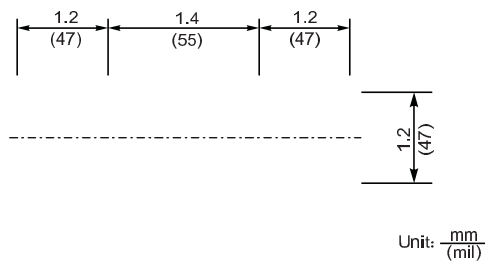
**Package Outline SOD-323**

Plastic surface mounted package; 2 leads



UNIT		A	C	D	E	E <sub>1</sub>	b	L <sub>1</sub>	A <sub>1</sub>	∠
mm	max	1.1	0.15	1.4	1.8	2.75	0.4	0.45	0.2	9°
	min	0.8	0.08	1.2	1.4	2.55	0.25	0.2	—	
mil	max	43	5.9	55	70	108	16	16	8	
	min	32	3.1	47	63	100	9.8	7.9	—	

**The recommended mounting pad size**



**Summary of Packing Options**

Package	Packing Description	Packing Quantity	Industry Standard
SOD-323	Tape/Reel, 7" reel	3000	EIA-481-1