

35 A GLASS PASSIVATED BRIDGE RECTIFIER

Reverse Voltage - 100 to 1200 V

Forward Current – 35 A

FEATURES

- ◆ High current capability
- ◆ Low forward voltage drop
- ◆ Glass Passivated Chip Junction
- ◆ Low power loss, high efficiency
- ◆ Lead free in comply with EU RoHS 2011/65/EU directives

MECHANICAL DATA

- ◆ Case: GBPC
- ◆ Polarity: Symbol marked on body
- ◆ Mounting position: Any



Maximum Ratings and Electrical characteristics

Ratings at 25 °C ambient temperature unless otherwise specified.

Parameter	Symbols	GBPC 3501	GBPC 3502	GBPC 3504	GBPC 3506	GBPC 3508	GBPC 3510	GBPC 3512	Units
Maximum Repetitive Peak Reverse Voltage	V_{RRM}	100	200	400	600	800	1000	1200	V
Maximum RMS voltage	V_{RMS}	70	140	280	420	560	700	1140	V
Maximum DC Blocking Voltage	V_{DC}	100	200	400	600	800	1000	1200	V
Maximum Average Forward Rectified Current @T _C =55 °C	$I_{(AV)}$	35							A
Peak Forward Surge Current 8.3 ms Single Half Sine-Wave Superimposed on Rated Load (JEDEC method)	I_{FSM}	400							A
Forward Voltage per element @I _F =4.0A and 25°C	V_F	1.1							V
Maximum DC Reverse Current @T _J =25°C at Rated DC Blocking Voltage @T _J =125°C	I_R	5 500							μA
I ² t Rating for Fusing(3ms≤t≤8.3ms)	I^2t	664							A ² S
Operating and Storage Temperature Range	T _j , T _{stg}	-55 ~ +150							°C

(1) Measured at 1 MHz and applied reverse voltage of 4 V D.C

(2) Thermal Resistance Junction to Case, Lead and Ambient.

Fig. 1 - Forward Current Derating Curve

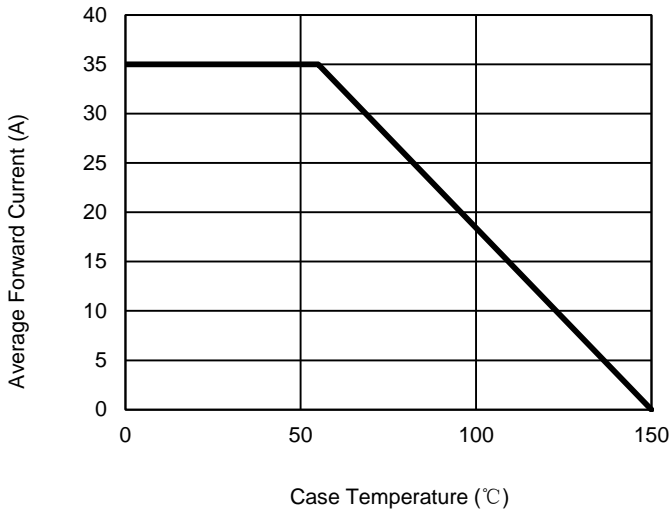


Fig. 2 - Maximum Non-Repetitive Surge Current

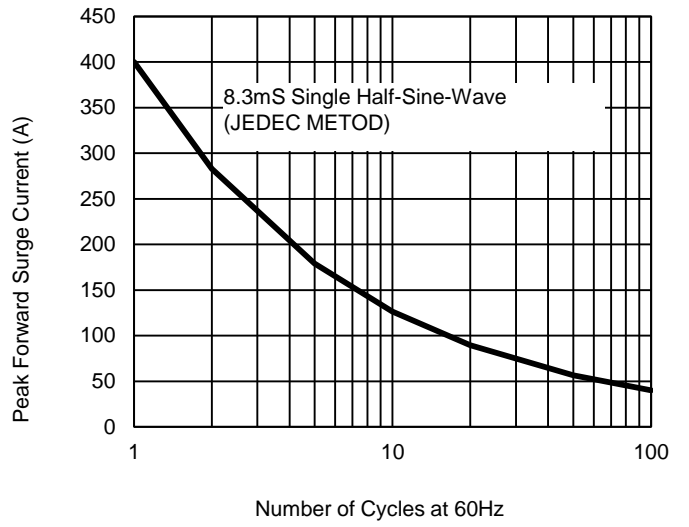


Fig. 3 - Typical Reverse Characteristics

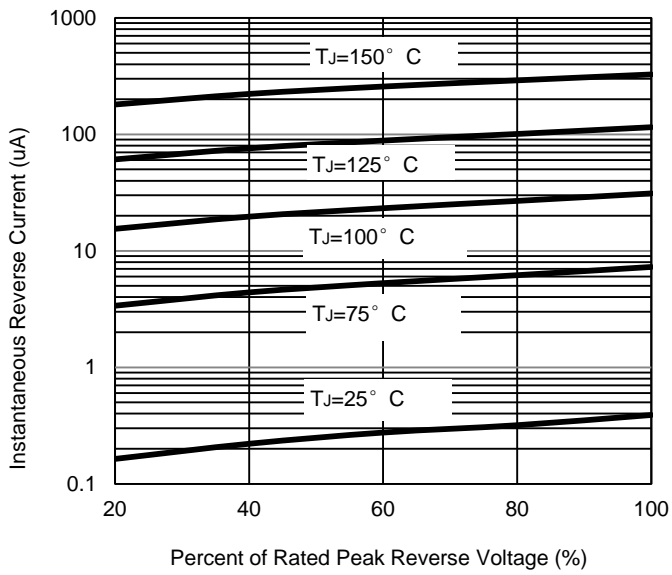
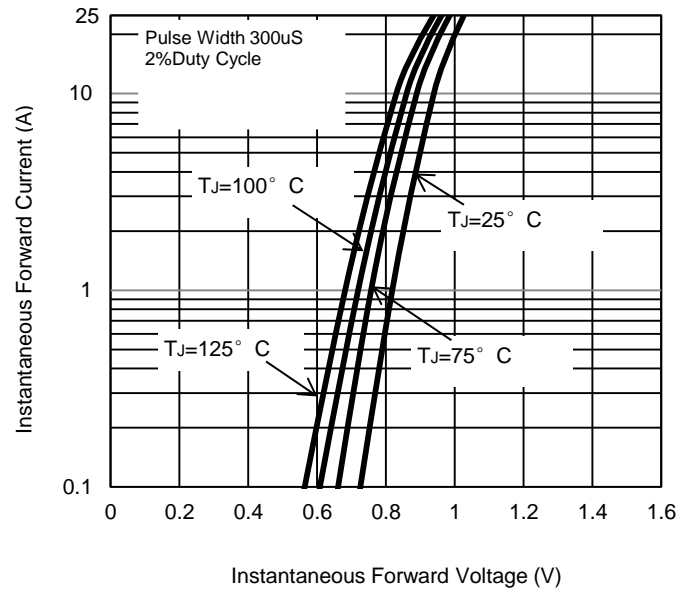
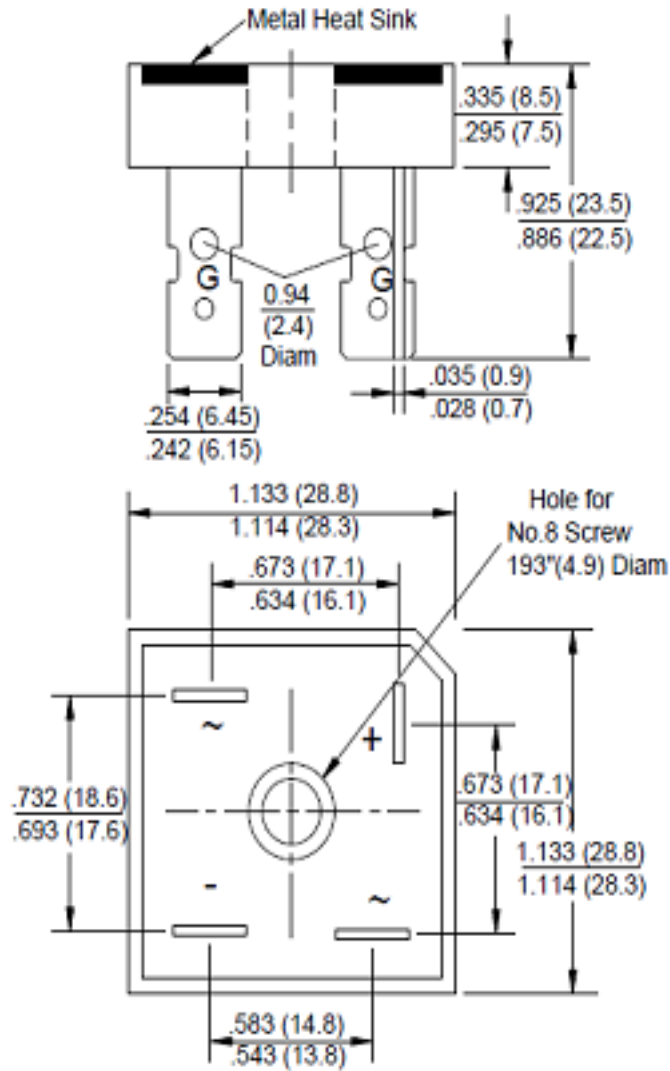


Fig. 4 - Typical Forward Characteristics



Package Outline

GBPC



Summary of Packing Options

Package	Packing Description	Packing Quantity	Industry Standard
GBPC	BOX	50	EIA-481-1