

35 A GLASS PASSIVATED BRIDGE RECTIFIER

Reverse Voltage - 100 to 1000 V

Forward Current – 35 A

Features

- ◆ Glass passivated die construction
- ◆ Low forward voltage drop
- ◆ Plastic material-UL flammability 94V-0
- ◆ Lead free in comply with EU RoHS 2011/65/EU directives

Mechanical Data

- ◆ Case: GBPCW
- ◆ Polarity: Symbol marked on body
- ◆ Mounting Position: Any
- ◆ Lead Free: For RoHS / Lead Free Version



Maximum Ratings and Electrical characteristics

Ratings at 25 °C ambient temperature unless otherwise specified.

Parameter	Symbols	GBPC 3501W	GBPC 3502W	GBPC 3504W	GBPC 3506W	GBPC 3508W	GBPC 3510W	Units
Maximum Repetitive Peak Reverse Voltage	V_{RRM}	100	200	400	600	800	1000	V
Maximum RMS Voltage	V_{RWM}	70	140	280	420	560	700	V
Maximum DC Blocking Voltage	V_{RMS}	100	200	400	600	800	1000	V
Maximum Average Forward Rectified Current @TC=55 °C	$I_{(AV)}$	35						A
Peak Forward Surge Current, 8.3mS Single Half Sine-Wave, Superimposed on Rated Load (JEDEC Method)	I_{FSM}	400						A
I^2t Rating for Fusing (t<8.3mS)	I^2t	664						A ² S
Peak Forward Voltage per Diode at 17.5A DC	V_F	1.1						V
Maximum DC Reverse Current at Rated @TJ=25°C DC Blocking Voltage per Diode @TJ=125°C	I_R	5 500						uA
Operating and Storage Temperature Range	T_j, T_{stg}	-55 ~ +150						°C

Rating and Characteristic Curves

Fig. 1 - Forward Current Derating Curve

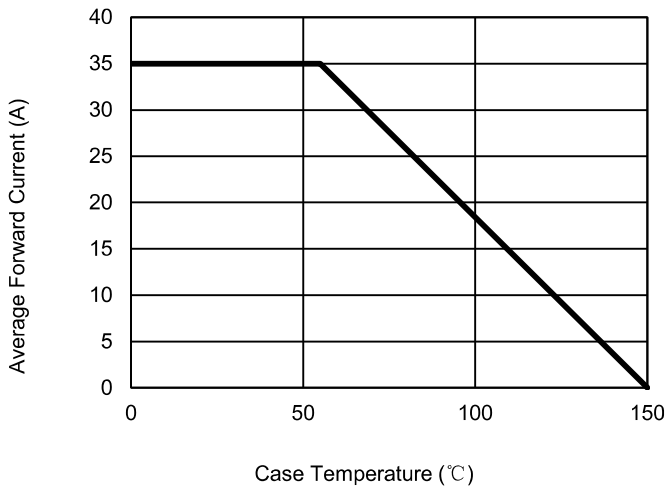


Fig. 2 - Maximum Non-Repetitive Surge Current

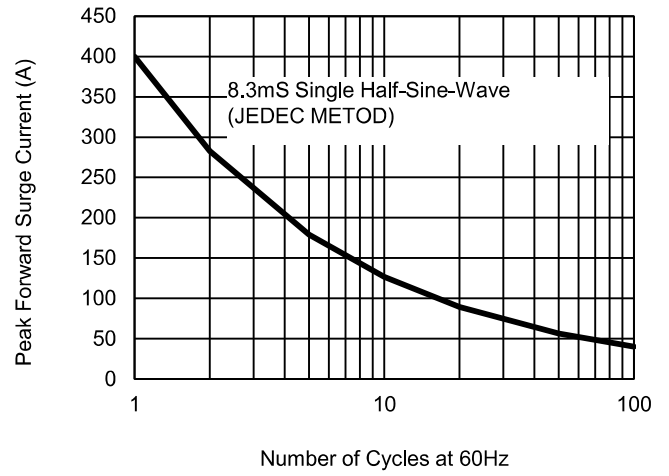


Fig. 3 - Typical Reverse Characteristics

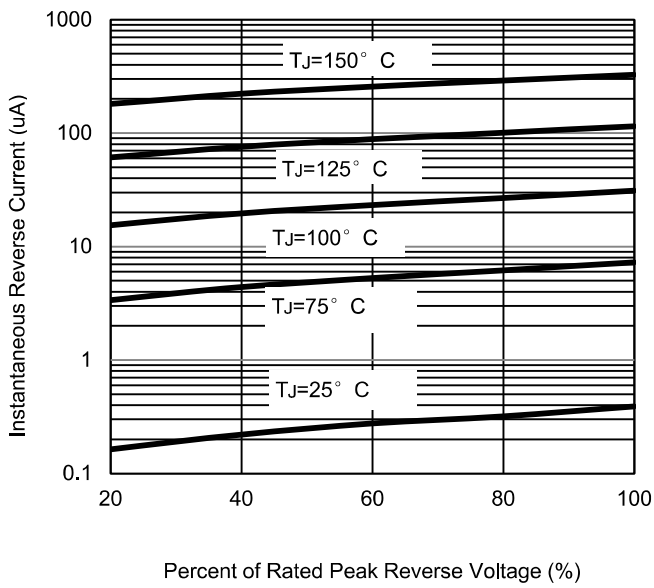
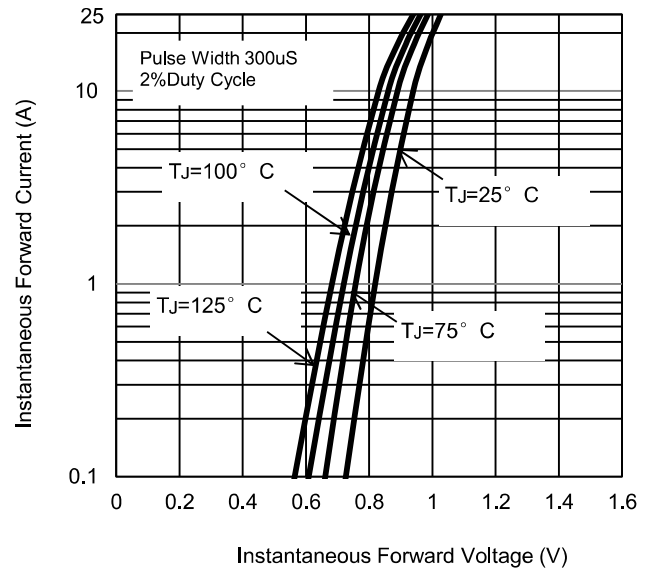
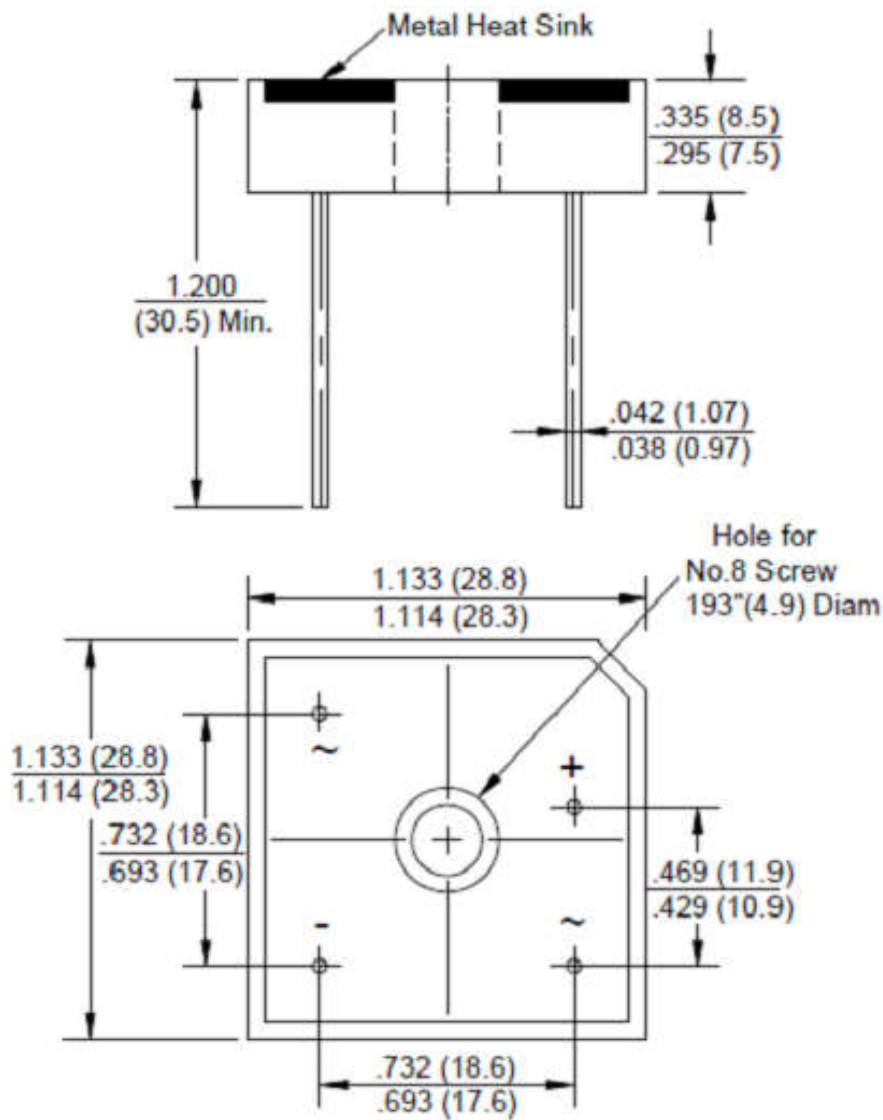


Fig. 4 - Typical Forward Characteristics





Package Outline Dimensions in Inches (Millimeters)

Summary of Packing Options

Package	Packing Description	Packing Quantity	Industry Standard
GBPCW	BOX	50	EIA-481-1