

25A Super Fast Recovery Rectifier Bridge

Reverse Voltage - 300 to 600 V
Forward Current –25A

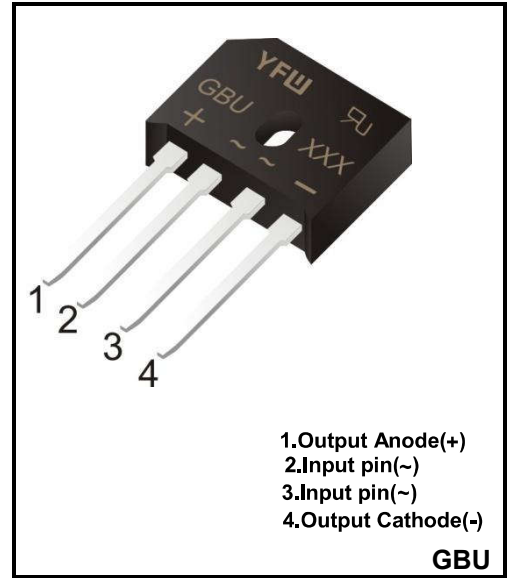


FEATURES

- ◆Surge overload rating-350 amperes peak
- ◆Polarity: As marked on body
- ◆Ideal for printed circuit board
- ◆Plastic material has U/L The flammability classification 94V-0
- ◆Reliable low cost construction utilizing molded plastic technique

MECHANICAL DATA

- ◆Case: GBU
- ◆Terminals: Solderable per MIL-STD-202, Method208
- ◆Approx. Weight: 3.9g /0.138oz



Maximum Ratings and Electrical characteristics

Ratings at 25 °C ambient temperature unless otherwise specified.

Single phase half-wave 60 Hz, resistive or inductive load, for capacitive load current derate by 20 %.

Parameter	Symbols	GBU2503SF	GBU2506SF	Units
Maximum Repetitive Peak Reverse Voltage	V_{RRM}	300	600	V
Maximum RMS voltage	V_{RMS}	200	420	V
Maximum DC Blocking Voltage	V_{DC}	300	600	V
Maximum Average Forward $T_C=100^{\circ}C$ Rectified Current at	$I_{(AV)}$	25		A
Peak Forward Surge Current 8.3 ms Single Half Sine-Wave Superimposed on Rated Load (JEDEC method)	I_{FSM}	300		A
Forward Voltage per element @ $I_F=25A$ DC	V_F	1.20	1.50	V
Maximum DC Reverse Current at Rated DC Blocking Voltage @ $T_a=25^{\circ}C$ @ $T_a=125^{\circ}C$	I_R	10 500		μA
I^2t Rating for Fusing($3ms \leq t \leq 8.3ms$)	I^2t	508		A^2S
Typical Junction Capacitance (Note1)	C_j	70		pF
Maximum Reverse Recovery Time (Note2)	T_{rr}	38	45	nS
Typical Thermal Resistance (Note2)	$R_{\theta JC}$	2.2		$^{\circ}C/W$
Operating and Storage Temperature Range	T_j, T_{stg}	-55 ~ +175		$^{\circ}C$

(1) Measured at 1 MHz and applied reverse voltage of 4 V D.C

(2) Device mounted on 150mm*150mm*16mm cu plate heatsink

Ratings and Characteristic Curves

FIG.1-MAXIMUM FORWARD SURGE CURRENT

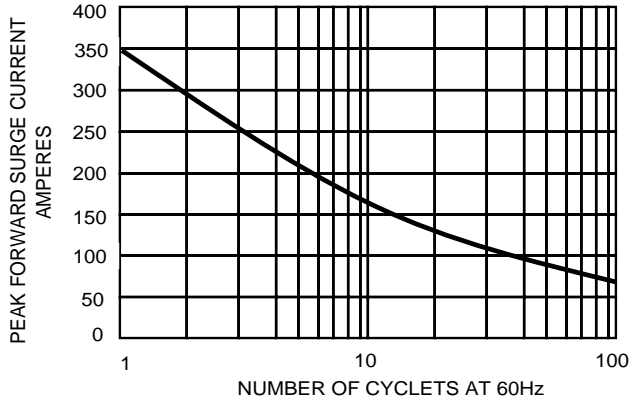


FIG.2- DERATING CURVE
OUTPUT RECTIFIED CURRENT

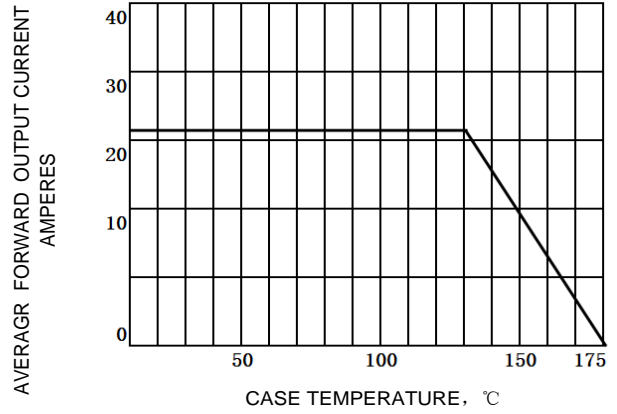


FIG.3-TYPICAL FORWARD CHARACTERISTICS

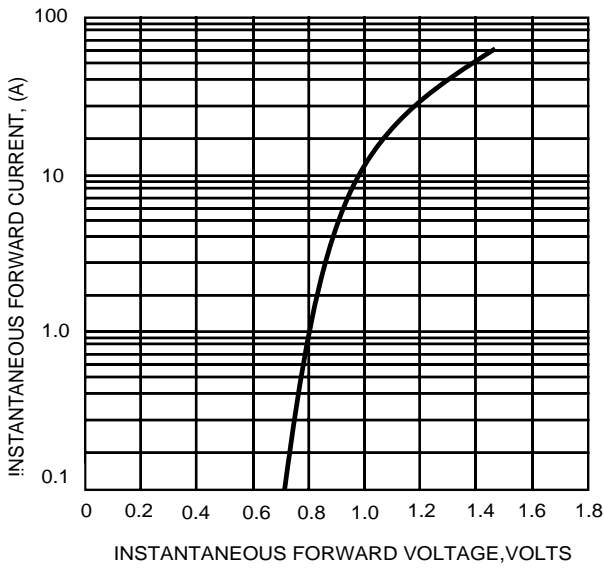
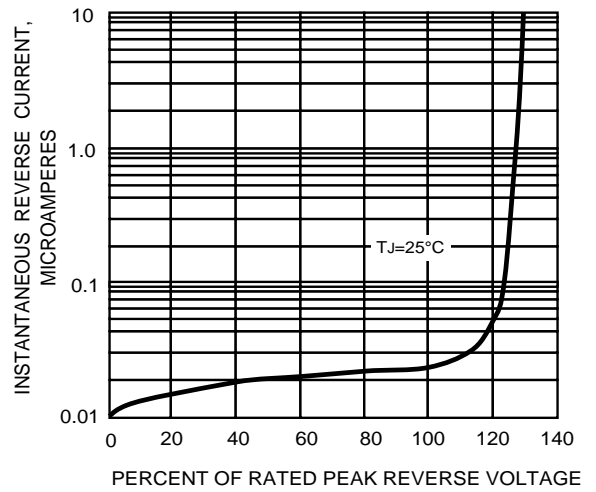
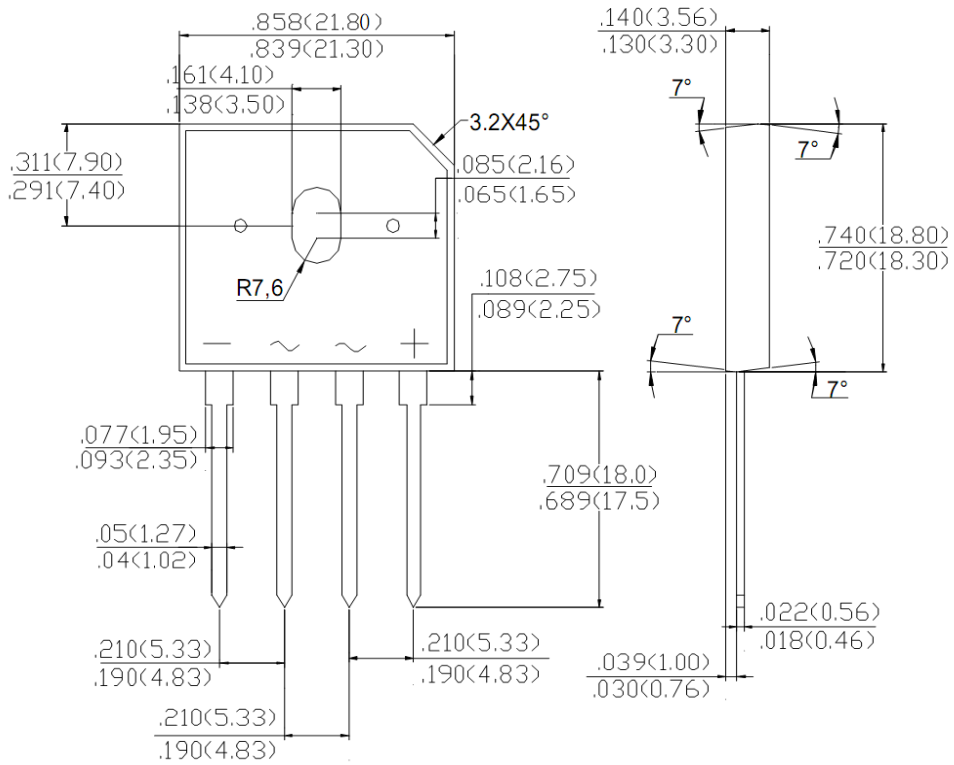


FIG.4-TYPICAL REVERSE CHARACTERISTICS



Package Outline

GBU



Summary of Packing Options

Package	Packing Description	Packing Quantity	Industry Standard
GBU	BOX	500	EIA-481-1