

1.5A SINGLE-PHASE GLASS PASSIVATED BRIDGE RECTIFIER

Voltage - 50 to 1000 V

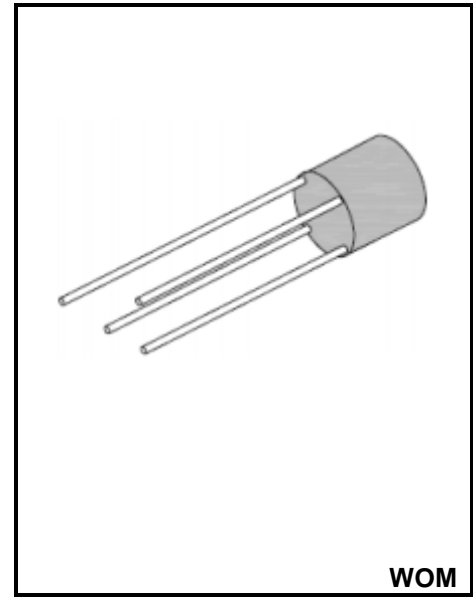
Forward Current – 1.5 A

FEATURES

- ◆ High current capability
- ◆ Low forward voltage drop
- ◆ Glass Passivated Chip Junction
- ◆ High temperature soldering guaranteed:
260°C for 10 seconds
- ◆ Lead free in comply with EU RoHS 2011/65/EU directives

MECHANICAL DATA

- ◆ Case: WOM
- ◆ Terminals: Solderable per MIL-STD-202, Method 208
- ◆ Approx. Weight: 1.3g



Maximum Ratings and Electrical characteristics

Ratings at 25 °C ambient temperature unless otherwise specified.

Parameter	Symbols	RB151	RB152	RB153	RB154	RB155	RB156	RB157	Units
Maximum Repetitive Peak Reverse Voltage	V_{RRM}	50	100	200	400	600	800	1000	V
Maximum RMS voltage	V_{RMS}	35	70	140	280	420	560	700	V
Maximum DC Blocking Voltage	V_{DC}	50	100	200	400	600	800	1000	V
Maximum Average Forward output Rectified Current at TA=25°C	$I_{(AV)}$	1.5							A
Peak Forward Surge Current 8.3 ms Single Half Sine-Wave Superimposed on Rated Load (JEDEC method)	I_{FSM}	50							A
Rating for Fusing(t<8.3ms)	I^2t	10							A ² S
Maximum instantaneous Forward Voltage drop bridge element at 1.0A	V_F	1.0							V
Maximum Reverse Current at TA=25°C at Rated DC Blocking Voltage TA=100°C	I_R	10							µA
		0.5							mA
Typical Junction Capacitance (Note1)	C_j	15							pF
Typical Thermal Resistance (Note2)	$R_{\theta JA}, R_{\theta JL}$	40							°C/W
Operating Temperature Range	T_j	-55 ~ +125							°C
Storage Temperature Range	T_{stg}	-55 ~ +150							°C

(1) Measured at 1 MHz and applied reverse voltage of 4 V D.C

(2) Thermal Resistance Junction to Ambient and from junction to lead at 0.375"(9.5mm) lead length P.C.B. Mounted.

RATINGS AND CHARACTERISTIC CURVES

FIG.1- MAXIMUM NON-REPETITIVE FORWARD SURGE CURRENT PER BRIDGE ELEMENT

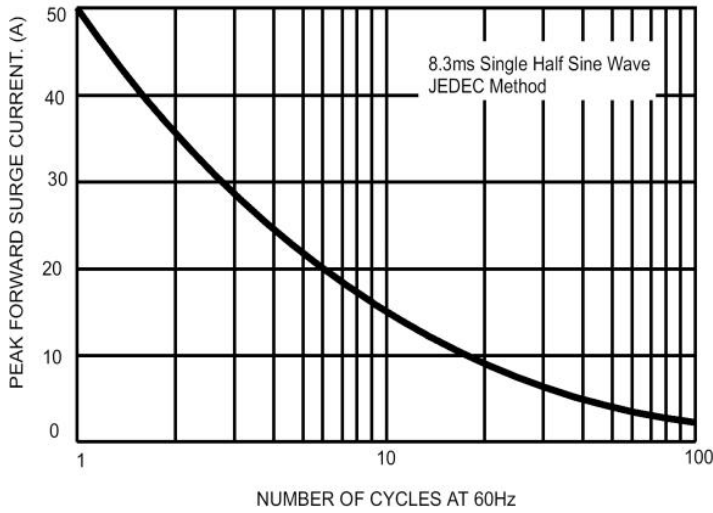


Fig.2 Average Rectified Output Current Derating Curve

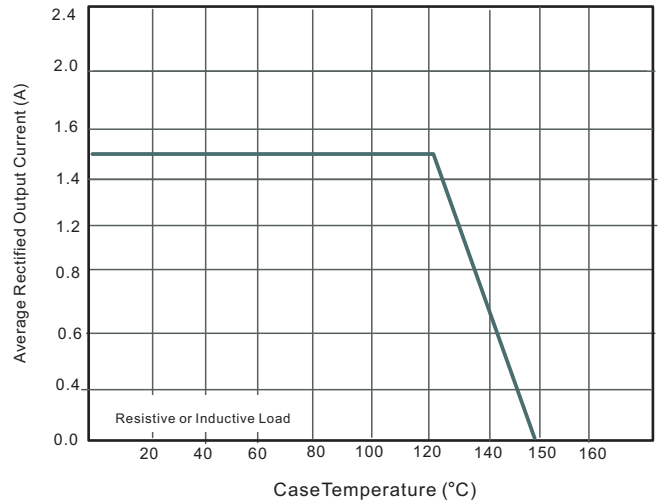


FIG.3- TYPICAL INSTANTANEOUS FORWARD CHARACTERISTICS PER BRIDGE ELEMENT

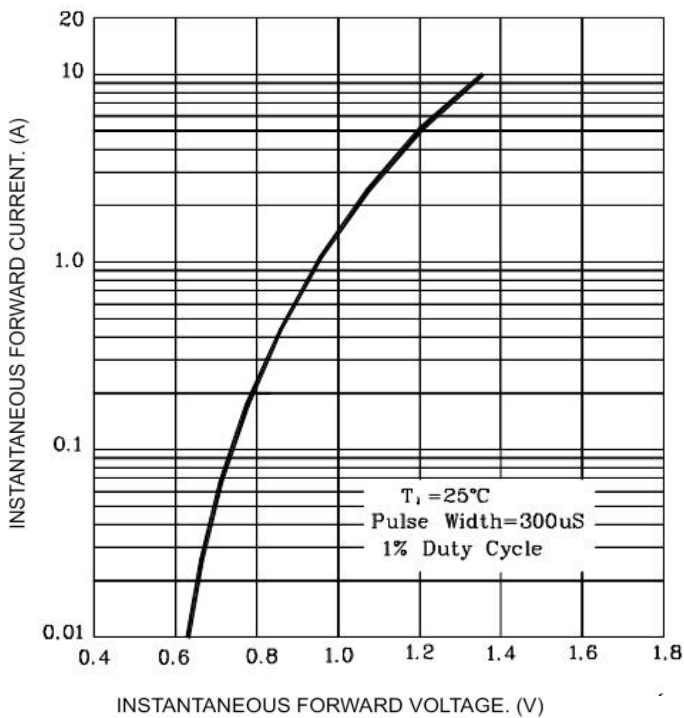
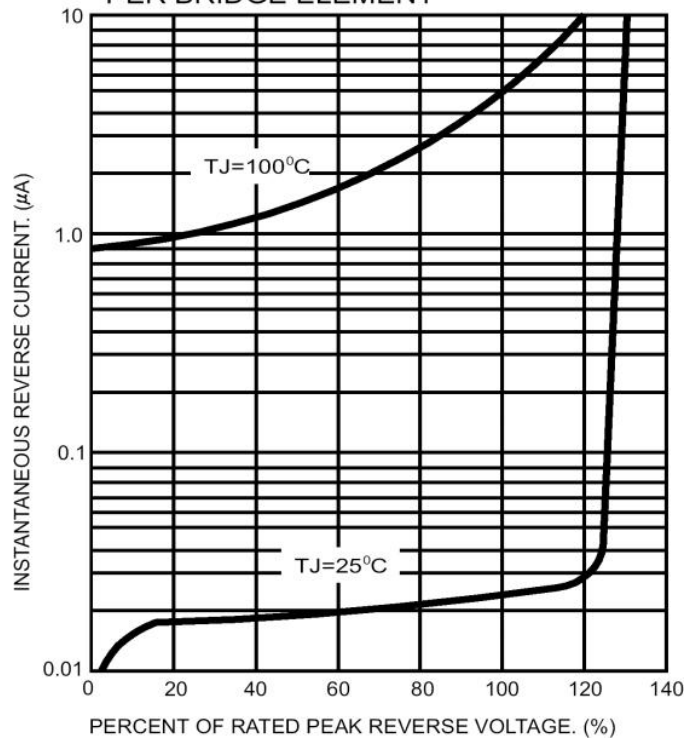
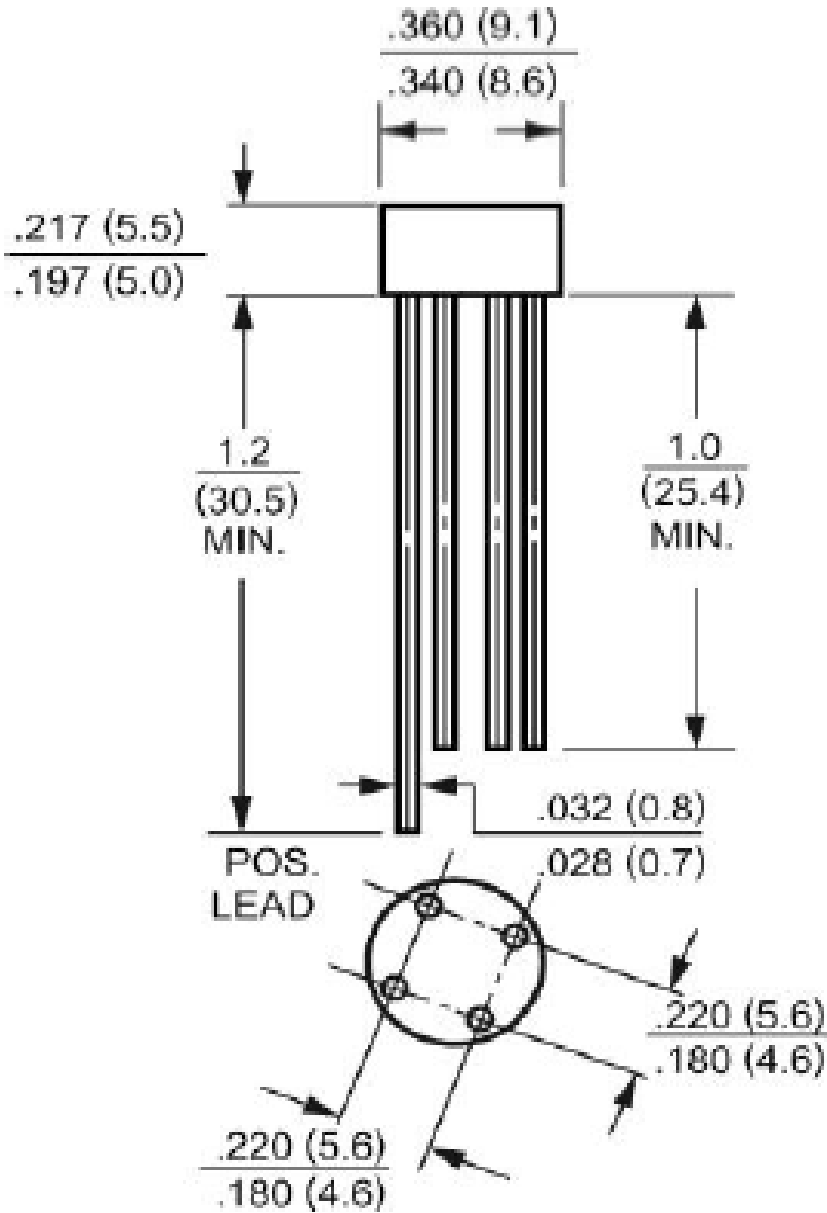


FIG.4- TYPICAL REVERSE CHARACTERISTICS PER BRIDGE ELEMENT





Summary of Packing Options

Package	Package Description	Packing Quantity	Industry Standard
WOM	BOX	1000	EIA-481-1