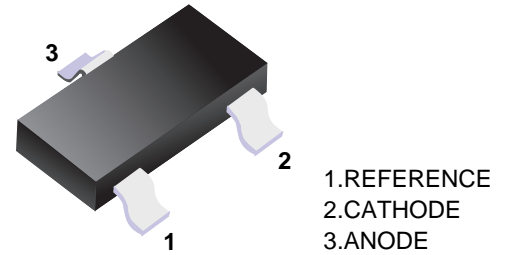


■ Adjustable Accurate Reference Source

■ Features

- Low Voltage Operation : 1.24 V
- Programmable Out Voltage to 15V
- Sink Current Capability of 1 mA to 100 mA
- Equivalent Full-Range Temperature Coefficient of 50ppm/°C
- Temperature Compensated for Operation over Full Rated Operating Temperature Range
- Trimmed Bandgap to 5%



■ Simplified outline(SOT-23)

■ Marking

Marking	432
---------	-----

■ Absolute Maximum Ratings Ta = 25°C

Parameter	Symbol	Rating	Unit
Cathode Voltage	VKA	15	V
Continuous Cathode Current Range	IKA	100	mA
Reference Input Current Range	IREF	-0.05 to 3	mA
Total Power Dissipation	PD	370	mW
Junction Temperature	TJ	-40 to 150	°C
Operating Temperature	TOPR	0 to 70	°C
Storage Temperature	TSTG	-65 to 150	°C

■ Electrical Characteristics Ta = 25°C

Parameter	Symbol	Testconditons	Min	Typ	Max	Unit
Reference Input Voltage	Vref	VKA=VREF, IKA=10mA	1.216	1.24	1.264	V
Deviation of reference Input Voltage Over Full Temperature Range	$\Delta V_{ref}/\Delta T$	VKA=VREF, IKA=10mA TA=Full Range		10	25	mV
Ratio Of Change in Reference Input Voltage to the change in Cathode Voltage	$\Delta V_{ref}/\Delta V_{KA}$	VKA=1.25V to 14.5V		1.0	2.7	mV/V
Reference input Current	Iref	R1=10KΩ R2=∞		0.5	1	uA
Deviation Of Reference Input Current Over Full Temperature Range	$\Delta I_{ref}/\Delta T$	R1=10KΩ R2=∞ TA=fullTemperature		0.05	0.3	uA
Minimum cathode current for regulation	IKA(min)	VKA= VREF		60	80	uA
Off-state cathode Current	IKA(OFF)	VKA=15V ,VREF=0		0.04	0.5	uA
Dynamic impedance	ZKA	VKA=VREF, IKA=0.1 to 20mA f≤1.0KHz		0.2	0.4	Ω

■ CLASSIFICATION OF Vref

Rank	0.5%	1%	2%
Range	1.2330~1.2460	1.2276~1.2524	1.2160~1.2640

■ Typical Characteristics

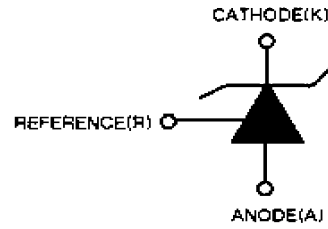
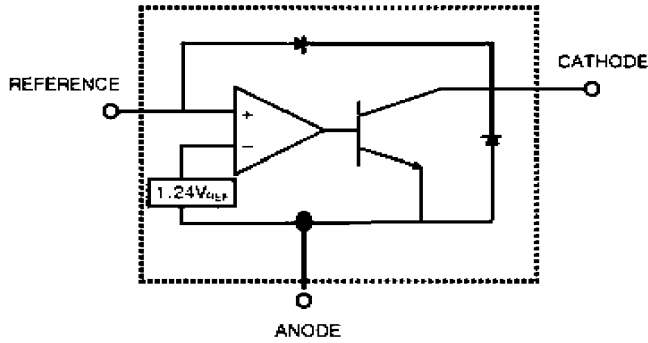


Fig. 1 Test Circuit for $V_{KA} = V_{REF}$

Fig. 2 Test Circuit for $V_{KA} \geq V_{REF}$

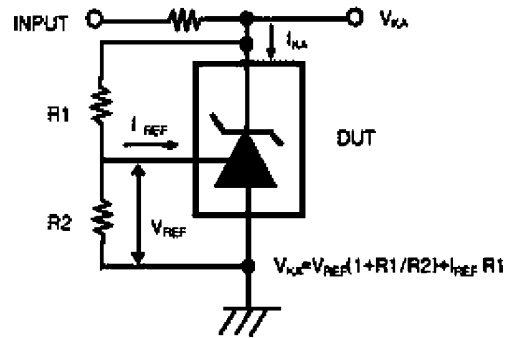
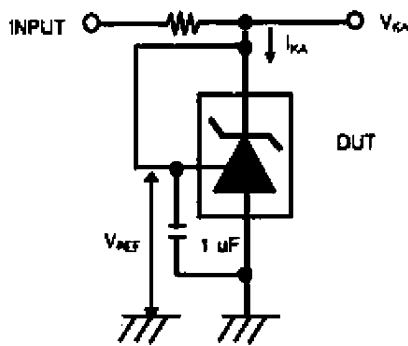
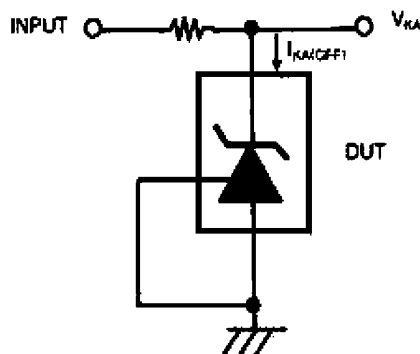
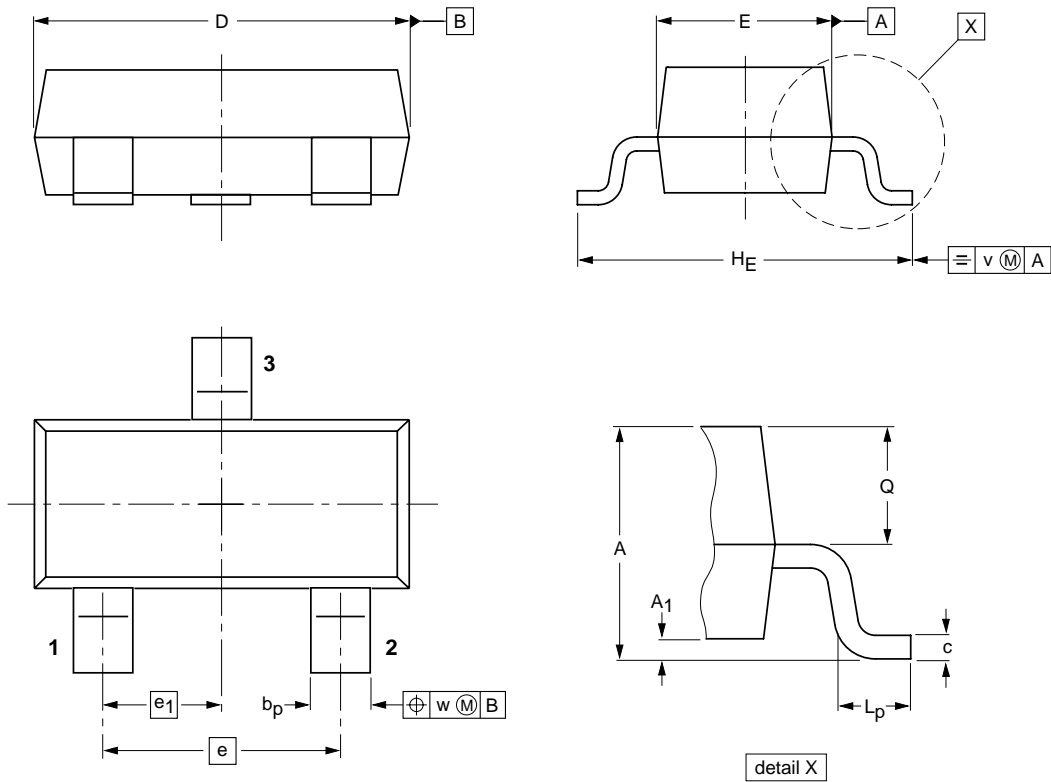


Fig. 3 Test Circuit for I_{KA} (off)





DIMENSIONS (mm are the original dimensions)

UNIT	A	A ₁ max.	b _p	c	D	E	e	e ₁	H _E	L _p	Q	v	w
mm	1.1 0.9	0.1	0.48 0.38	0.15 0.09	3.0 2.8	1.4 1.2	1.9	0.95	2.5 2.1	0.45 0.15	0.55 0.45	0.2	0.1

Summary of Packing Options

Package	Packing Description	Packing Quantity	Industry Standard
SOT-23	Tape/Reel, 7" reel	3000	EIA-481-1