

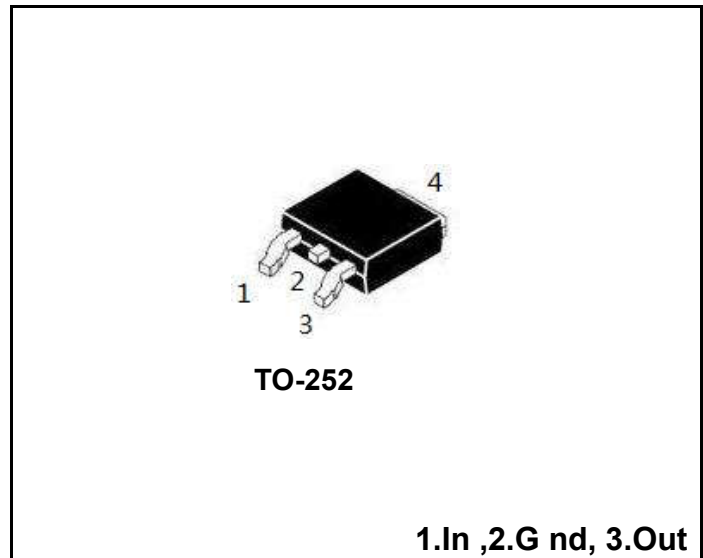
Three-terminal positive voltage regulator
FEATURES

- Maximum output current IOM: 1.0A
- Output voltageVO: 5V
- Continuous total dissipation PD: 1.25 W

ABSOLUTE MAXIMUM RATINGS

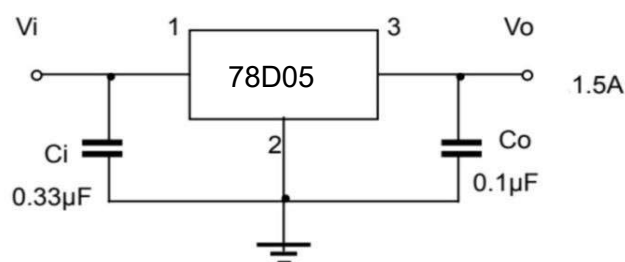
Operating temperature range applies unless otherwise specified

Parameter	Symbol	Value	Unit
Input Voltage	V	35	V
Operating Junction Temperature Range	TOPR	0~+125	°C
Storage Temperature Range	T	-65~+150	°C


ELECTRICAL CHARACTERISTICS AT SPECIFIED VIRTUAL JUNCTION TEMPERATURE

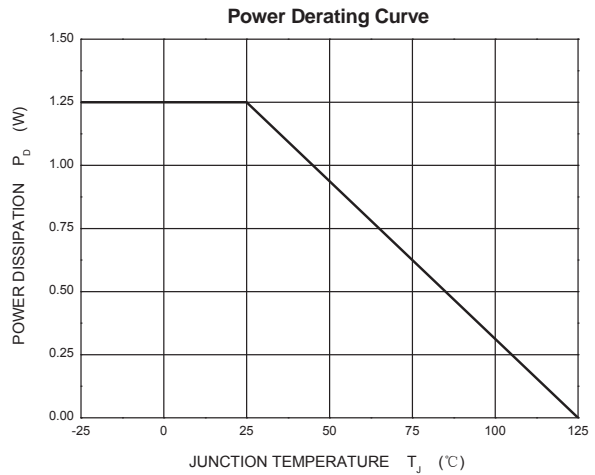
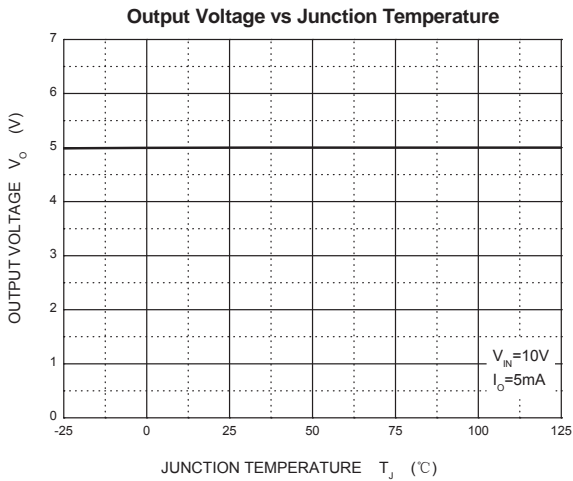
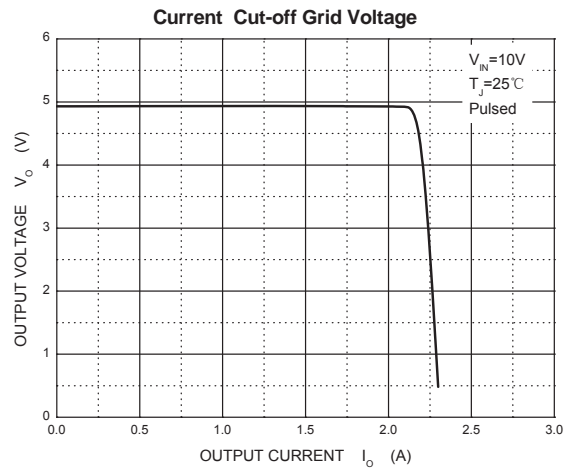
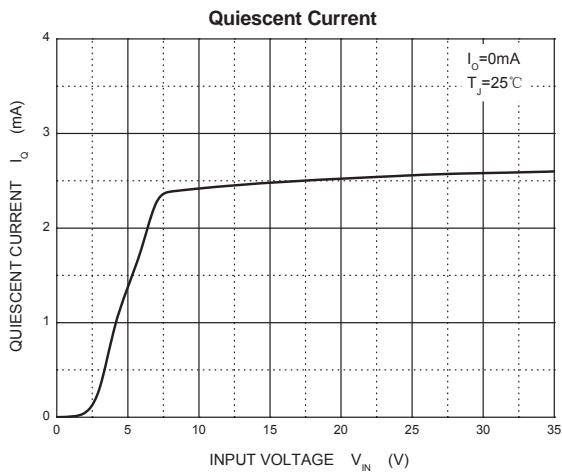
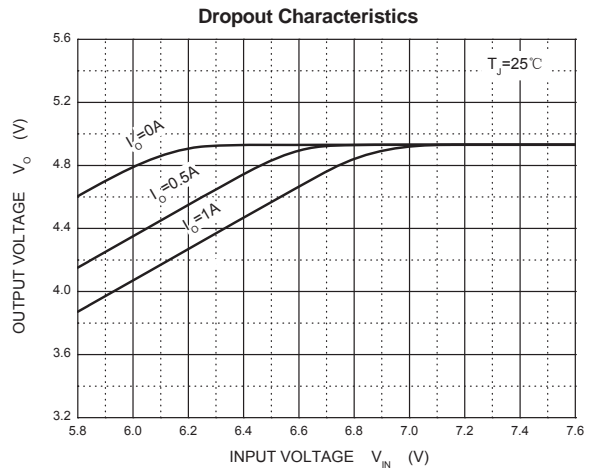
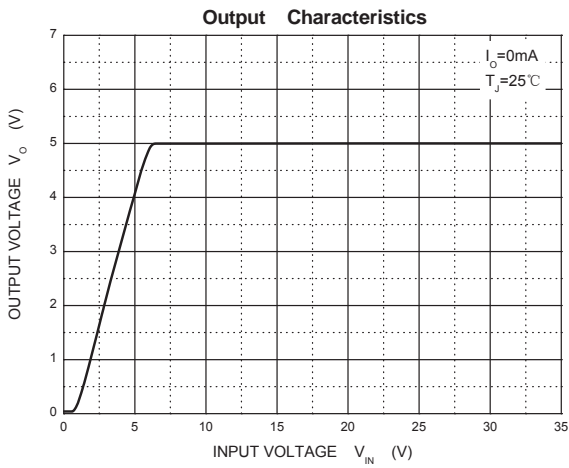
(Vi=10V, Io=350mA, Ci=0.33μF, Co=0.1μF, unless otherwise specified)

Parameter	Symbol	Test conditions		Min	Typ	Max	Unit
Output Voltage	Vo		25°C	4.8	5.0	5.2	V
		8V≤Vi≤20V, Io=5mA-1.0A	-25-125°C	4.75	5.00	5.25	V
Load Regulation	ΔVo	Io=5mA-1.0A	25°C		9	100	mV
		Io=250mA-750mA	25°C		4	50	mV
Line Regulation	ΔVo	7.5V≤Vi≤20V Io=250mA	25°C		4	100	mV
		8V≤Vi≤12V Io=250mA	25°C		2	50	mV
Quiescent Current	Iq		25°C		4.2	8	mA
Quiescent Current Change	ΔIq	7.5V≤Vi≤25V Io=500mA	-25-125°C		0.3	0.8	mA
		5mA≤Io≤1.0A	-25-125°C		0.03	0.5	mA
Output Noise Voltage	VN	10Hz≤f≤100KHz	25°C		42		μV/Vo
Output voltage drift	ΔVo/ΔT	Io=5mA	-25-125°C		-0.3		mV/°C
Ripple Rejection	RR	8V≤Vi≤18V, f=120Hz	-25-125°C	62	73		dB
Dropout Voltage	Vd	Io=1.0A	25°C		2		V
Output resistance	RO	f=1KHz	25°C		10		mA
Short Circuit Current	Isc		25°C		200		mA
Peak Current	Ipk		25°C		2.2		A

TYPICAL CHARACTERISTICS


Note: Bypass capacitors are recommended for optimum stability and transient response and should be located as close as possible to the regulators.

RATINGS AND CHARACTERISTIC CURVES



Package Outline Dimensions millimeters

TO-252

