

**VOLTAGE RANGE: 40 - 200V**

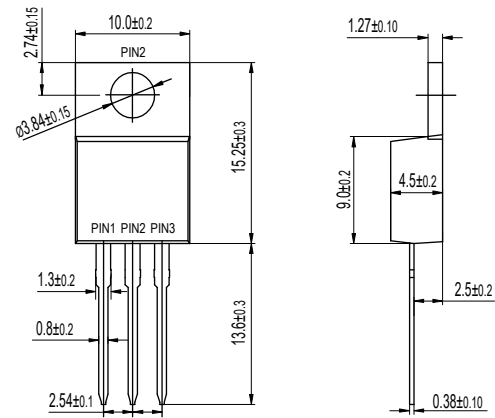
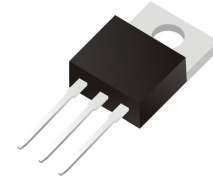
**CURRENT: 16 A**

### Features

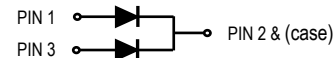
- High efficiency operation
- Low power loss
- Low stored charge majority carrier conduction
- High forward surge capability
- Lead free in compliance with EU RoHS 2011/65/EU directive
- Green molding compound as per IEC61249 Std..(Halogen Free)

### Mechanical Data

- Circuit figure: Common cathode
- Leads: Solderable per mil-std-202, Method 208
- Polarity: as marked
- Mounting torque: 5 in-lbs maximum
- Terminals: Puretin plated
- Weight: TO-220AB 1.85 grams



TO-220AB



### Maximum Ratings and Electrical Characteristics T<sub>A</sub> = 25°C unless otherwise specified

RATINGS	SYMBOL	MBR 1640CT	MBR 1645CT	MBR 1660CT	MBR 16100CT	MBR 16150CT	MBR 16200CT	UNIT
Maximum repetitive reverse voltage	V <sub>RRM</sub>	40	45	60	100	150	200	V
Maximum RMS voltage	V <sub>RMS</sub>	28	32	42	70	105	140	V
Maximum DC blocking voltage	V <sub>DC</sub>	40	45	60	100	150	200	V
Maximum average forward current per device per diode	I <sub>AV</sub>	16				8		A
Peak forward surge current, 8.3ms single half sine-wave superimposed on rated load	I <sub>FSM</sub>	180						A
Typical thermal resistance (Note 1)	R <sub>θ-JC</sub>	2.0						°C/W
Operating junction temperature range	T <sub>J</sub>	-55 to +150				-55 to +175		°C
Storage temperature range	T <sub>STG</sub>	-55 to +175						°C
Maximum forward voltage per leg at I <sub>F</sub> =8A	V <sub>F</sub>	0.65		0.75	0.85	0.92		V
Maximum average reverse current at rated DC blocking voltage T <sub>J</sub> =25°C T <sub>J</sub> =125°C	I <sub>R</sub>	0.10			0.01		5	mA
		15						

Notes: 1. Thermal resistance from junction to case.



FIG. 1 - TYPICAL FORWARD CURRENT DERATING CURVE

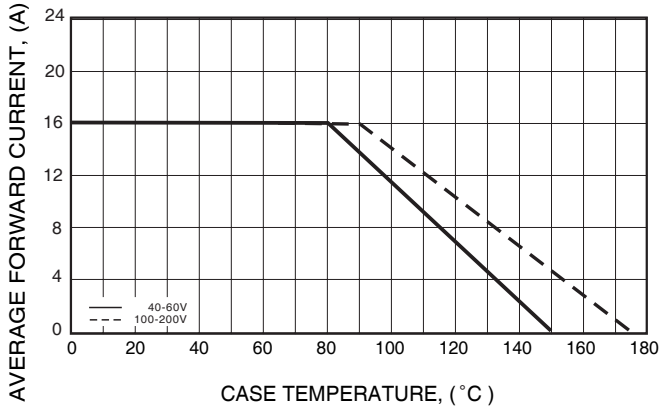


FIG. 2 - MAXIMUM NON-REPETITIVE FORWARD SURGE CURRENT

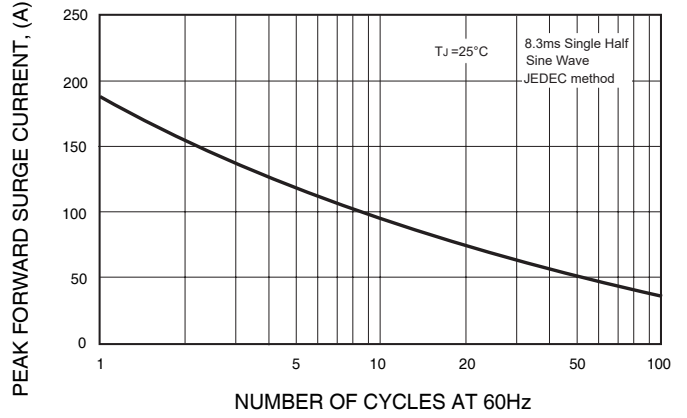


FIG. 3 - TYPICAL REVERSE CHARACTERISTICS

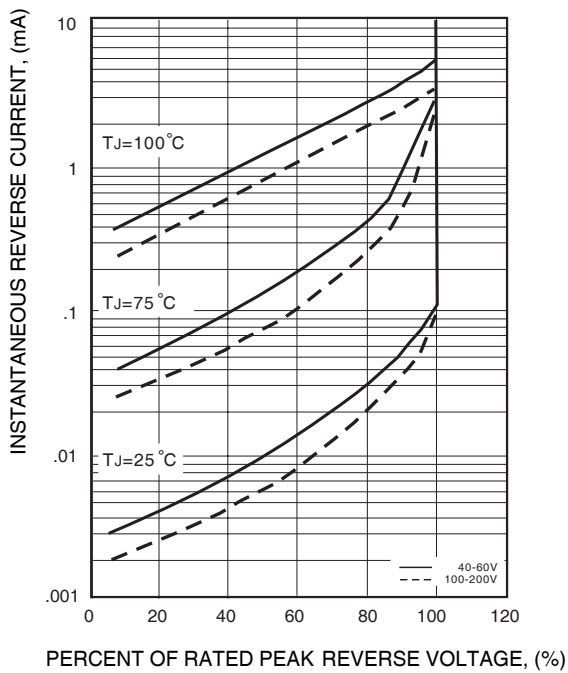


FIG. 4 - TYPICAL INSTANTANEOUS FORWARD CHARACTERISTICS

