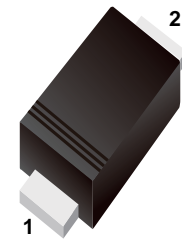


■ SILICON PLANAR ZENER DIODES

■ Features

- Ultra Small mold type.
- High reliability.



1.Cathode
2.Anode

■ Simplified outline(SOD-723)



■ Absolute Maximum Ratings (Ta = 25°C)

Parameter	Symbol	Rating	Unit
Power dissipation	P	100	mW
Jumction temperature	T _j	150	°C
Storage temperature	T _{stg}	-55 to +150	°C
Operating temperature	T _{opr}	-55 to +150	°C

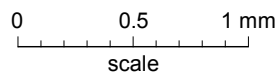
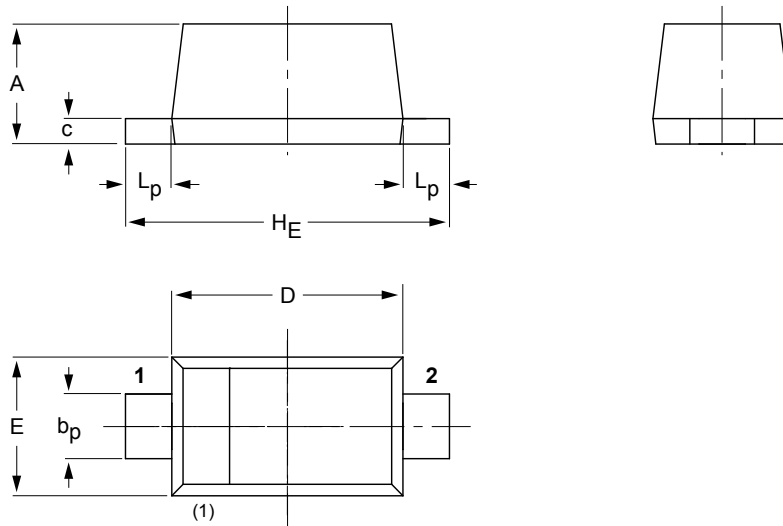
■ Electrical Characteristics (Ta = 25°C)

Type	Marking	Zener voltage V _z (V)			Operating resistance Z _z (Ω)		Rising operating resistance Z _{zk} (Ω)		Reverse current I _R (μA)	
		Min.	Max.	I _z (mA)	Max.	I _z (mA)	Max.	I _z (mA)	Max.	V _R (V)
VDZ3.6B	62	3.600	3.845	5.0	100	5.0	1000	1	10	1.0
VDZ3.9B	72	3.89	4.16	5.0	100	5.0	1000	1	5	1.0
VDZ4.3B	82	4.17	4.43	5.0	100	5.0	1000	1	5	1.0
VDZ4.7B	92	4.55	4.75	5.0	100	5.0	800	0.5	2.0	1.0
VDZ5.1B	A2	4.98	5.20	5.0	80	5.0	500	0.5	2.0	1.5
VDZ5.6B	C2	5.49	5.73	5.0	60	5.0	200	0.5	1.0	2.5
VDZ6.2B	E2	6.06	6.33	5.0	60	5.0	100	0.5	1.0	3.0
VDZ6.8B	F2	6.65	6.93	5.0	40	5.0	60	0.5	0.5	3.5
VDZ7.5B	H2	7.28	7.60	5.0	30	5.0	60	0.5	0.5	4.0
VDZ8.2B	J2	8.02	8.36	5.0	30	5.0	60	0.5	0.5	5.0
VDZ9.1B	L2	8.85	9.23	5.0	30	5.0	60	0.5	0.5	6.0
VDZ10B	05	9.77	10.21	5.0	30	5.0	60	0.5	0.1	7.0

Type	Marking	Zener voltage Vz (V)			Operating resistance Zz (Ω)		Rising operating resistance ZzK (Ω)		Reverse current IR (μA)	
		Min.	Max.	Iz (mA)	Max.	Iz (mA)	Max.	Iz (mA)	Max.	VR (V)
VDZ11B	15	10.76	11.22	5.0	30	5.0	60	0.5	0.1	8.0
VDZ12B	25	11.74	12.24	5.0	30	5.0	80	0.5	0.1	9.0
VDZ13B	35	12.91	13.49	5.0	37	5.0	80	0.5	0.1	10
VDZ15B	45	14.34	14.98	5.0	42	5.0	80	0.5	0.1	11
VDZ16B	55	15.85	16.51	5.0	50	5.0	80	0.5	0.1	12
VDZ18B	65	17.56	18.35	2.0	65	2.0	80	0.5	0.1	13
VDZ20B	75	19.52	20.39	2.0	85	2.0	100	0.5	0.1	15
VDZ22B	85	21.54	22.47	2.0	100	2.0	100	0.5	0.1	17
VDZ24B	95	23.72	24.78	2.0	120	2.0	120	0.5	0.1	19
VDZ27B	A5	26.19	27.53	2.0	150	2.0	150	0.5	0.1	21
VDZ30B	C5	29.19	30.69	2.0	200	2.0	200	0.5	0.1	23
VDZ33B	E5	32.15	33.79	2.0	250	2.0	250	0.5	0.1	25
VDZ36B	F5	35.07	36.87	2.0	300	2.0	300	0.5	0.1	27

Package Outline

SOD-723



DIMENSIONS (mm are the original dimensions)

UNIT	A	bp	c	D	E	HE	Lp
mm	0.55	0.32	0.15	1.05	0.65	1.45	0.27
	0.49	0.25	0.08	0.95	0.55	1.35	0.13

Summary of Packing Options

Package	Package Description	Packing Quantity	Industry Standard
SOD-723	Tape/Reel, 7" reel	8000	EIA-481-1