

VOLTAGE RANGE: 200 - 600V

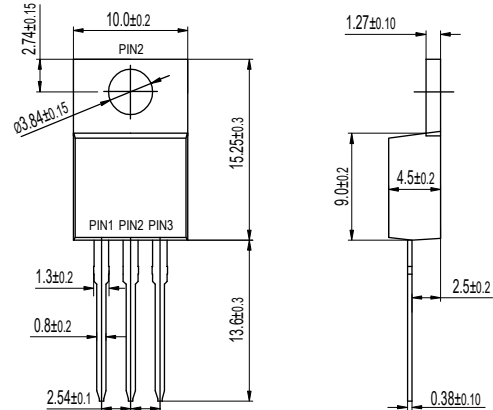
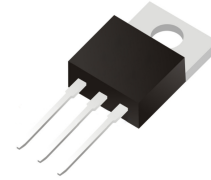
CURRENT: 30A

Features

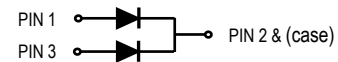
- Glass passivated chip junctions
- Super fast recovery time for switching mode application
- High Forward Surge Capability
- Low Reverse Current
- Lead free in compliance with EU RoHS 2011/65/EU directive

Mechanical Data

- Leads: Solderable per mil-std-202, Method 208
- Polarity: as marked
- Mounting torque: 5 in-lbs maximum
- Terminals: Puretin plated
- Weight: TO-220AB 1.85 grams



TO-220AB



Maximum Ratings And Electrical Characteristics $T_A = 25^\circ\text{C}$

RATINGS	SYMBOL	SFF3002CT	SFF3004CT	SFF3006CT	UNIT
Maximum repetitive reverse voltage	VRRM	200	400	600	V
Maximum RMS voltage	VRMS	140	280	420	V
Maximum DC blocking voltage	VDC	200	400	600	V
Maximum average forward current	I _{AV}	30			A
Peak forward surge current, 8.3ms single half sine-wave superimposed on rated load	I _{FSM}	350			A
Typical thermal resistance per diode (Note 1)	R _{θ-JC}	4.5			°C/W
Operating junction temperature range	T _J	-55 to +150			°C
Storage temperature range	T _{STG}	-55 to +150			°C
Typical forward voltage per leg at 15A	V _F	1.00	1.30	1.70	V
Maximum average reverse current at rated DC blocking voltage	I _R	5 250			μA
Typical reverse recovery time (Note 2)	T _{RR}	35			nS

Notes: 1. Thermal resistance from junction to case.
2. Test conditions: I_F=0.5A, I_R=1.0A, I_{RR}=0.25A.

FIG. 1 - TYPICAL FORWARD CURRENT DERATING CURVE

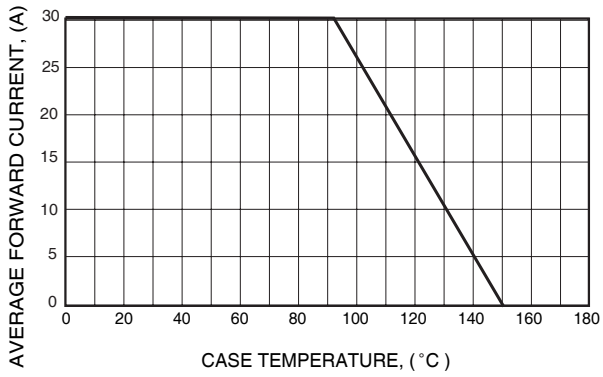


FIG. 2 - MAXIMUM NON-REPETITIVE FORWARD SURGE CURRENT

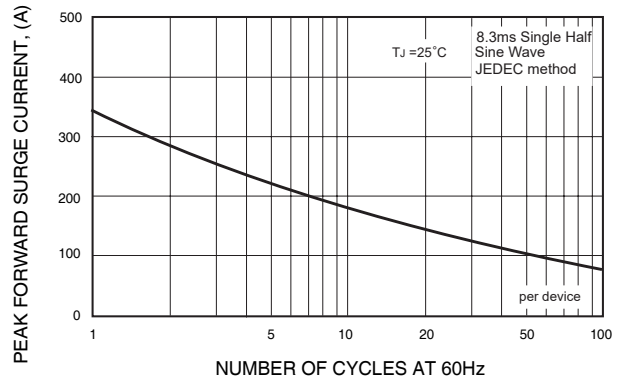


FIG. 3 - TYPICAL REVERSE CHARACTERISTICS

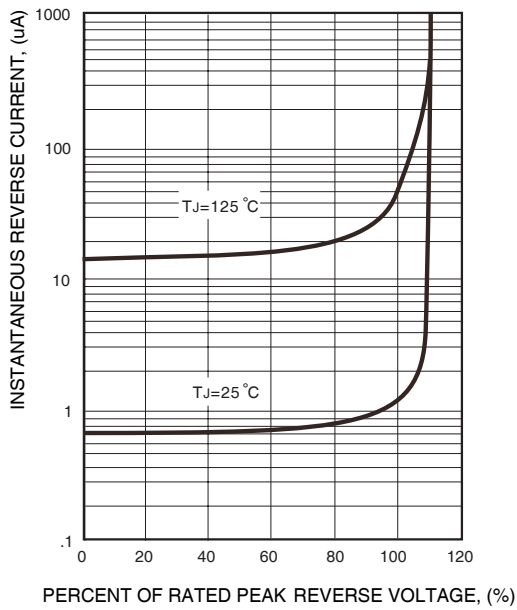


FIG. 4 - TYPICAL INSTANTANEOUS FORWARD CHARACTERISTICS

