

Description

The TD355 series combine an AlGaAs infrared emitting diode as the emitter which is optically coupled to a silicon planar darlington phototransistor detector in a plastic SOP4 package.

With the robust coplanar double mold structure, TD355 series provide the most stable isolation feature.

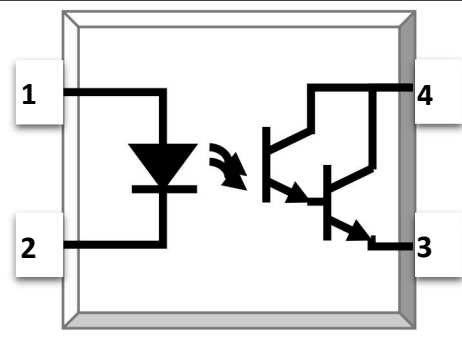
Features

- High isolation 3750 VRMS
- CTR flexibility available see order information
- DC input with transistor output
- Operating temperature range - 55 °C to 110 °C
- REACH compliance
- Halogen free
- MSL class 1
- Regulatory Approvals
 - UL - UL1577
 - VDE - EN60747-5-5(VDE0884-5)
 - CQC - GB4943.1, GB8898
 - cUL- CSA Component Acceptance Service Notice No. 5A

Applications

- Sequence controller
- Telephone/FAX
- System appliances, measuring instrument
- Programmable logic controller

SCHEMATIC



PIN DEFINITION

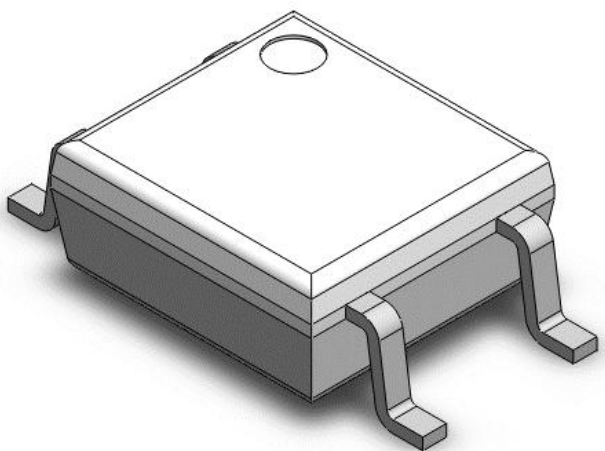
1. Anode

2. Cathode

3. Emitter

4. Collector

PACKAGE OUTLINE





ABSOLUTE MAXIMUM RATINGS				
PARAMETER	SYMBOL	VALUE	UNIT	NOTE
INPUT				
Forward Current	I_F	60	mA	
Peak Forward Current	I_{FP}	1	A	1
Reverse Voltage	V_R	6	V	
Input Power Dissipation	P_I	100	mW	
OUTPUT				
Collector - Emitter Voltage	V_{CEO}	40	V	
Emitter - Collector Voltage	V_{ECO}	6	V	
Collector Current	I_C	80	mA	
Output Power Dissipation	P_O	150	mW	
COMMON				
Total Power Dissipation	P_{tot}	200	mW	
Isolation Voltage	V_{iso}	3750	V _{rms}	2
Operating Temperature	T_{opr}	-55~110	°C	
Storage Temperature	T_{stg}	-55~125	°C	
Soldering Temperature	T_{sol}	260	°C	

Note 1. 100µs pulse, 100Hz frequency

Note 2. AC For 1 Minute, R.H. = 40 ~ 60%



ELECTRICAL OPTICAL CHARACTERISTICS at Ta=25°C							
PARAMETER	SYMBOL	MIN	TYP.	MAX.	UNIT	TEST CONDITION	NOTE
INPUT							
Forward Voltage	V _F	-	1.24	1.4	V	IF=10mA	
Reverse Current	I _R	-	-	10	μA	VR=6V	
Input Capacitance	C _{in}	-	10	-	pF	V=0, f=1kHz	
OUTPUT							
Collector Dark Current	I _{CEO}	-	-	1	uA	VCE=10V, IF=0	
Collector-Emitter Breakdown Voltage	BV _{CEO}	40	-	-	V	IC=0.1mA, IF=0	
Emitter-Collector Breakdown Voltage	BV _{ECO}	6	-	-	V	IE=0.1mA, IF=0	
TRANSFER CHARACTERISTICS							
Current Transfer Ratio	CTR	600	-	7500	%	IF=1mA, VCE=2V	
Collector-Emitter Saturation Voltage	V _{CE(sat)}	-	0.7	1.0	V	IF=20mA, IC=5mA	
Isolation Resistance	R _{ISO}	10 ¹²	10 ¹⁴	-	Ω	DC500V, 40 ~ 60% R.H.	
Floating Capacitance	C _{IO}	-	0.6	1	pF	V=0, f=1MHz	
Response Time (Rise)	t _r	-	95	300	μs	VCE=2V, IC=10mA	3
Response Time (Fall)	t _f	-	95	250	μs	RL=100Ω	3
Cut-off Frequency	f _c	-	1	-	kHz	VCE=2V, IC=10mA RL=100Ω, -3dB	4

Note 3. Fig.12&13

Note 4. Fig.14



CHARACTERISTIC CURVES

Fig.1 Forward Current vs. Ambient Temperature

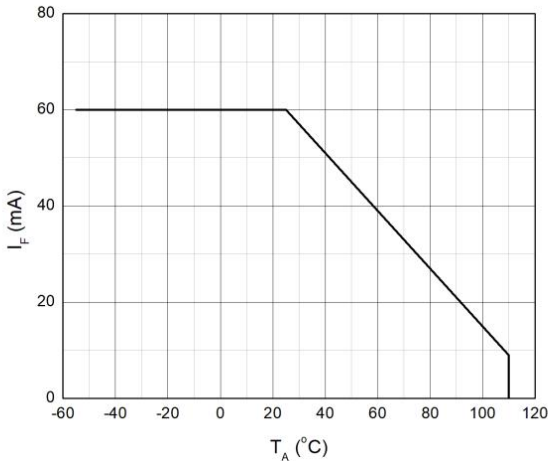


Fig.2 Collector Power Dissipation vs. Ambient Temperature

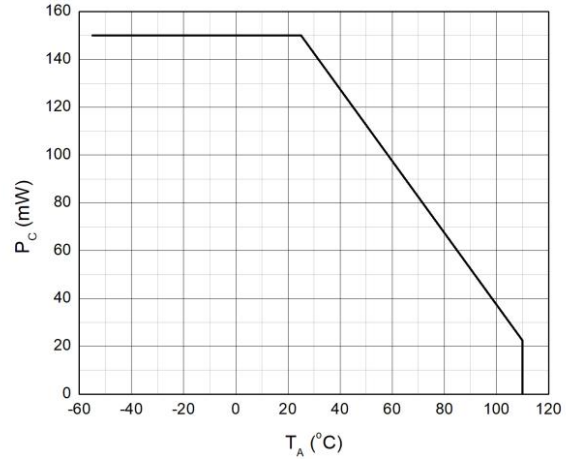


Fig.3 Forward Current vs. Forward Voltage

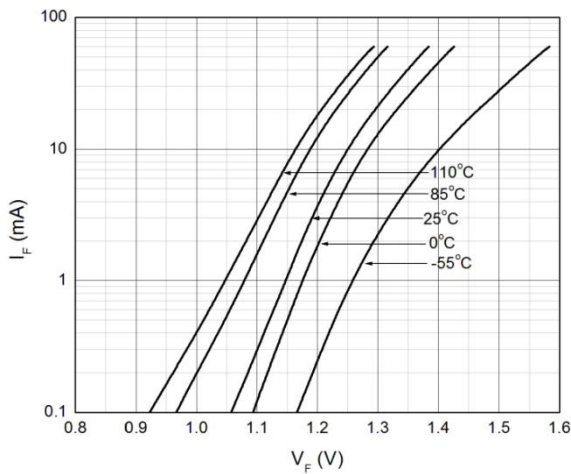


Fig.4 Collector Dark Current vs. Ambient Temperature

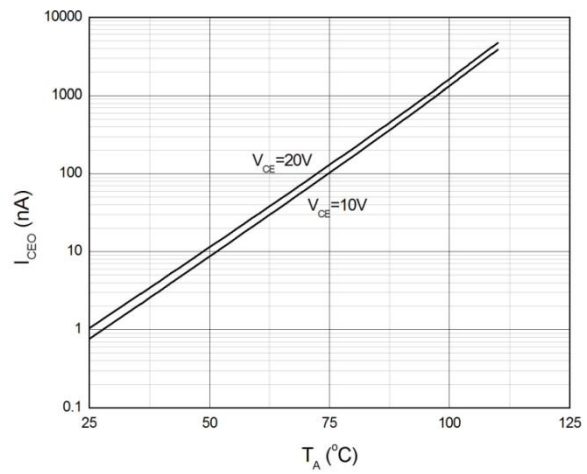
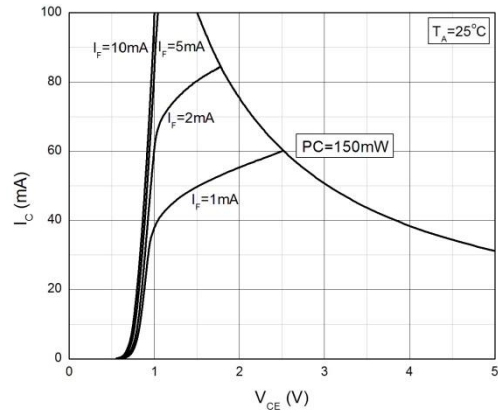
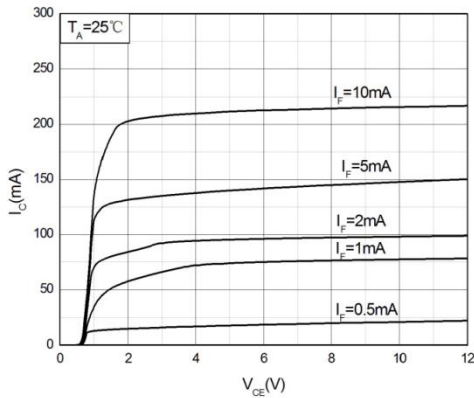


Fig.5 Voltage vs. Forward Current

Fig.6 Collector Current vs. Collector-emitter Voltage



CHARACTERISTIC CURVES

Fig.7 Normalized Current Transfer Ratio vs. Forward Current

Fig.8 Normalized Current Transfer Ratio vs. Ambient Temperature

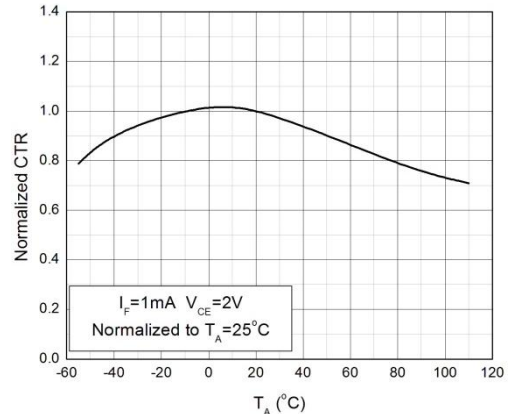
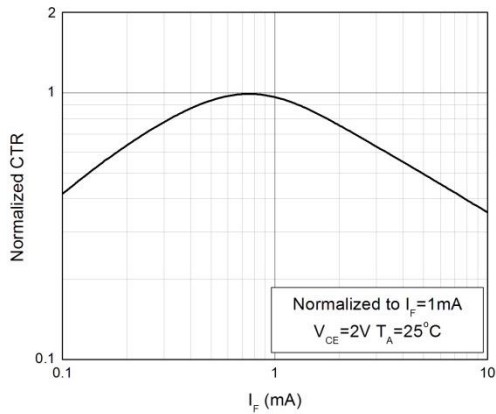


Fig.9 Collector-emitter Saturation Voltage vs. Ambient Temperature

Fig.10 Switching Time vs. Load Resistance

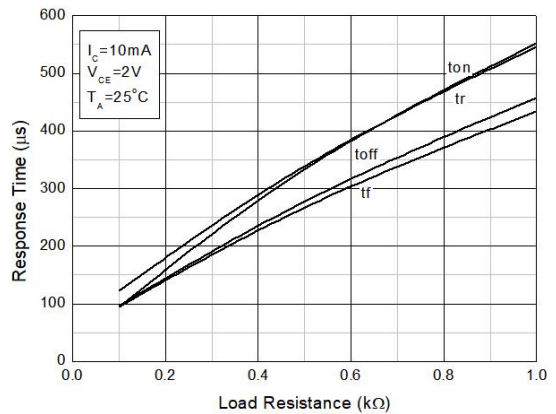
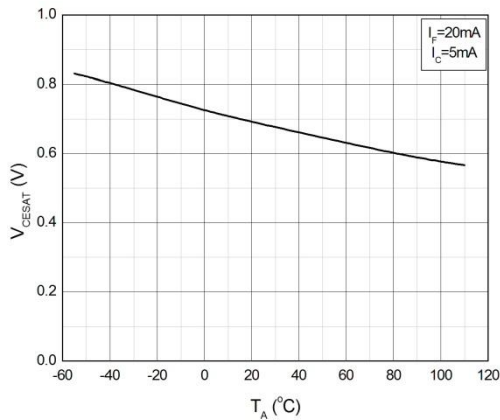
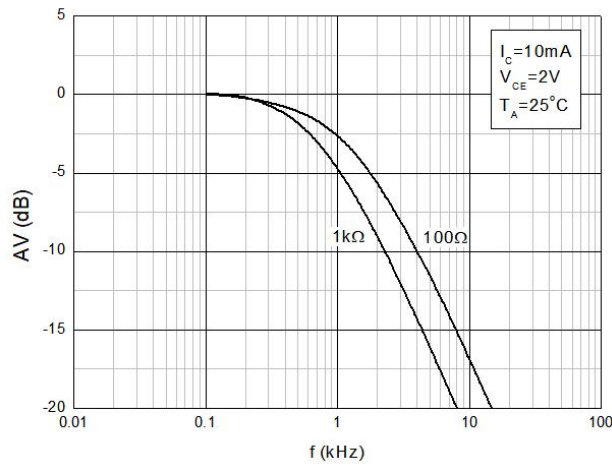


Fig.11 Frequency Response



TEST CIRCUITS

Fig.12 Test Circuits of Response Time

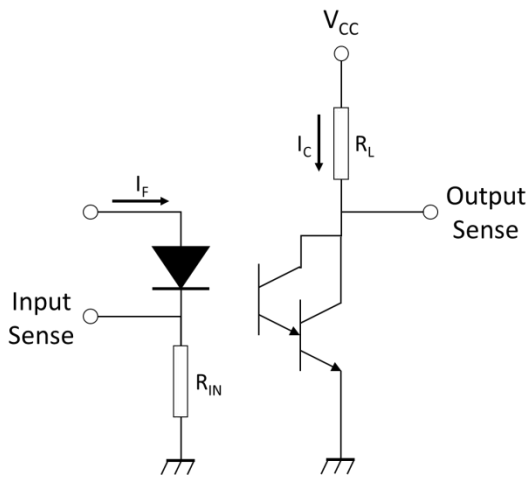


Fig.13 Curves of Response Time

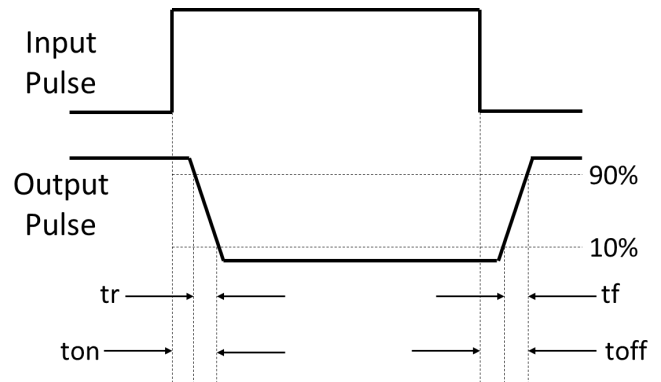
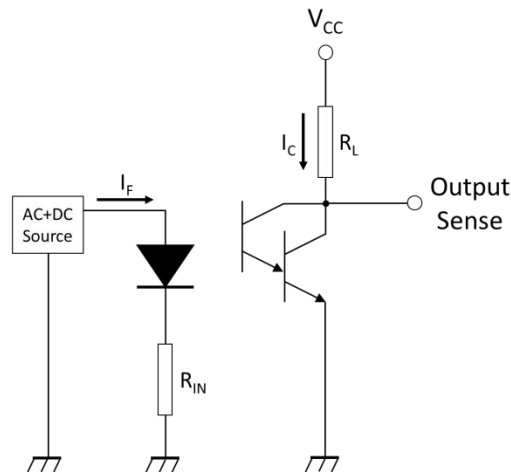


Fig.14 Test Circuits of Frequency Response



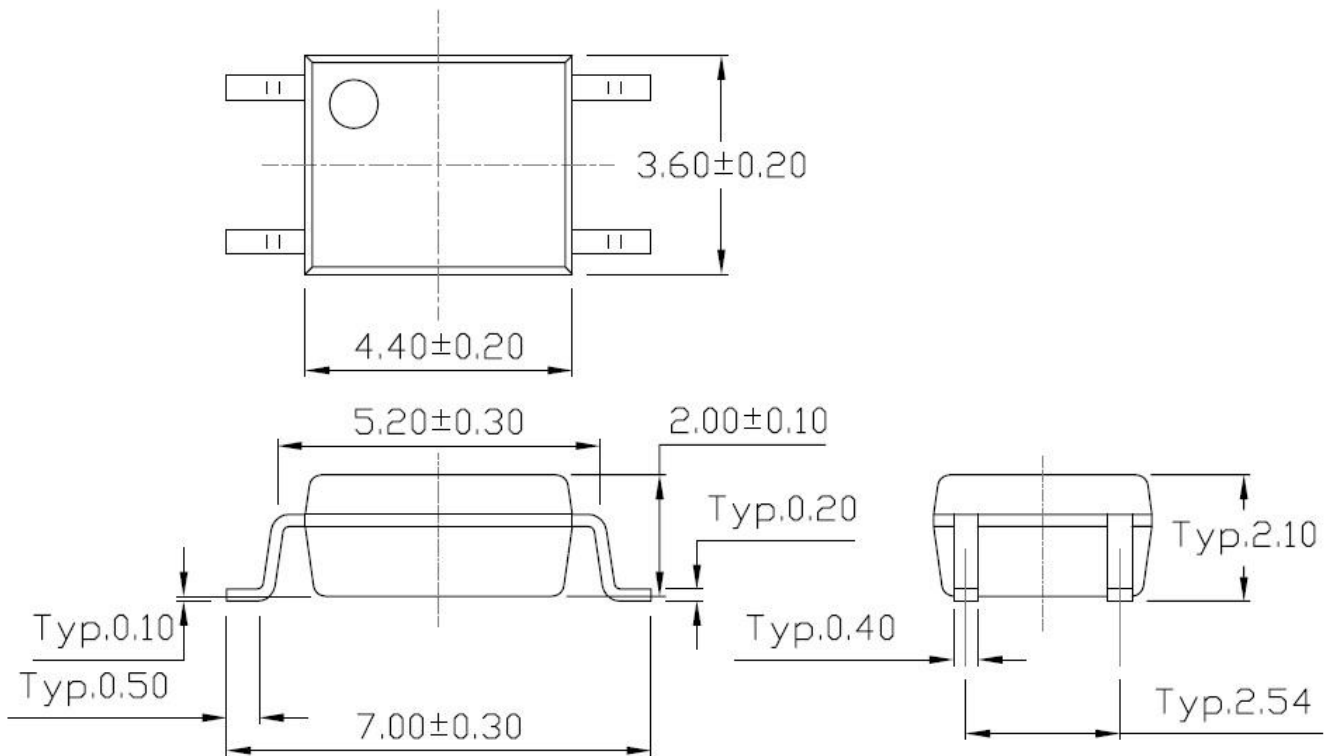


www.tdled.com

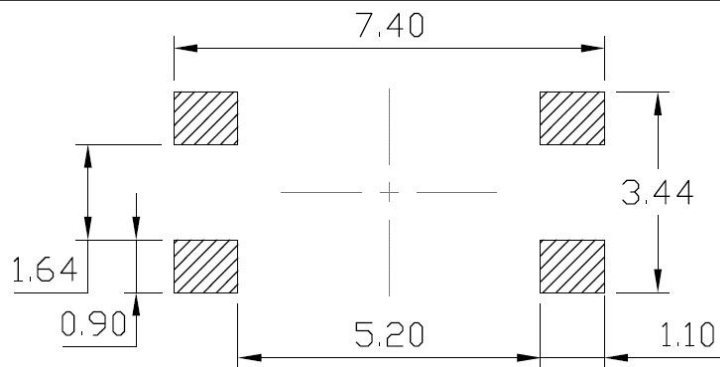
TD355 Series

SOP4, DC Input, Photo Darlington Transistor Coupler

PACKAGE DIMENSIONS (Dimensions in mm unless otherwise stated)

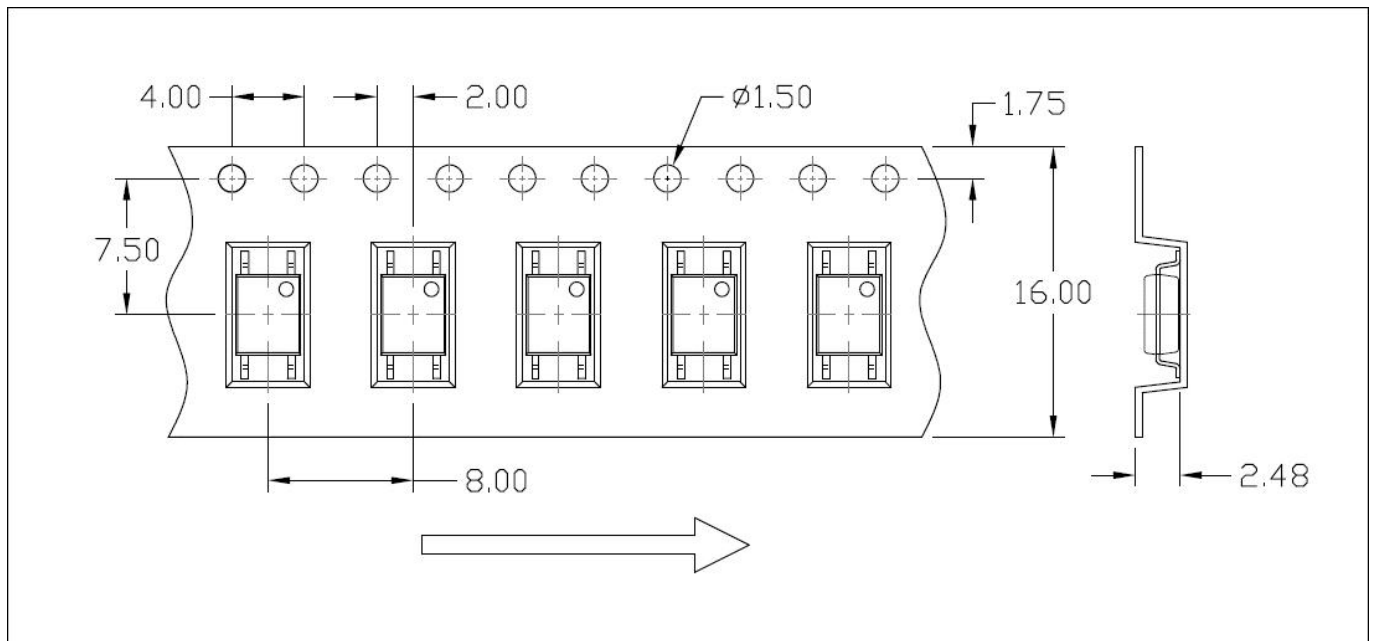


Recommended Solder Mask (Dimensions in mm unless otherwise stated)

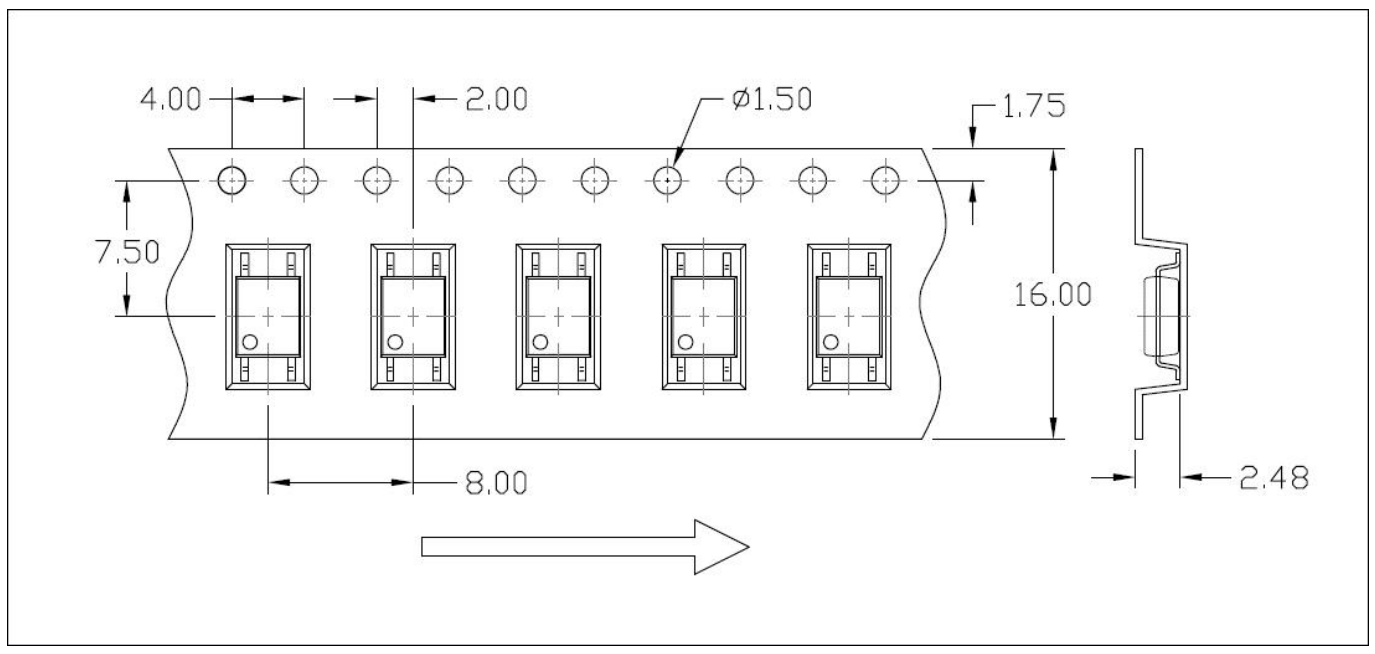


CARRIER TAPE SPECIFICATIONS (Dimensions in mm unless otherwise stated)

Option T1



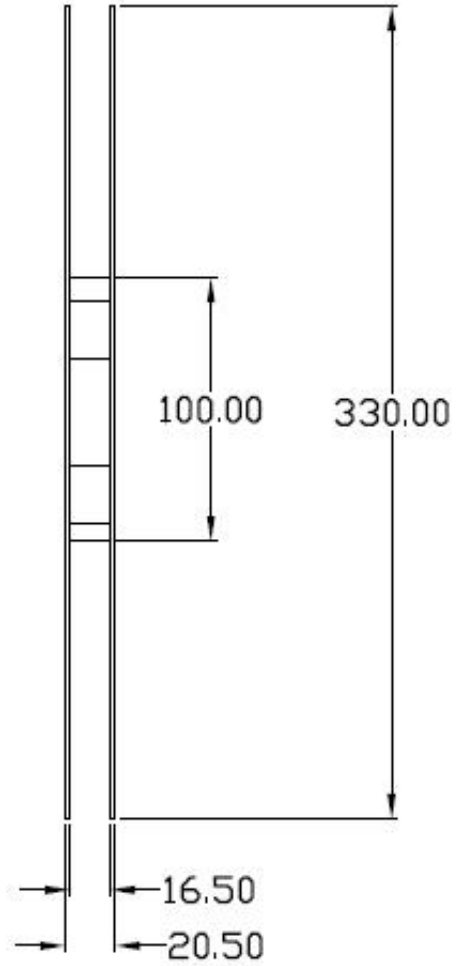
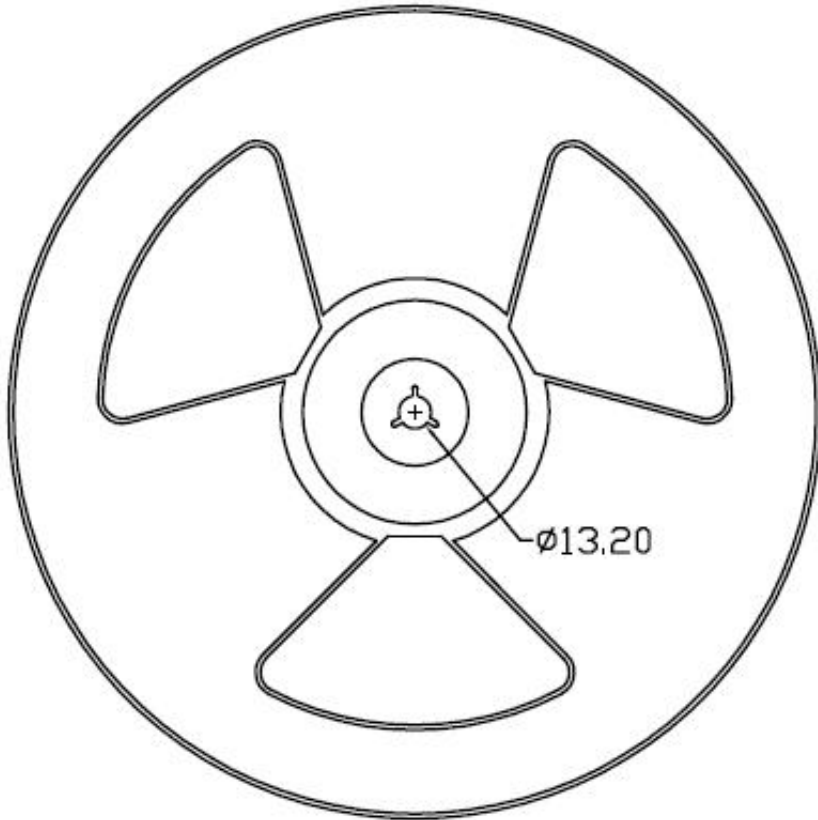
Option T2





REEL SPECIFICATIONS (Dimensions in mm unless otherwise stated)

Option T1 & T2



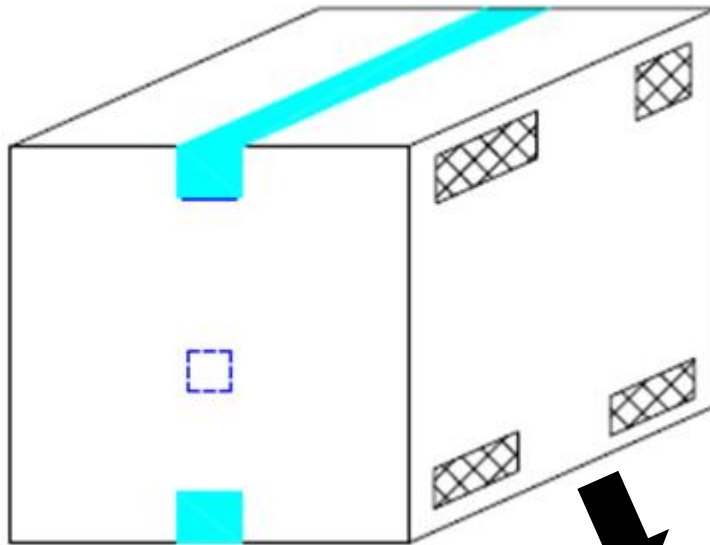
BOX SPECIFICATIONS (Reel Type)

Inner Box

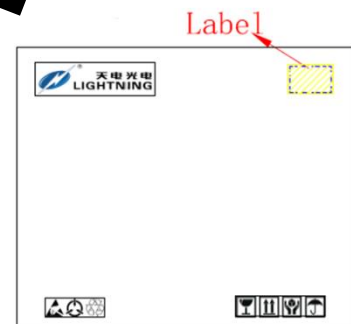


- L x W x H = 36cm x 36cm x 6.9cm

Outer Box



- L x W x H = 45cm x 38cm x 38cm





ORDERING AND MARKING INFORMATION

MARKING INFORMATION



TD : Company Abbr.
 355 : Part Number
 V : VDE Option
 Y : Fiscal Year
 A : Manufacturing Code
 WW : Work Week

ORDERING INFORMATION

TD355(Z)-GV

TD – Company Abbr.
 355 – Part Number
 Z – Tape and Reel Option (T1/T2)
 G – Green
 V – VDE Option (V or None)

LABEL INFORMATION

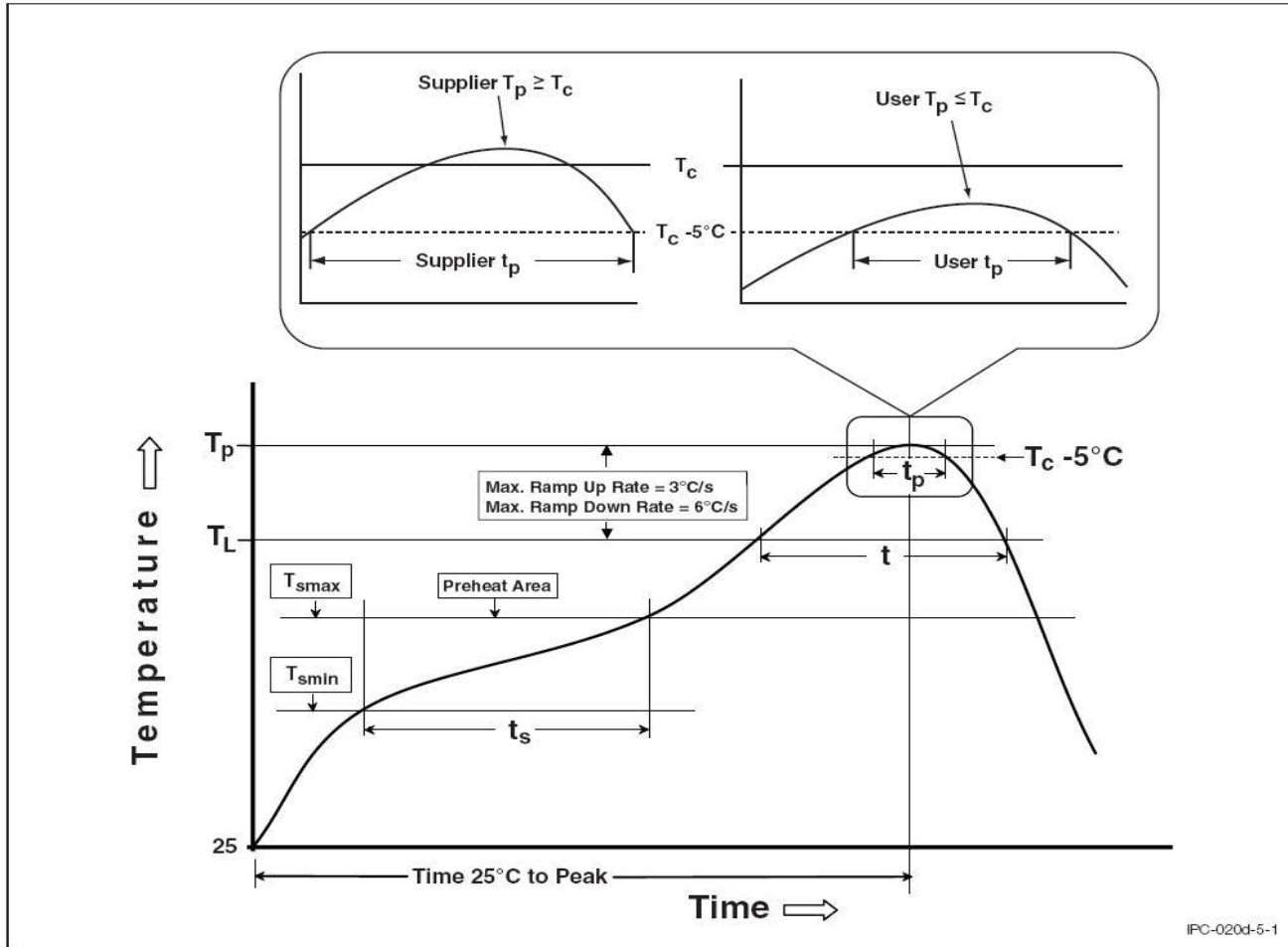


PACKING QUANTITY

Option	Quantity	Quantity – Inner box	Quantity – Outer box
T1	3000 Units/Reel	3 Reels/Inner box	5 Inner box/Outer box = 45k Units
T2	3000 Units/Reel	3 Reels/Inner box	5 Inner box/Outer box = 45k Units

REFLOW INFORMATION

REFLOW PROFILE



Profile Feature	Sn-Pb Assembly Profile	Pb-Free Assembly Profile
Temperature Min. (T_{smin})	100	150°C
Temperature Max. (T_{smax})	150	200°C
Time (t_s) from (T_{smin} to T_{smax})	60-120 seconds	60-120 seconds
Ramp-up Rate (t_L to t_P)	3°C/second max.	3°C/second max.
Liquidous Temperature (T_L)	183°C	217°C
Time (t_L) Maintained Above (T_L)	60 – 150 seconds	60 – 150 seconds
Peak Body Package Temperature	235°C +0°C / -5°C	260°C +0°C / -5°C
Time (t_P) within 5°C of 260°C	20 seconds	30 seconds
Ramp-down Rate (T_P to T_L)	6°C/second max	6°C/second max
Time 25°C to Peak Temperature	6 minutes max.	8 minutes max.



DISCLAIMER

- LIGHTNING is continually improving the quality, reliability, function and design. LIGHTNING reserves the right to make changes without further notices.
- The characteristic curves shown in this datasheet are representing typical performance which are not guaranteed.
- LIGHTNING makes no warranty, representation or guarantee regarding the suitability of the products for any particular purpose or the continuing production of any product. To the maximum extent permitted by applicable law, LIGHTNING disclaims (a) any and all liability arising out of the application or use of any product, (b) any and all liability, including without limitation special, consequential or incidental damages, and (c) any and all implied warranties, including warranties of fitness for particular
- The products shown in this publication are designed for the general use in electronic applications such as office automation, equipment, communications devices, audio/visual equipment, electrical application and instrumentation purpose, non-infringement and merchantability.
- This product is not intended to be used for military, aircraft, automotive, medical, life sustaining or lifesaving applications or any other application which can result in human injury or death.
- Please contact LIGHTNING sales agent for special application request.
- Immerge unit's body in solder paste is not recommended.
- Parameters provided in datasheets may vary in different applications and performance may vary over time. All operating parameters, including typical parameters, must be validated in each customer application by the customer's technical experts. Product specifications do not expand or otherwise modify LIGHTNING's terms and conditions of purchase, including but not limited to the warranty expressed therein.
- Discoloration might be occurred on the package surface after soldering, reflow or long-time use. It neither impacts the performance nor reliability.