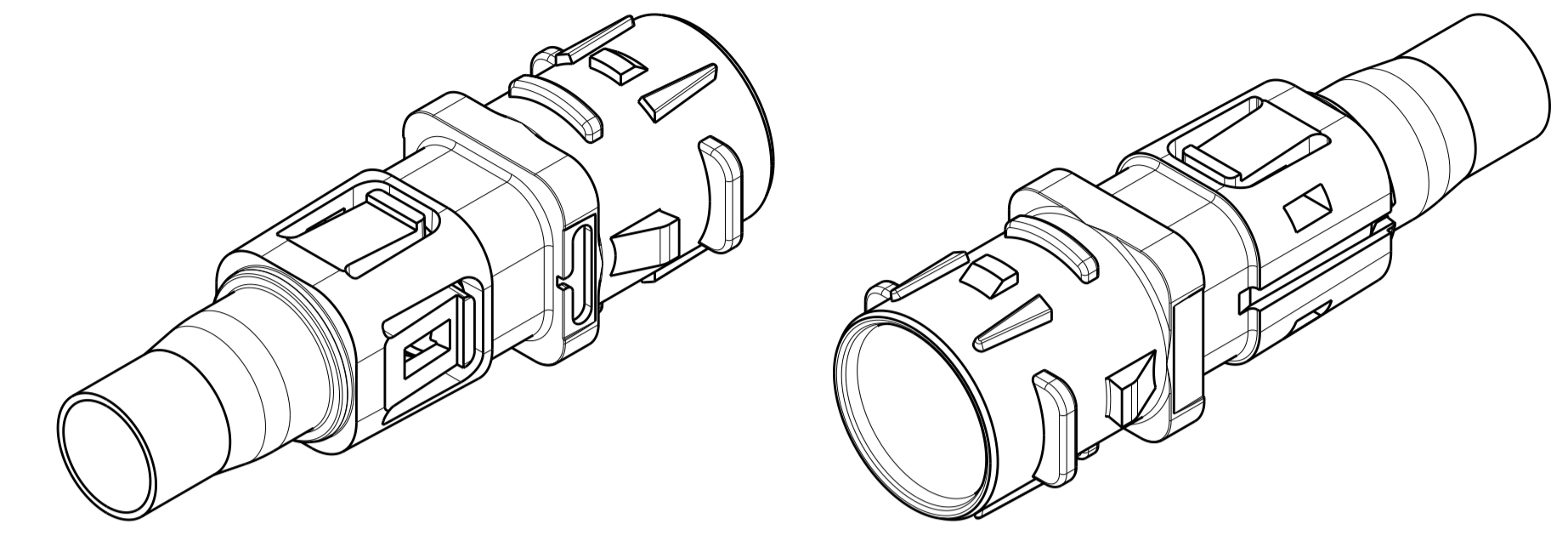
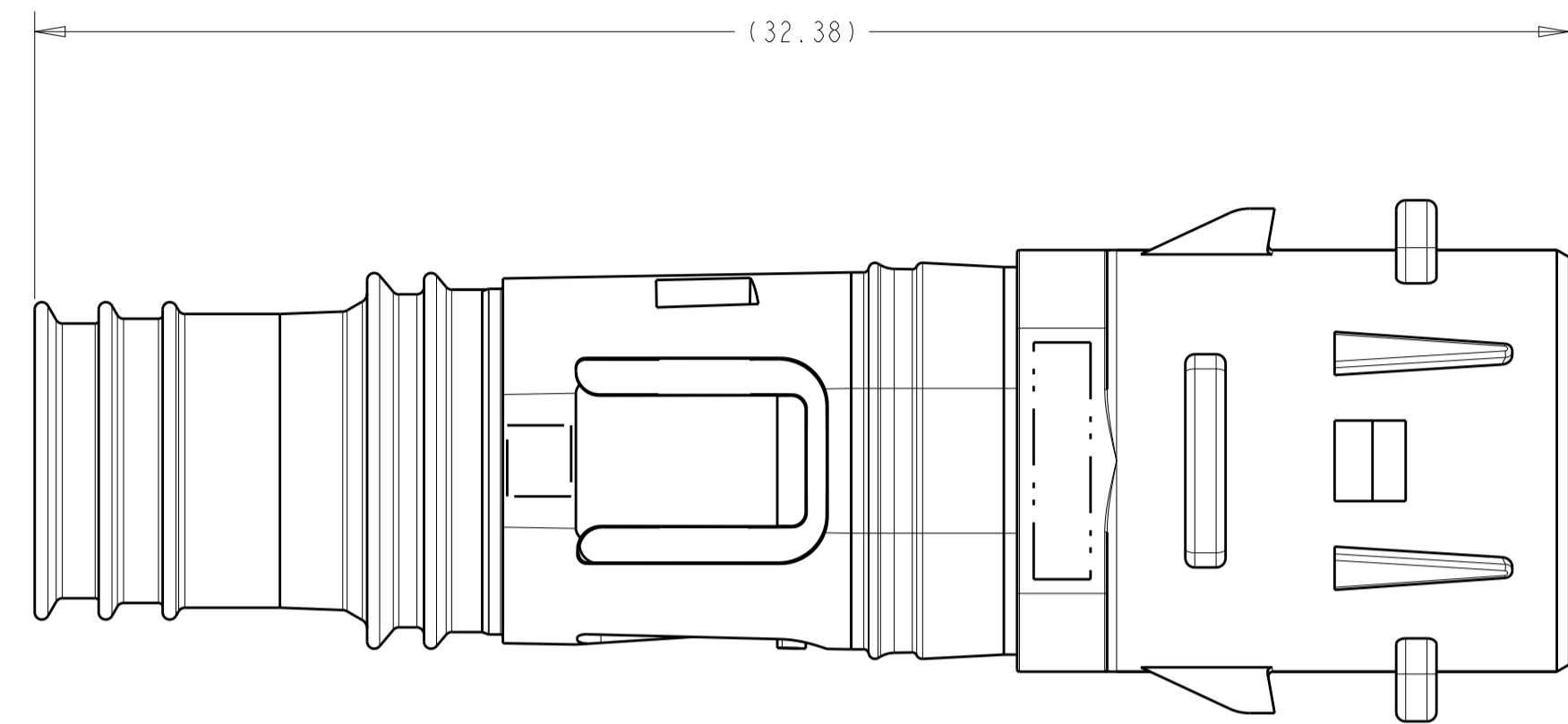
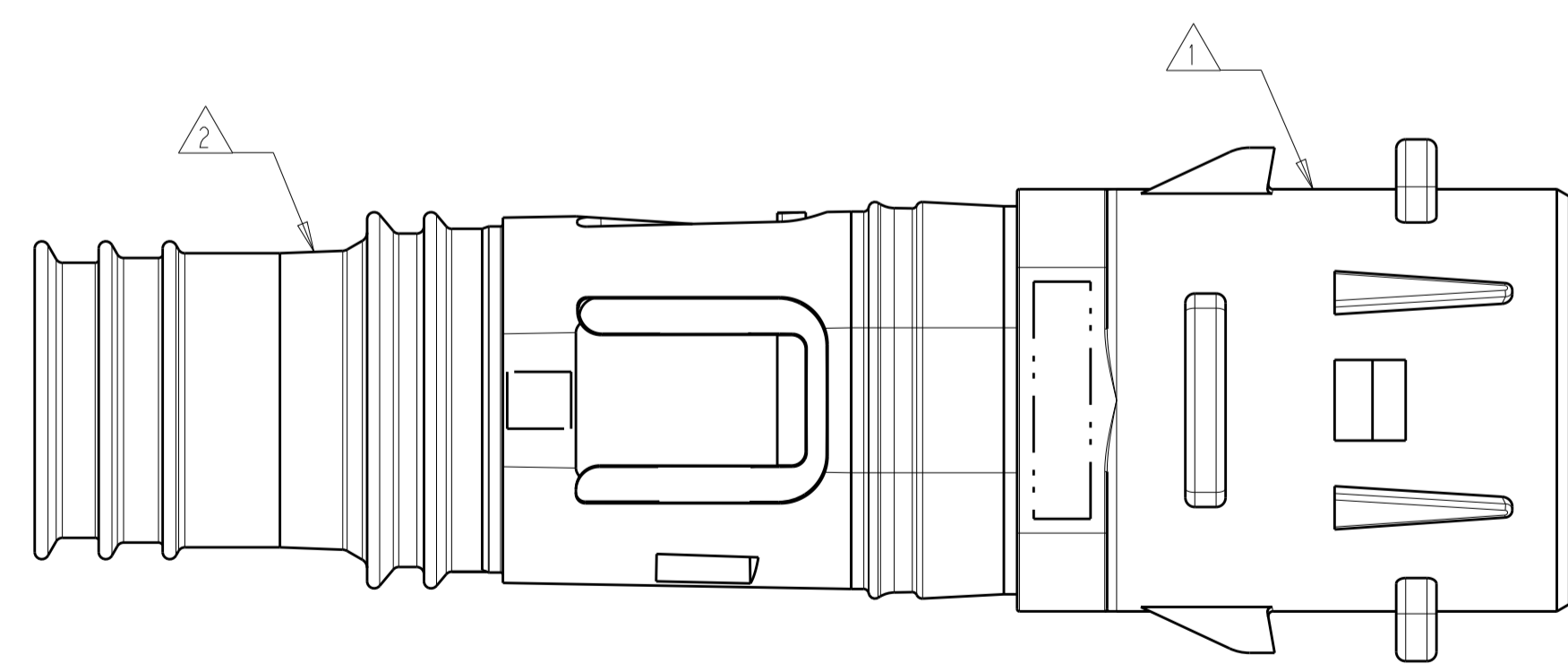
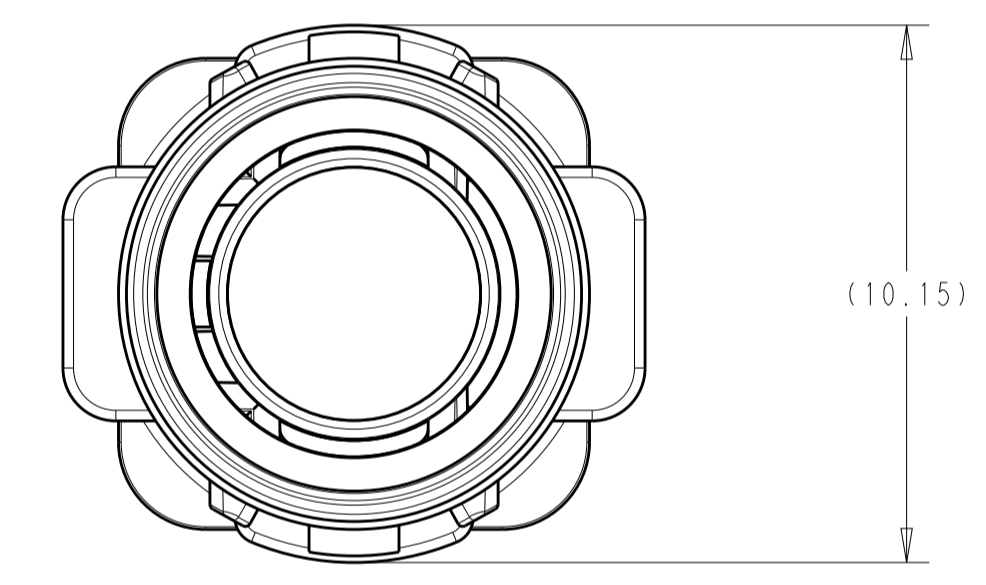
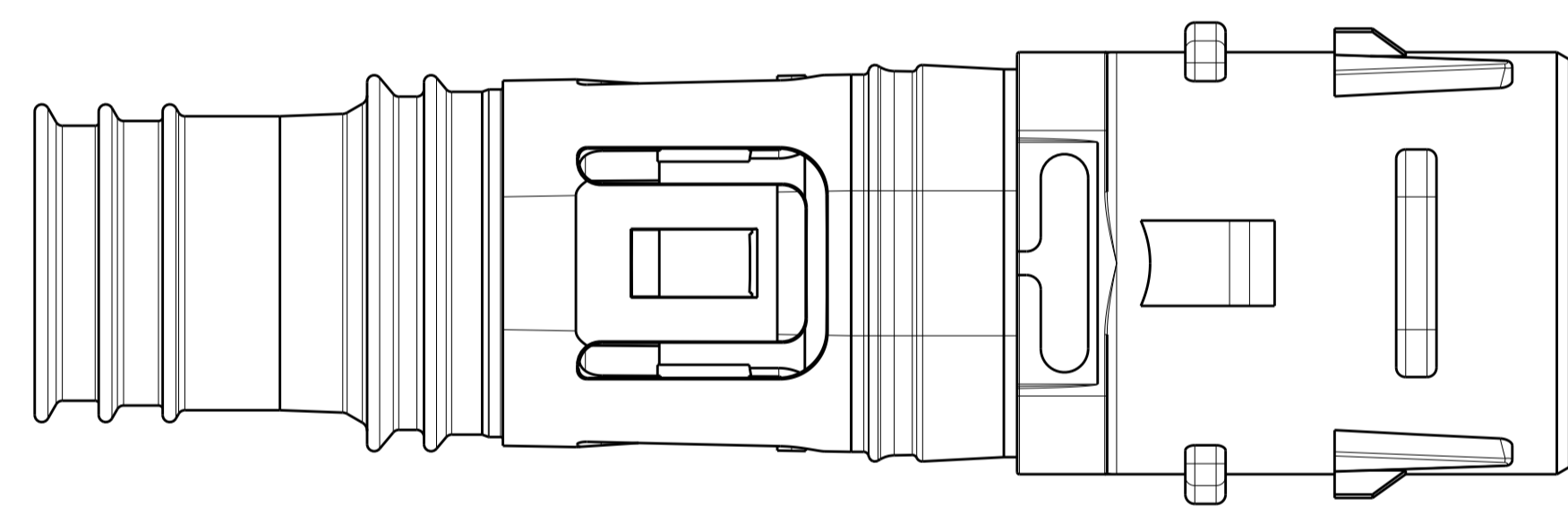
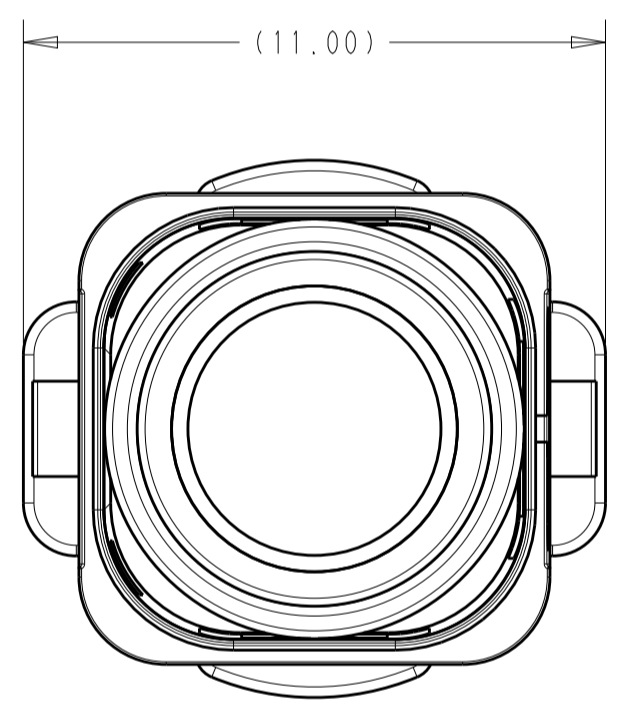


REVISIONS				
P.	LTR.	DESCRIPTION	DATE	APVD
A		INITIAL RELEASE	06AUG2020	CN AC



ISOMETRIC VIEWS  
SCALE 4:1



- NOTES:
- 1 HOUSING - POLYESTER PBT BLACK, GLASS FILLED.
  - 2 OVERMOLDED SEAL.
  - 3. COMPONENT TO BE PURCHASED IS 2307194-2.

THIS DRAWING IS A CONTROLLED DOCUMENT.		DWN C. NUNEZ 06AUG2020	2307194-1	2307194-2				
DIMENSIONS:		CHK A. CHOKER 06AUG2020	SEAL QTY: AS REQD	INNER HOUSING QTY: 1				
TOLERANCES UNLESS OTHERWISE SPECIFIED:		APVD A. CHOKER 06AUG2020	PART NUMBER					
mm	0 PLC ±	PRODUCT SPEC						
	1 PLC ±	APPLICATION SPEC						
	2 PLC ±	114-32145						
	3 PLC ±	WEIGHT						
	4 PLC ±	FINISH	SIZE	CAGE CODE	DRAWING NO	RESTRICTED TO		
	ANGLES ±	CUSTOMER DRAWING	A	00779	©=2307194-C			
			SCALE	8:1	SHEET	1 OF 1	REV	A