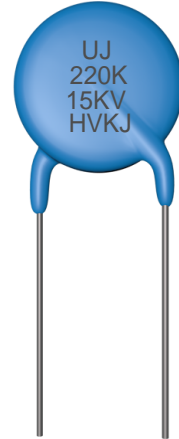




CC82-UJ44C220KD6LB

特征 Features

- 符合认证标准： GB/T 5966 / IEC 384-8
Compliant with certification standards: GB/T 5966 / IEC 384-8
- 损耗值小。 Small loss value.
- 容量稳定。 Stable capacity.
- 耐高电压。 Resistant to high voltage.
- 抗高频率。 Anti high frequency.
- 符合环保认证标准。 Compliant with RoHS certification standards.



应用 Applications

- 用于要求损耗值小、容量稳定性要求较高的电路中：
谐振回路、高频旁路、温度补偿、控制电路等。

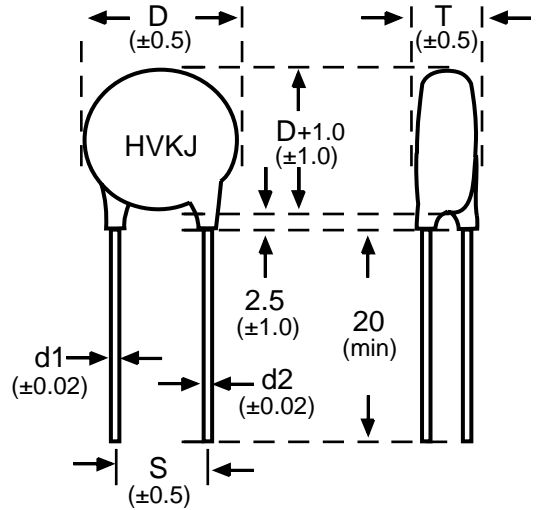
Used in circuits that require low loss values and high capacity stability: resonant circuits, high-frequency bypasses, temperature compensation, control circuits, etc.

尺寸 Size (Unit:mm)

Code	D	T	S	d1,d2
Value	12.8	5.0	7.5	0.6

重量与数量 Weight and Quantity

净重 (大约) Net Weight (Approx)	3.8 克/只 Gram /Pieces
最小包装数量 Min Packaging Qty	200 只/袋 Pieces/Bag



电气特性 Electrical Characteristics:

标称容量 Capacitance	22pF	● 测试频率: Measuring Frequency:	1MHz ± 0.1MHz
额定电压 Rated Voltage (DC)	15kV	● 测试电压: Measuring Voltage:	1.0Vrms ± 0.2V
损耗角正切值 (Tg) Loss angle Tangent Value	UJ(0.002)	● 测试温度: Test Temperature:	25° C ± 2° C
允许误差 Tolerance	± 10%	● 气压: Air Pressure:	86-106kPa
温度特性 Temperature Characteristic	-750 ± 120PPM/° C See ②		
引线间测试电压 Test Voltage Between Leads	1.5UR 1.2UR	1~5kV: 1.5UR. 6kV(up): 1.2UR.	测试时间: Test Time: 5S
绝缘电阻 Insulation Resistance	> 10,000M	测试电压: Test Voltage: 500VDC	施加时间: Application Time: 60S ± 5S
工作温度 Working Temperature	-25/+85° C		
储存温度 Storage Temperature	-40/+105° C		



CC82-UJ44C220KD6LB

零件编号解释 Part Numbering Notes

CC82 - UJ4 4C 220 K D6L B
① ② ③ ④ ⑤ ⑥ ⑦

① 电容器类别 Capacitor Category

代码 Code	介质类别 Dielectric Type	容量范围 Capacity Range	高压分类 High Voltage Type	电压范围 Voltage Range
CT81	II 类 高压高介电质 常数电容器 HV High Dielectric Constant Capacitor	100pF~ 100,000pF	高压电容器 High Voltage Capacitor	1kV~8kV(DC)
CT82		100pF~ 10,000pF	超高压电容器 Ultra-High Voltage Capacitor	10kV~40kV(DC)
CC81	I 类 高压温度补偿型 低损耗介质电容器 HV temperature compensation type low loss dielectric capacitor	3pF~ 1,000pF	高压电容器 High Voltage Capacitor	1kV~8kV(DC)
CC82		10pF~ 100pF	超高压电容器 Ultra-High Voltage Capacitor	10kV~25kV(DC)

② 温度系数 I Temperature Coefficient

温度系数 Temperature Coefficient				允许偏差 Allowable Deviation		工作温度 Working Temperature	
代码 Code	10 ⁻⁶ ° C	代码 Code	10 ⁻⁶ ° C	代码 Code	10 ⁻⁶ ° C	代码 Code	° C
A	+100	S	-330	G	± 30	1	-55/+125
C	0	T	-470	H	± 60	2	-40/+105
H	-33	■ U	-750	■ J	± 120	3	-40/+85
L	-75	Q	-1000	K	± 250	■ 4	-25/+85
P	-150	V	-1500			5	+10/+85
R	-220						

③ 直流电压代码 DC Voltage Code

代码 Code	A	B	C	D	E	F	M	G	H	J	K
3*	1,000	1,200	1,500	2,000	2,500	3,000	3,500	4,000	5,000	6,000	8,000
4*	10,000	12,000	15,000	20,000	25,000	30,000	35,000	40,000	50,000	60,000	80,000

④ 标称容量 Rated Capacitance

2 2 0 = 22 x 1 = 22pF

▶ 第三位数字表示倍数。(0= x1; 1= x10; 2= x100; 3= x1,000; 4= x10,000; 5= x100,000...)
Third bit representation multiple.
第一位与第二位为有效数字。
The first and second digits are significant figures.



CC82-UJ44C220KD6LB

5 容量误差代码 Capacitance Tolerance Code

代码 Code	<10pF			≥10pF						
	B	C	D	F	G	J	K	M	S	Z
允许误差 Tolerance	±0.10pF	±0.25pF	±0.50pF	±1%	±2%	±5%	±10%	±20%	-20/+50%	-20/+80%

6 引线类型代码 Lead Type Code

代码 Code	引线距离
	Lead Spacing
B	5.0mm ±1.0
D	7.5mm ±1.0
E	10.0mm ±1.0
F	12.5mm ±1.0

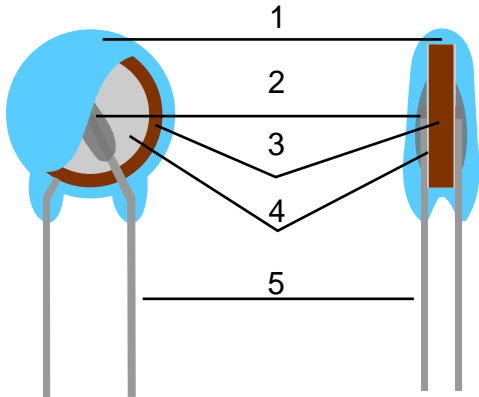
代码 Code	引线直径
	Lead Diameter
5	0.5mm ±0.05
6	0.6mm ±0.05
7	0.7mm ±0.05
8	0.8mm ±0.05

代码 Code	引线长度
	Lead Length
L	Long Lead 20mm(Min)
S	Short Lead 10mm(Min)

7 包装代码 Packaging Code

代码 Code	B	T
注释 Note	薄膜袋包装 (散装) / Film Bag Packaging (Bulk)	纸盒包装 (编带) / Paper Box Packaging (Taping)

产品结构 Product Structure



1	封装层：环氧树脂 Encapsulation Envelope: Epoxy
2	焊接点：无铅焊锡 Solder Joint: Lead-Free Tin Solder
3	电极：银/铜 Electrode: Ag / Cu
4	瓷体：陶瓷介质 Ceramic Body: Ceramic Medium
5	引线材质：铜线 Lead Material: Copper Wire

温度特性曲线图 Typical Temperature Characteristics Curve

