

**Features:**

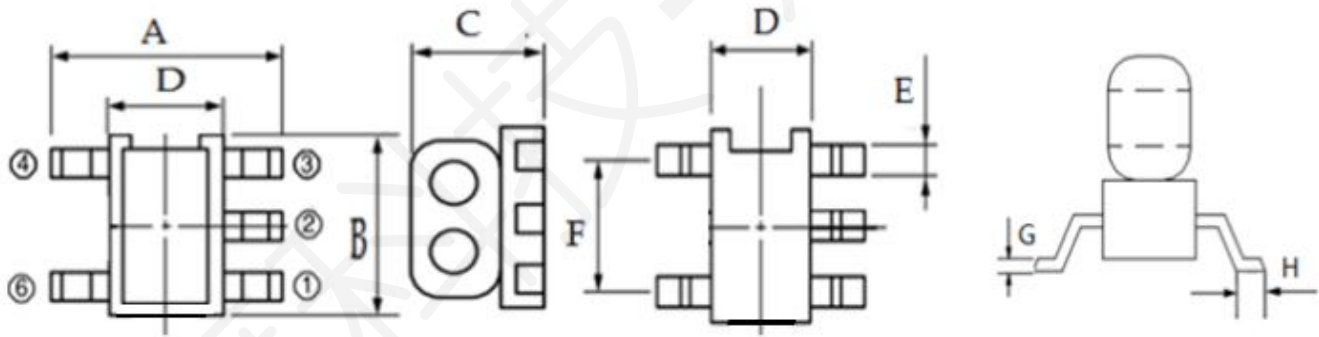


- ◆ Frequency Range: 5 to 1000 MHz
- ◆ Surface mount and available in tape and reel
- ◆ 260°C reflow compatible
- ◆ RoHS Compliant and Pb free
- ◆ Operating temperature range: -40°C to +85°C
- ◆ Storage temperature range: -55°C to +100°C

**Applications:**

- ◆ For catv
- ◆ For broadband and wireless communications

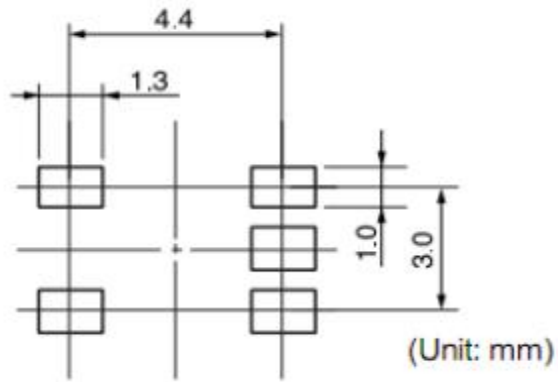
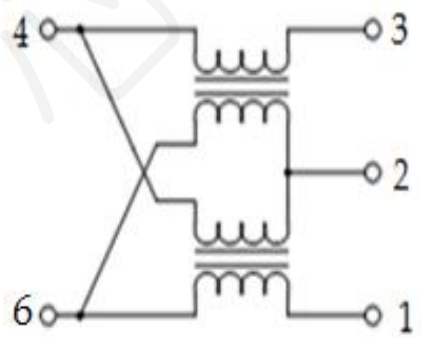
**Dimension diagram (Unit:mm) :**



A=5.10±0.20 B=4.30±0.20 C=3.50Max D=2.60±0.20 E=0.50±0.05 F=3.00±0.10 G=0.25±0.05 H=0.60±0.10

**Electrical structure:**

**Recommended layout(mm):**



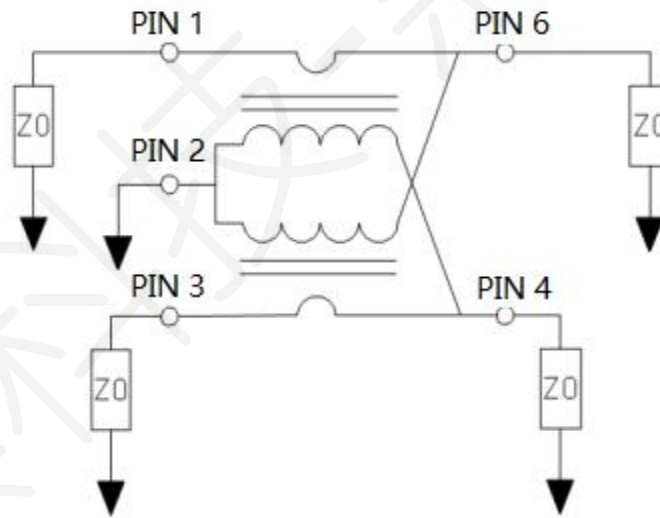
--	--	--	--

Pin configuration



Pin no.	Function
1	Output
2	Ground
3	Isolated
4	Coupled
6	Input

Application circuit :

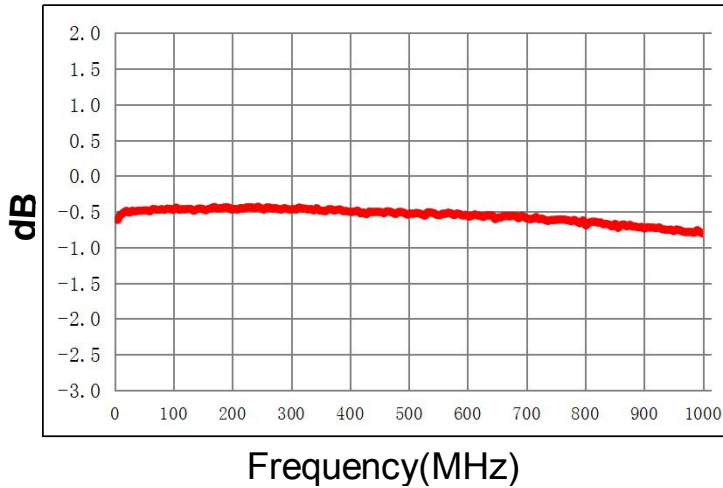


Electrical Specifications:  $T_A = 25^\circ\text{C}$   $Z_0 = 75\Omega$

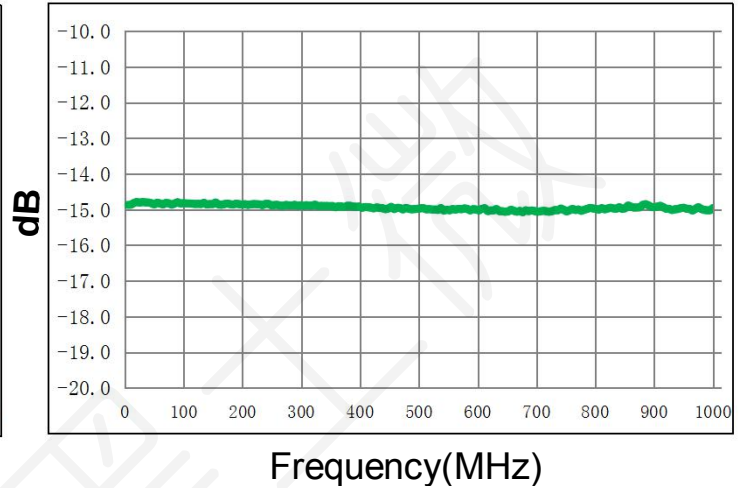
Parameter	Test Conditions	Units	Min	Typ	Max
Main line Loss	5-1000MHz	dB	—	0.5	2.0
Coupling	5-1000MHz	dB	—	15.0	±1.0
Input Return Loss	5-1000MHz	dB	16.0	25.0	—
Output Return Loss	5-1000MHz	dB	16.0	25.0	—
Coupling Return Loss	5-1000MHz	dB	16.0	23.0	—
Isolation	5-1000MHz	dB	20.0	24.0	—



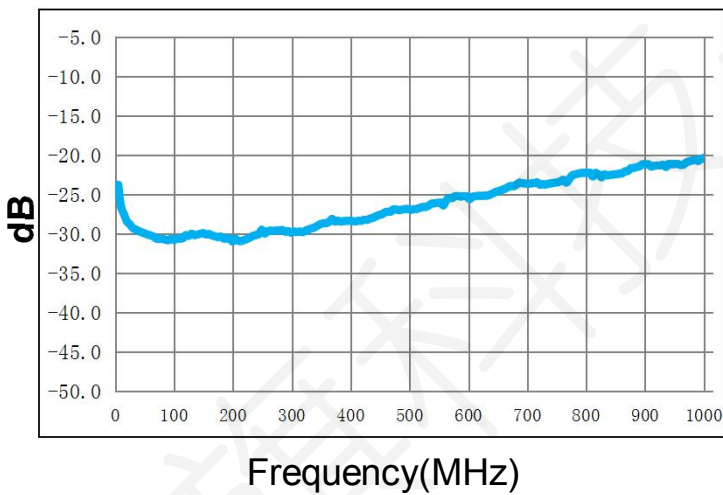
### Main line Loss(pin6-1):



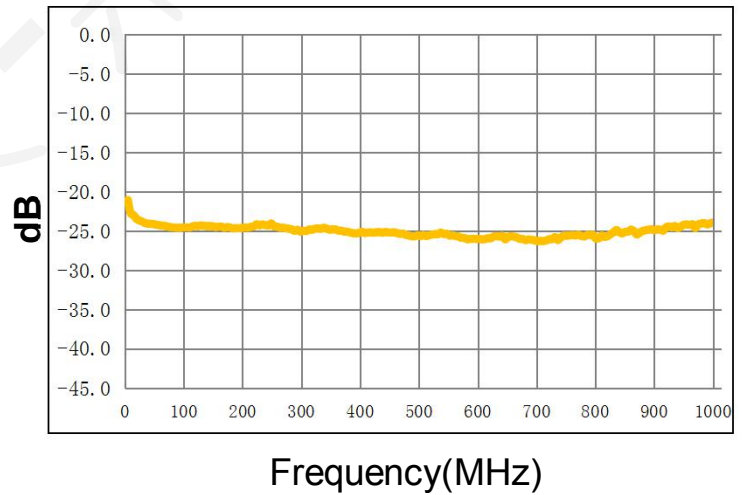
### Coupling(pin6-4):



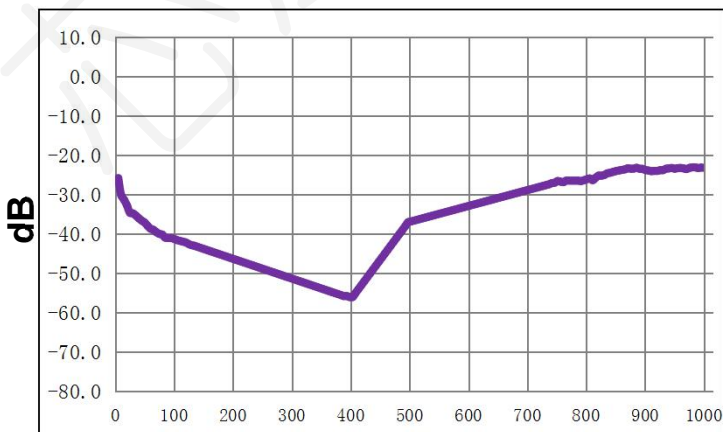
### Input Return Loss (Pin6)



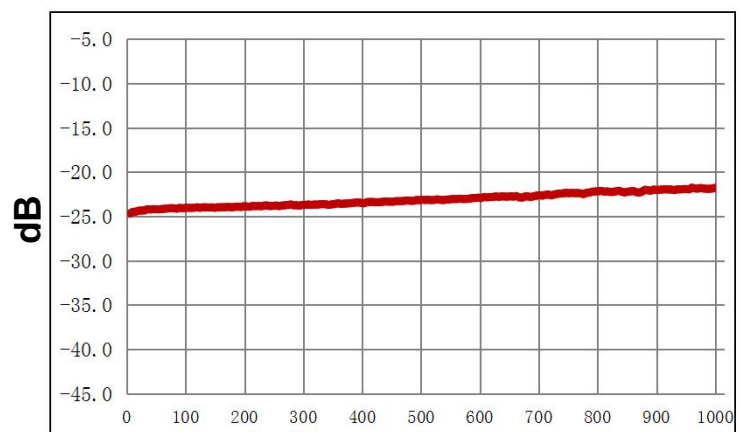
### Output Return Loss (Pin1)



### Coupling Return Loss (Pin4)

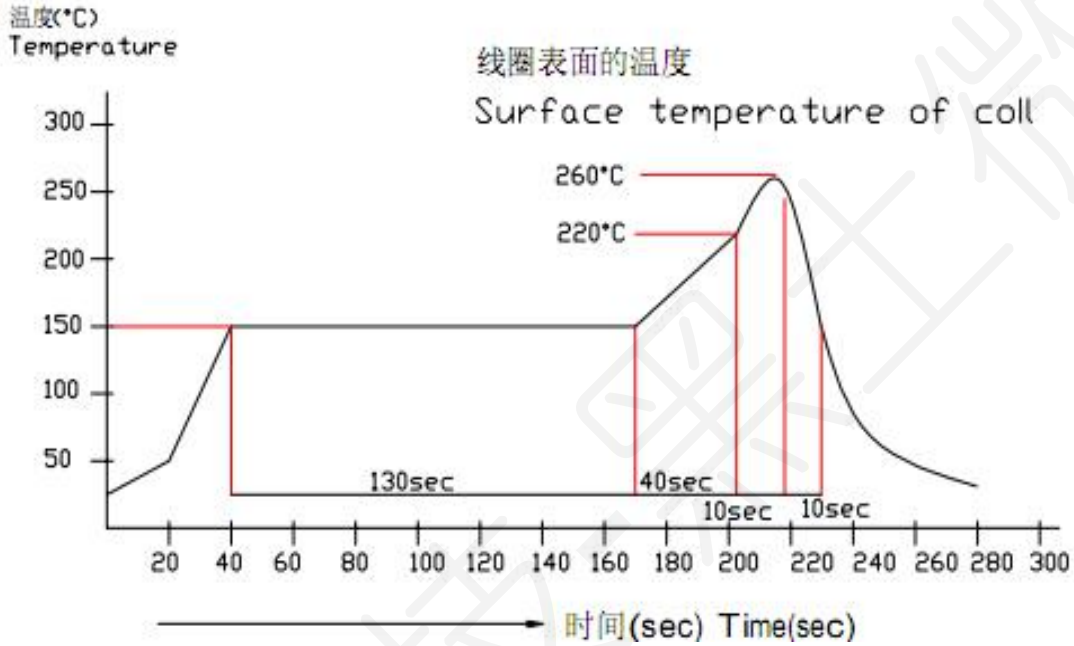


### Isolation (Pin6-3)

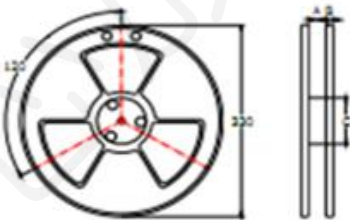
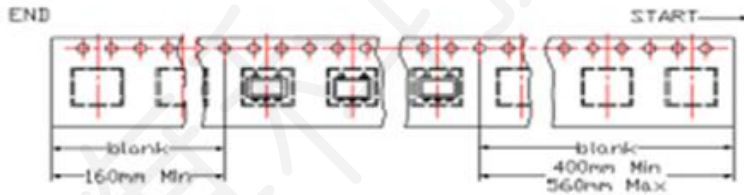


Recommended Soldering Temperature Graph:

建议迴焊条件  
The condition of reflow  
(Recommendation)



Packging Dimension For Caeier Tape(UNIT:mm):



SPEC	8	12	16	24	32	44	56	72
DIM A±0.1	8.5	12.5	16.5	24.5	32.5	44.5	56.5	72.5
DIM B±0.1	2.3	2.3	2.3	2.3	2.3	2.3	2.3	2.3
DIM C±0.1	100	100	100	100	100	100	100	100

QUANTITY

2000PCS/Reel

15 reel/Big carton/60000pcs