

# RF Directional Coupler HTW-007727

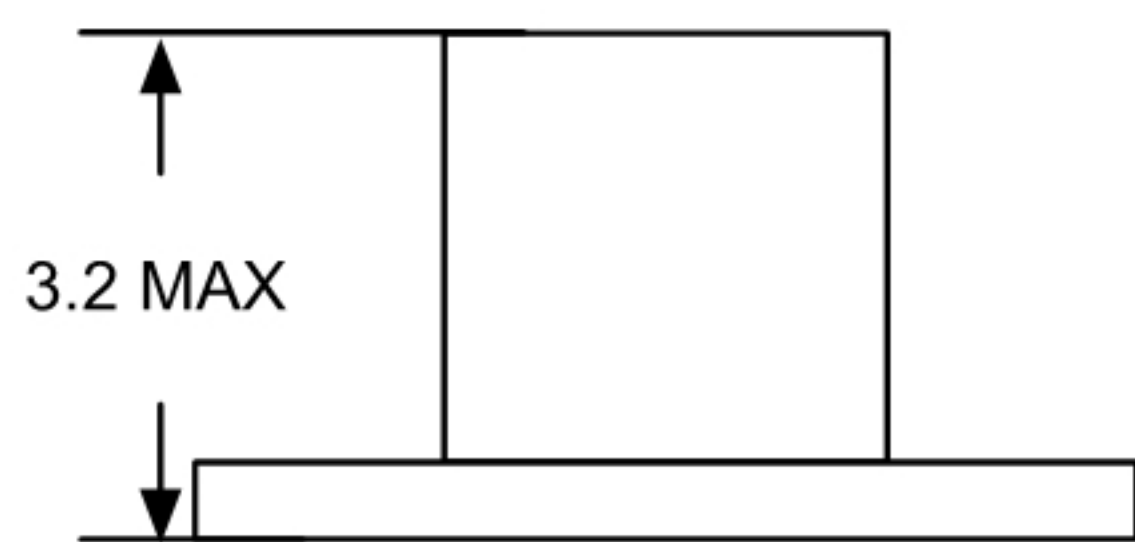
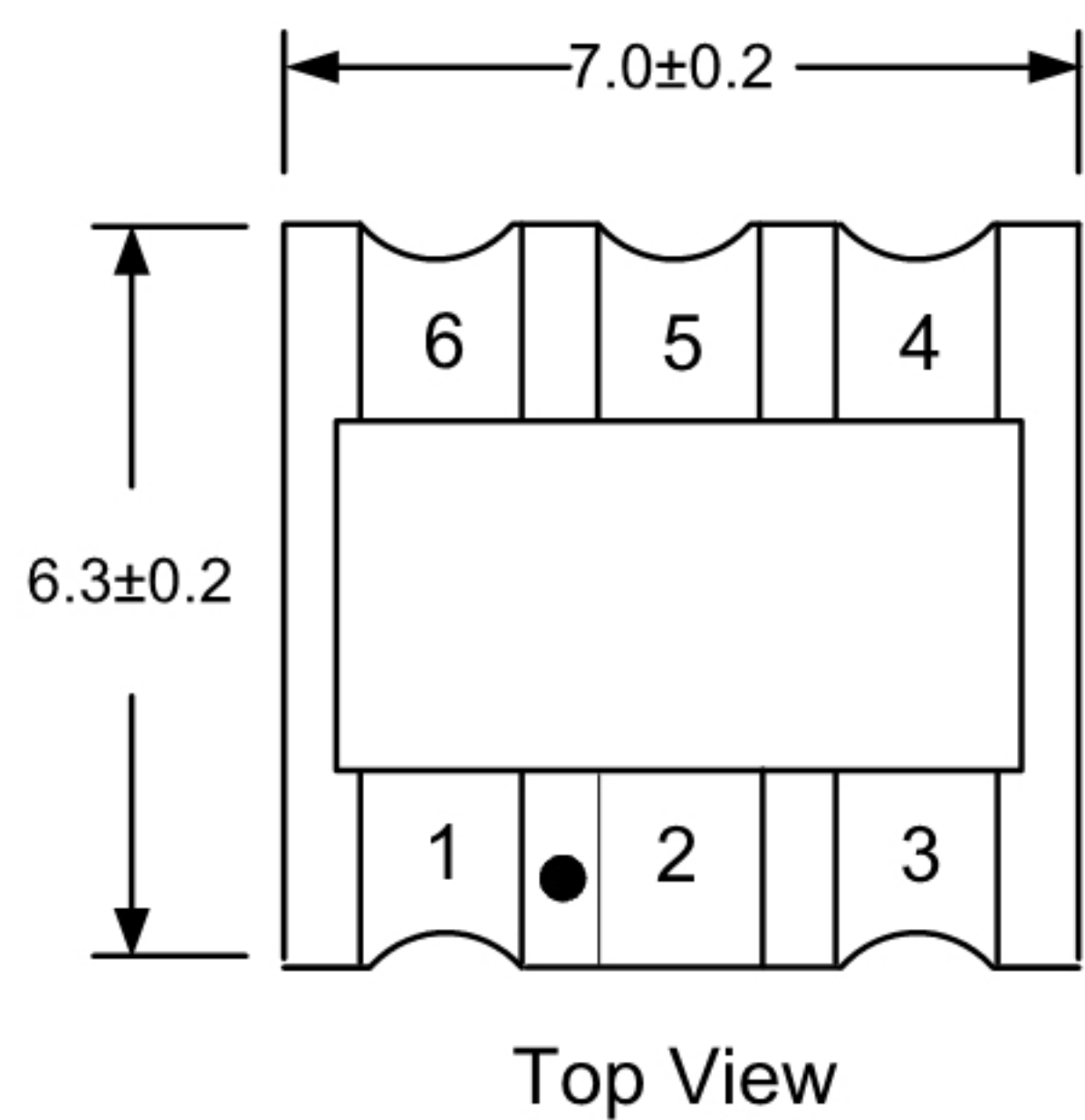


75Ω 18dB Directional Coupler

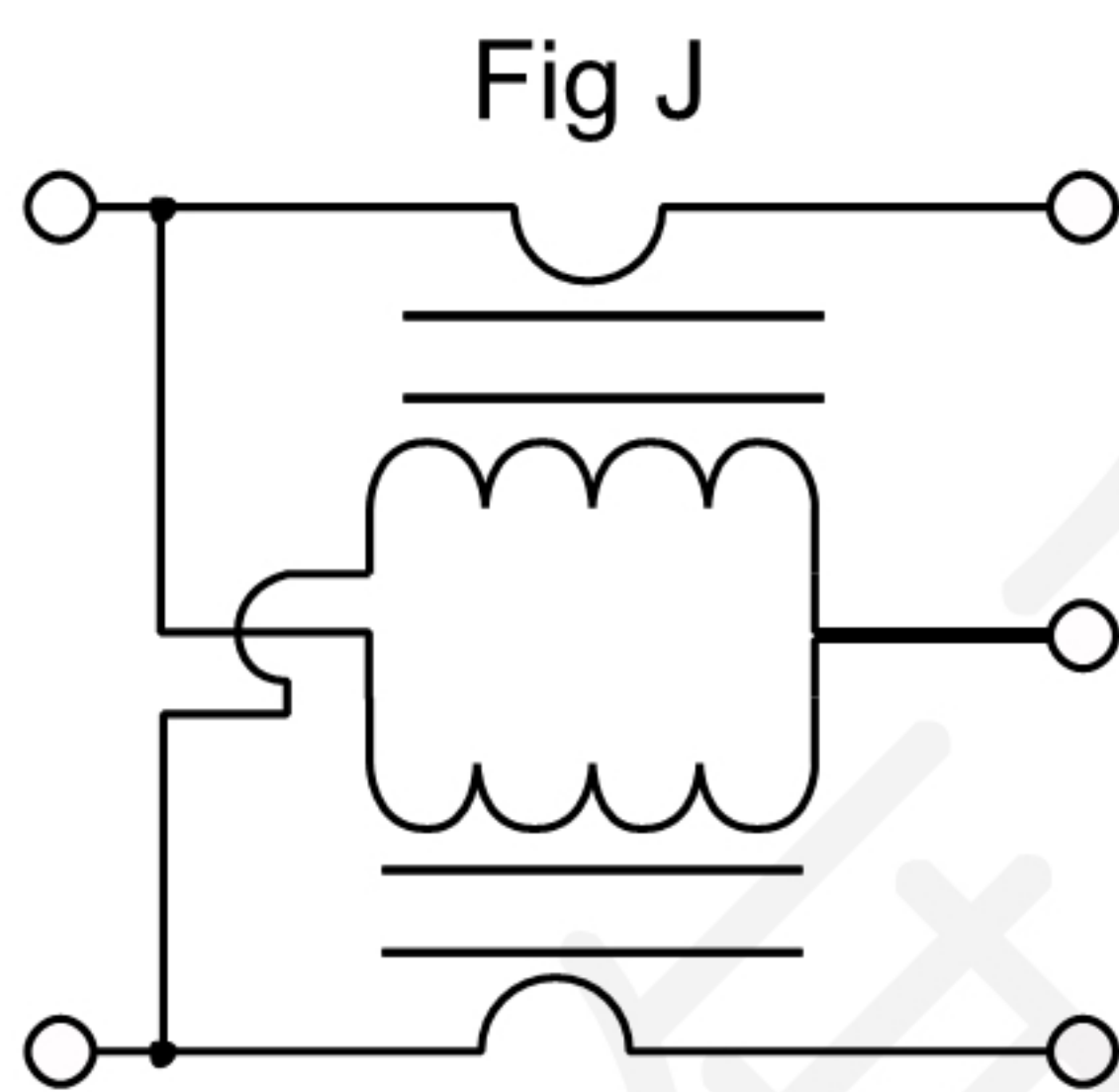
5-1200MHz



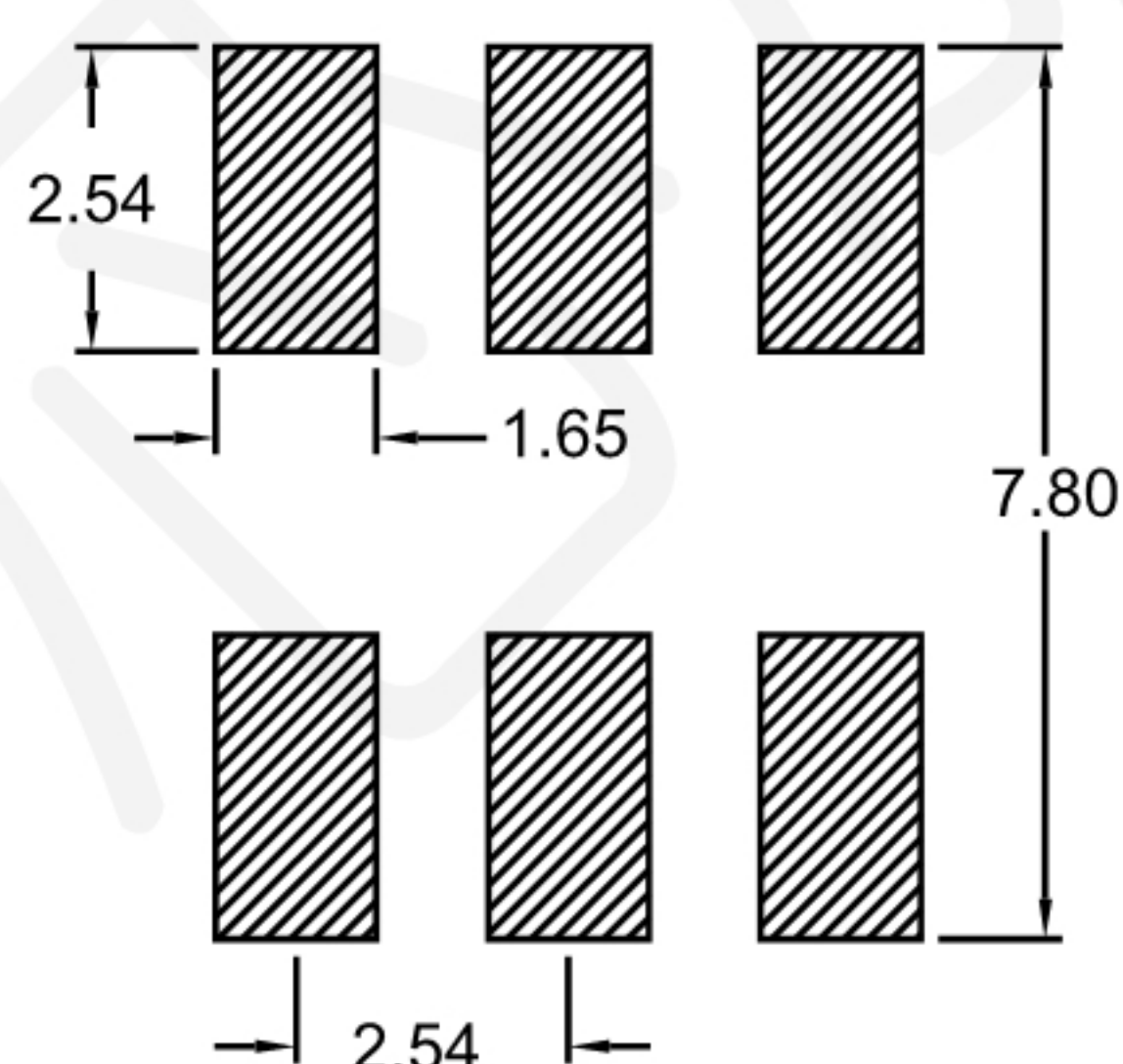
## Outline Drawing(mm)



## Electrical structure



## Recommended layout(mm)



## Pin Connections

Input	1
Coupling	3
Output	6
Ground	2
External 75 Ω	4

## Features

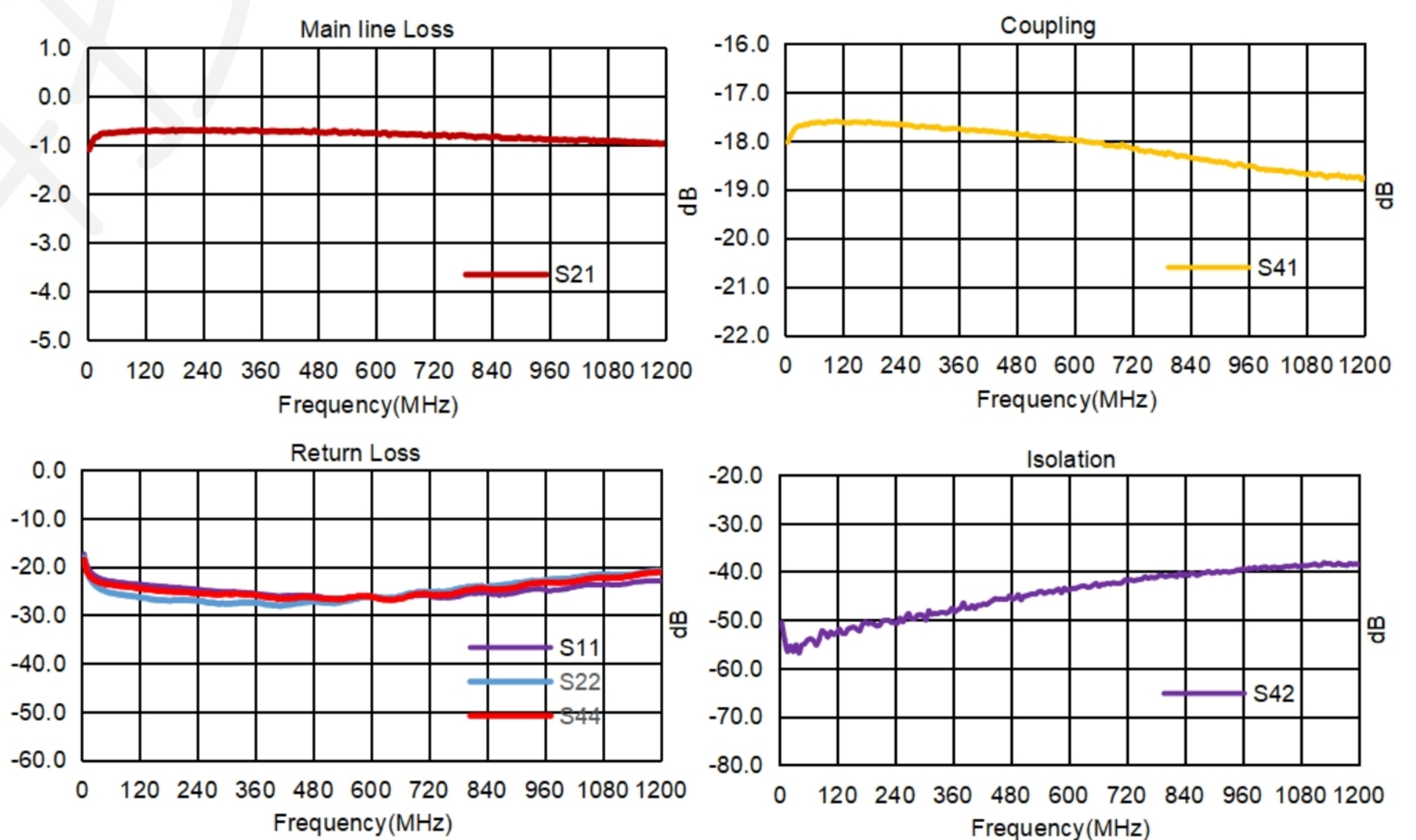
- DC Current:30 mA Max
- Input Power:250 mW Max
- 260°C Reflow Compatible
- RoHS compliant and lead free
- Operating temperature range: -40°C to+85°C
- Storage temperature range: -55°C to +100°C

## Applications

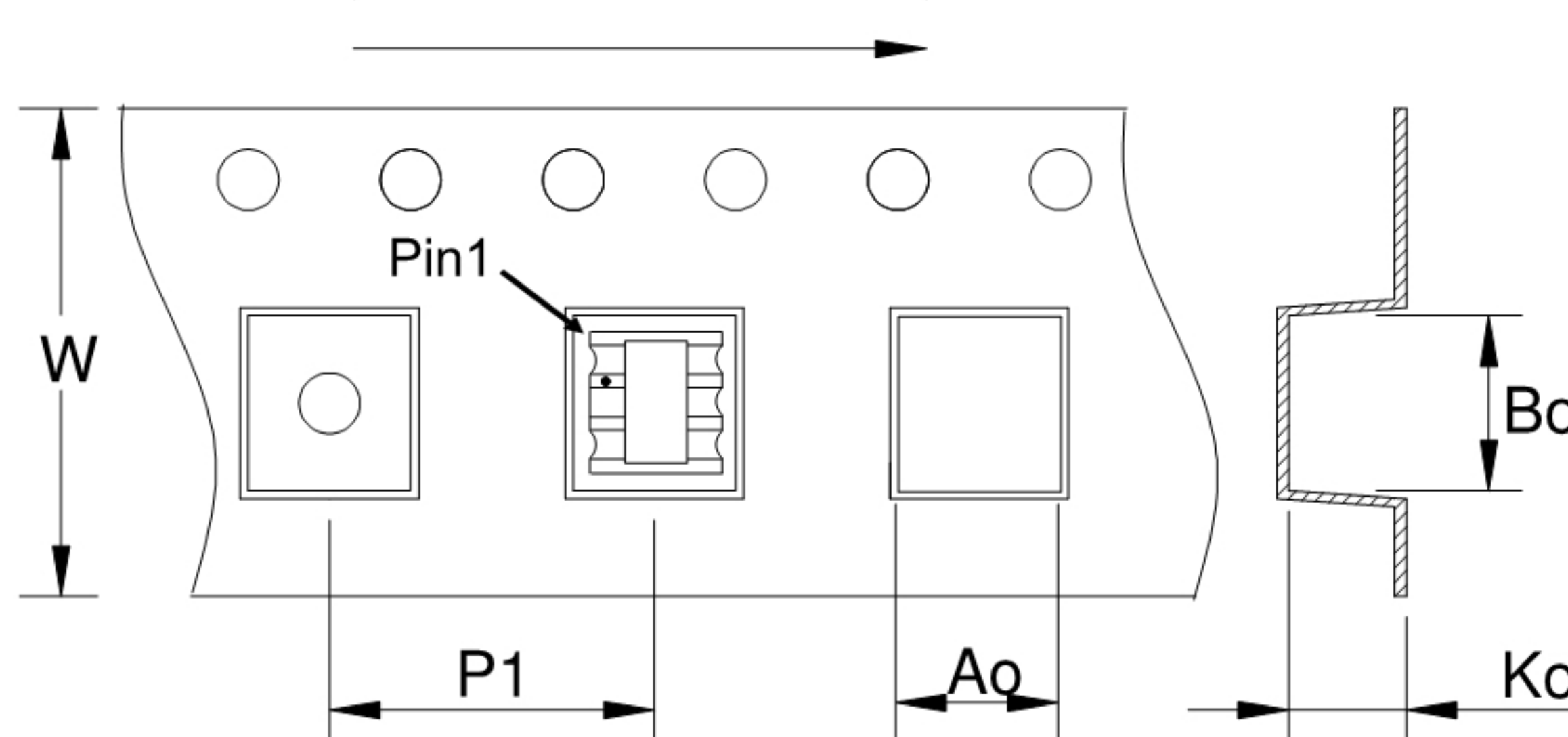
- For Docsis 3.0 & 3.1 Cable Modem.
- For Wideband Push-pull Amplifiers.
- For CATV Amplifiers Module & Set top box.
- For CATV Optical Receivers and Amplifiers.
- For VHF/UHF Transmitters and Push-pull Amplifiers.

## Electrical Specifications:TA=25°C, 0dBm, Z0=75Ω

Parameter	Test Conditions	Units	Min	Typ	Max
Coupling(pin1-3)	5-1200MHz	dB	17.0	18.0	19.0
Main line Loss(pin1-6)	5-1200MHz	dB	—	1.0	1.5
Input Return Loss(pin 1)	5-1200MHz	dB	16.0	20.0	—
Coupling Return Loss(pin3)	5-1200MHz	dB	16.0	20.0	—
Output Return Loss(pin6)	5-1200MHz	dB	16.0	20.0	—
Isolation(pin3-6)	5-1200MHz	dB	28.0	40.0	—



## Carrier Tape Orientation



## Tape & Reel Information

Parameter	Units	Value
Qty per reel	PCS	1500
Reel Size	mm	330
Tape Width	mm	24.00
Pitch	mm	12.00
Ao	mm	7.20
Bo	mm	8.10
Ko	mm	4.20